

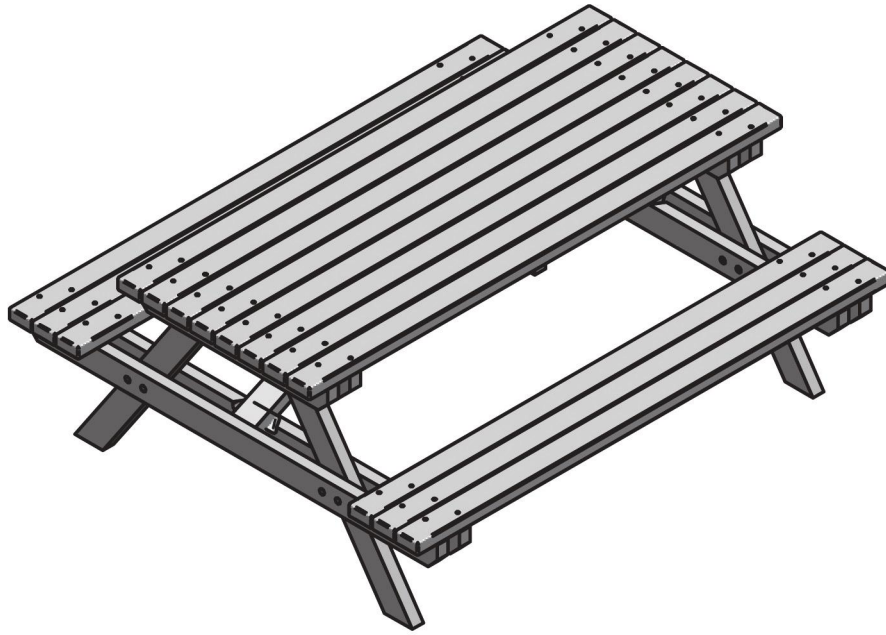
BENITO
-Urban



Picnik

VRM200

Instrucciones de montaje
Instructions de montage
Assembly instructions



ref. DIN603 M8 x16



ref. DIN7982c x76



ref. DIN125A M8 x16



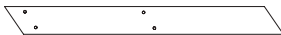
ref. DIN934 M8 x16



ref. 10861 x2
1680mm x 95mm



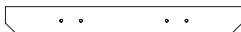
ref. 10857 x4
875mm x 95mm



ref. 10859 x2
1680mm x 95mm



ref. 10869 x2
780mm x 95mm



ref. 10870 x2
780mm x 95mm



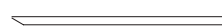
ref. 10870 x14
1940mm x 45mm

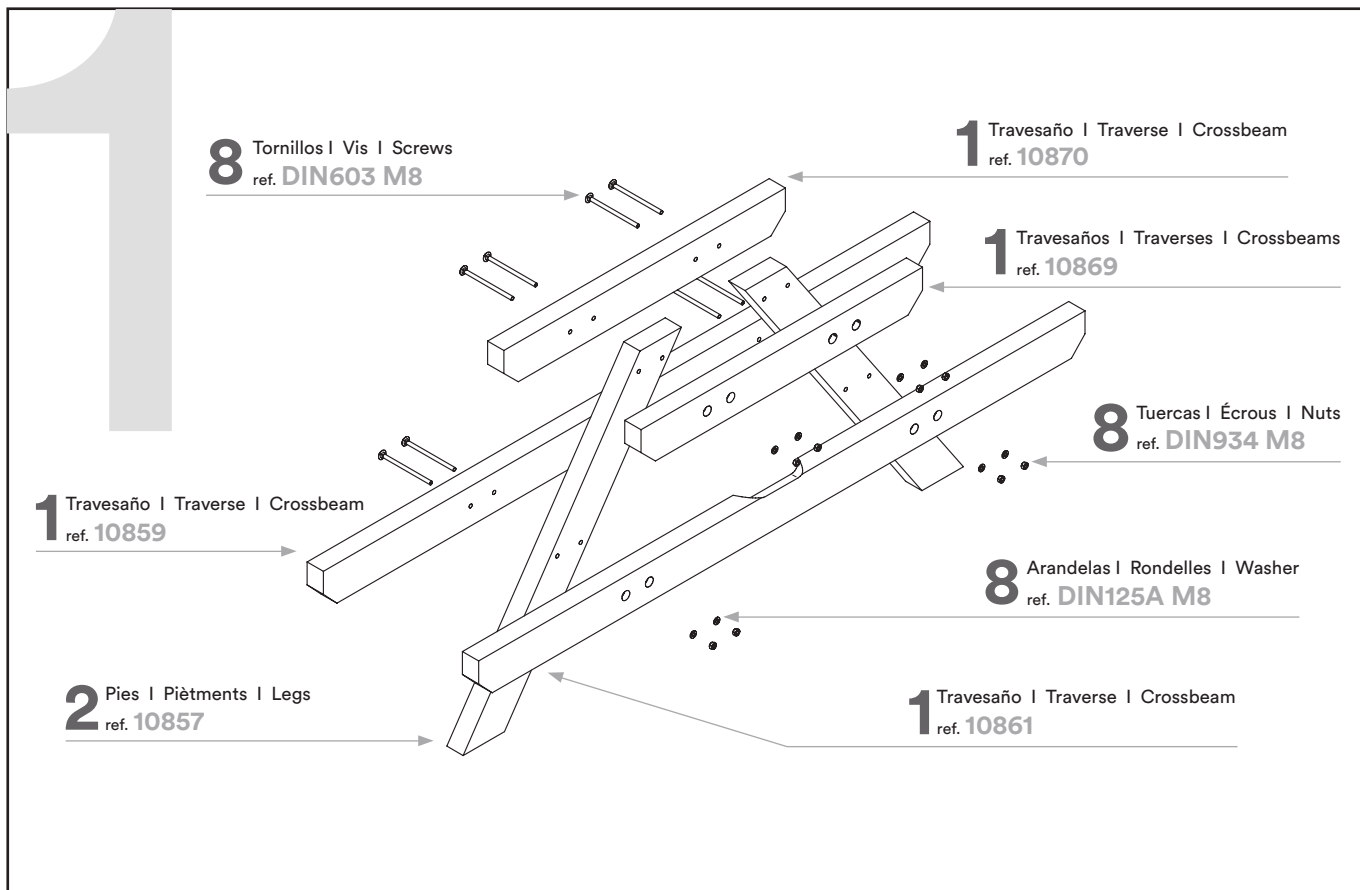


ref. 10865 x2
830mm x 40mm



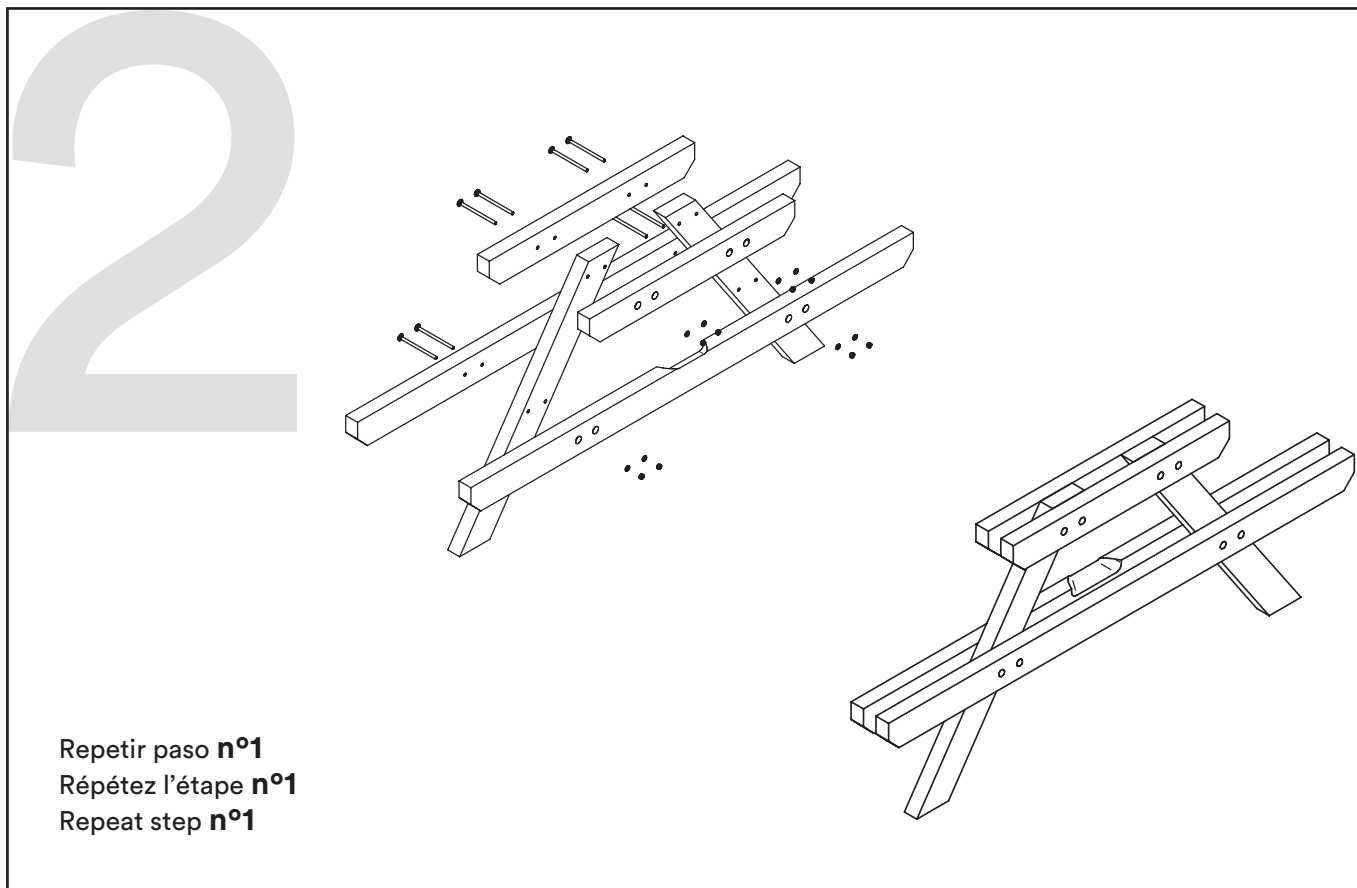
ref. 10872 x1
760mm x 45mm





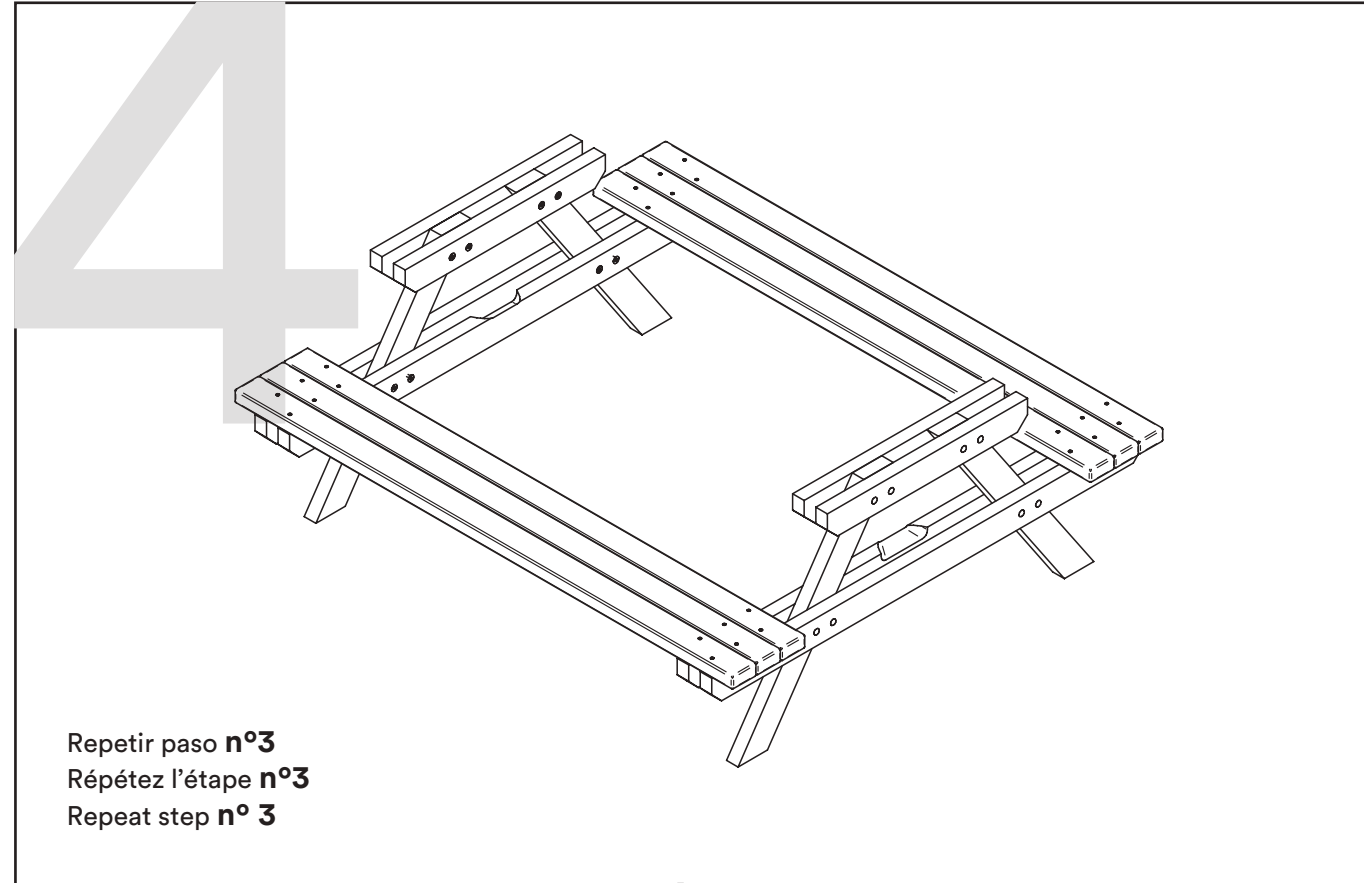
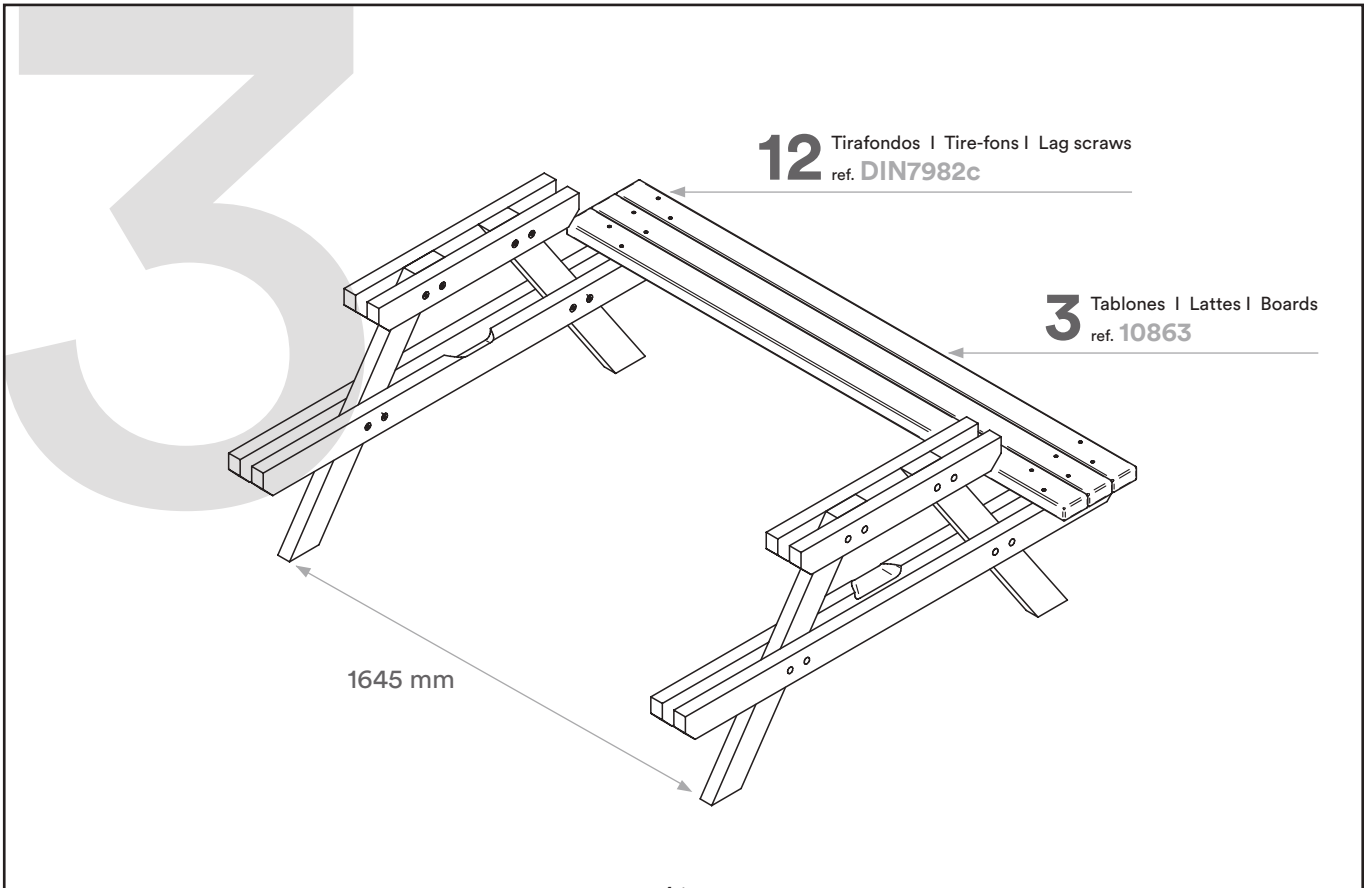
2 / 10

BENITO –Urban –Light –Play –Covers



3 / 10

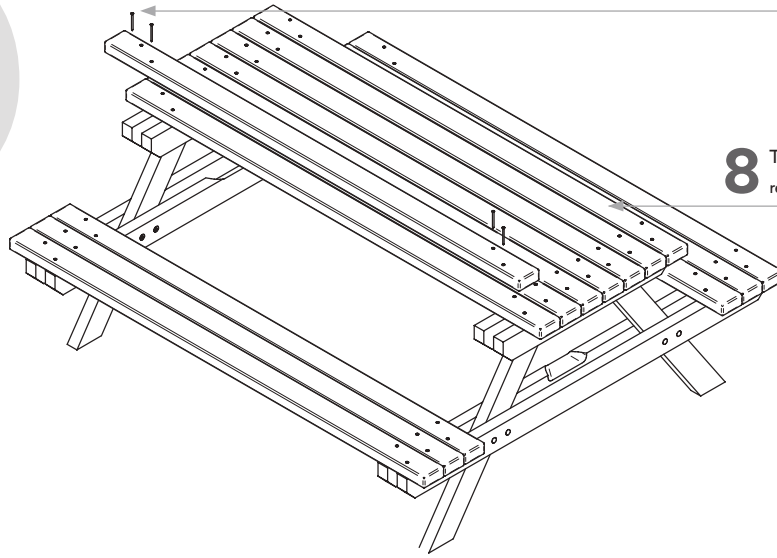
BENITO –Urban –Light –Play –Covers



5

32 Tirafondos | Tire-fons | Lag screws
ref. **DIN7982c**

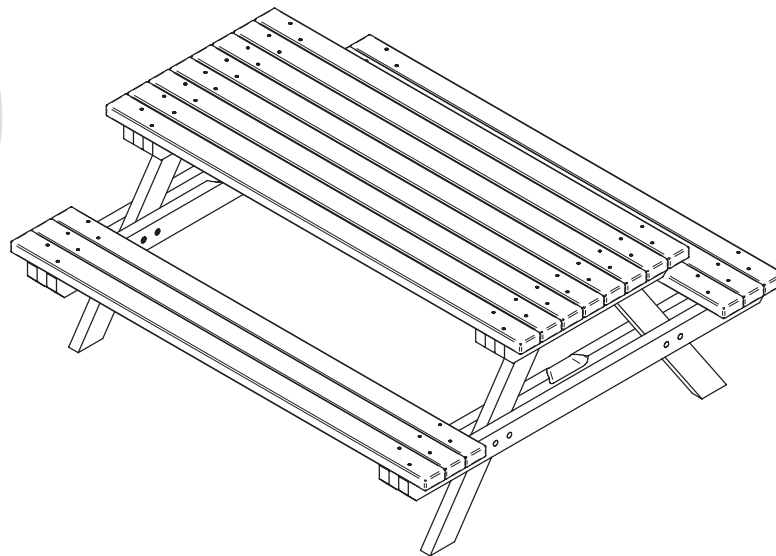
8 Tablones | Lattes | Boards
ref. **10863**



6 / 10

BENITO - Urban - Light - Play - Covers

6



7 / 10

BENITO - Urban - Light - Play - Covers

