

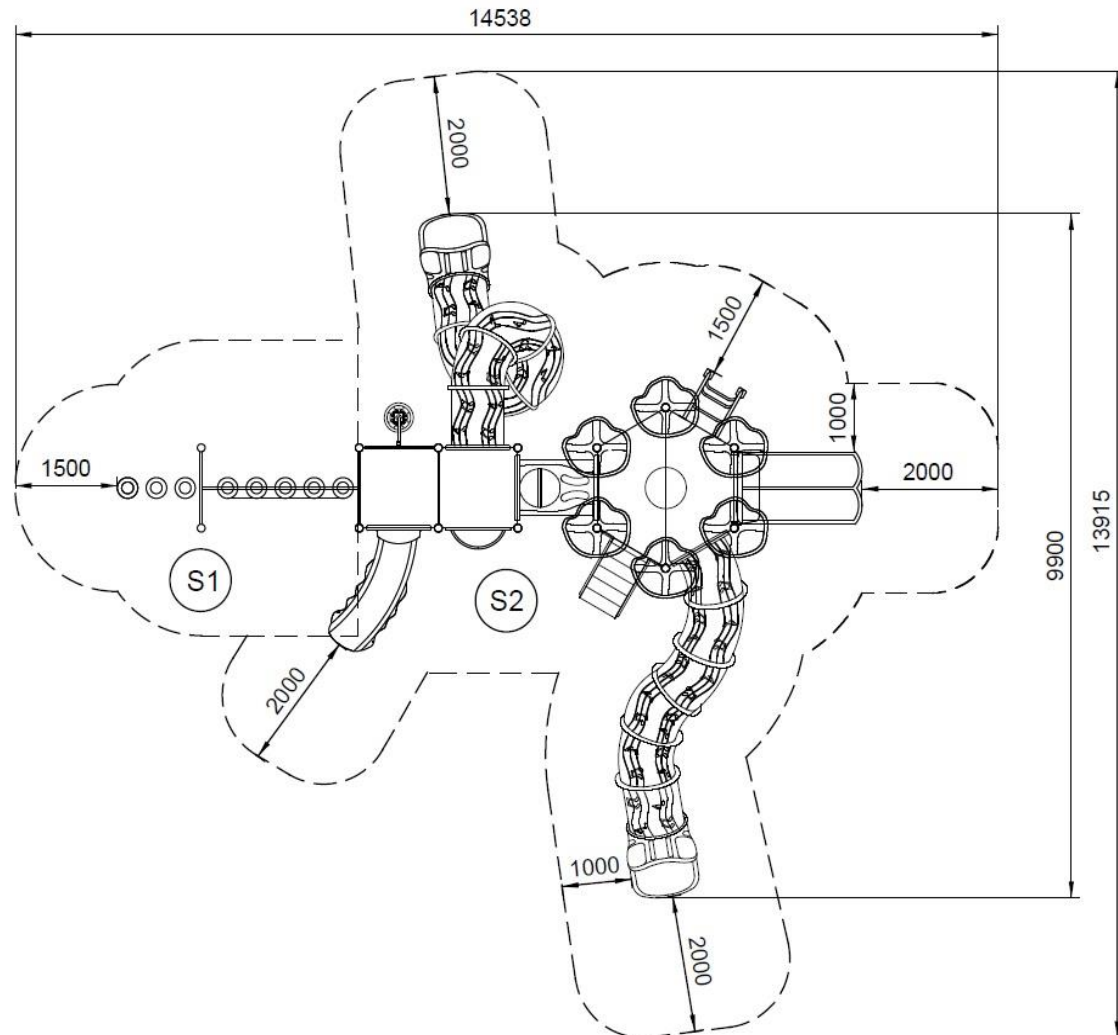
BENITO -Play



Modus XL

JR306

Instrucciones de montaje
Instructions de montage
Assembly instructions

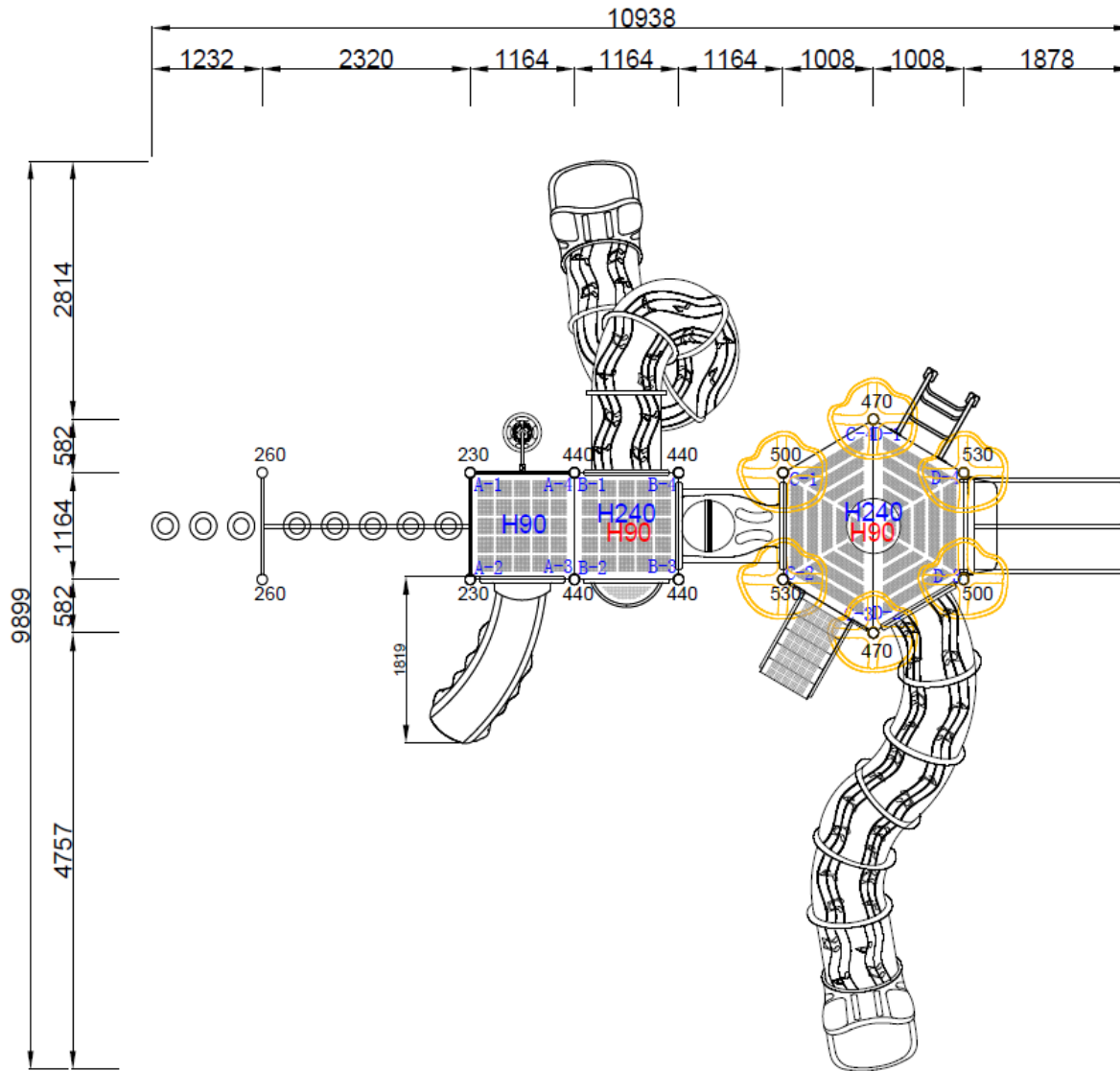


Area de seguridad: 95m2
 Safe area:
 Aire de sécurité:

 Altura max. caída: 0,90m
 Maximum drop high:
 Hauteur maximale de chute:

 Nº usuarios: 30
 Number of users:
 Nombre d'utilisateurs:

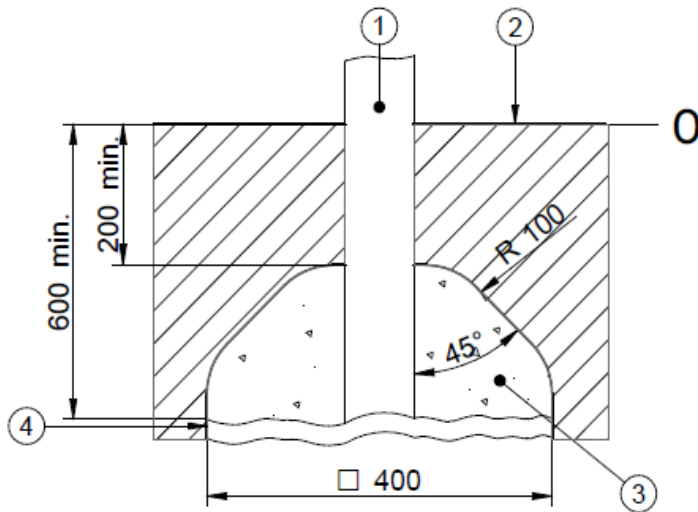
 Edad: 6-14
 Age:



SB

FIJACIÓN A TIERRA | FIXATION AU SOL FIX ON THE FLOOR

1. Poste | Poteau | Post
2. Superficie juego | Surface de jeu | Playing surface
3. Cemento | Scellement | Concrete
4. Capa grave | Sous couche drainante | Grave layer



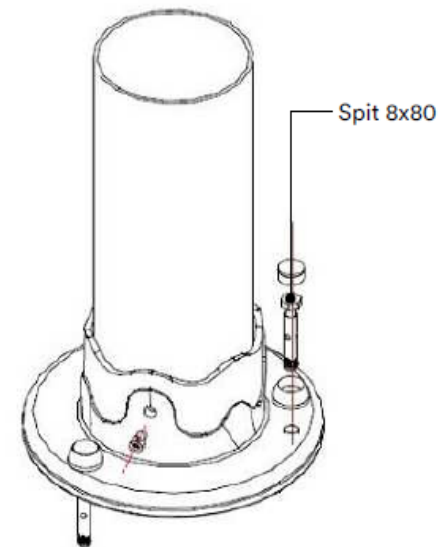
IMPORTANTE: para el montaje y cimentación del juego son necesarias herramientas empleadas habitualmente en la construcción.

IMPORTANT: pour le montage et le scellement du jeu prévoir l'outillage de maçonnerie courant.

IMPORTANT: for installation and foundation of the game are necessary tools usually employed in the construction.

SD

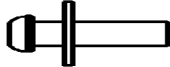
FIJACIÓN A SOLERA | FIXATION AU SOL FIX ON CONCRETE

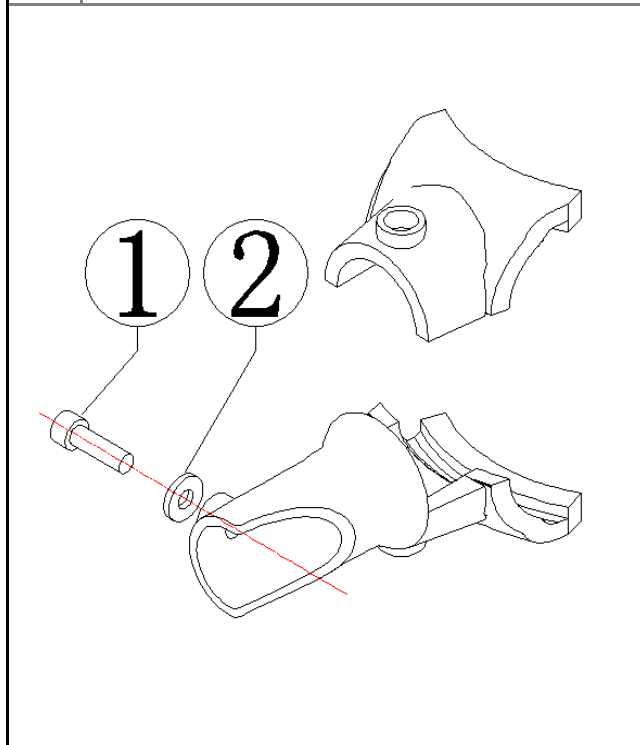


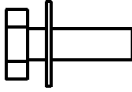
La superficie de juego debe estar cubierta por un suelo que absorba el impacto, según normativa EN-1176-1:2017

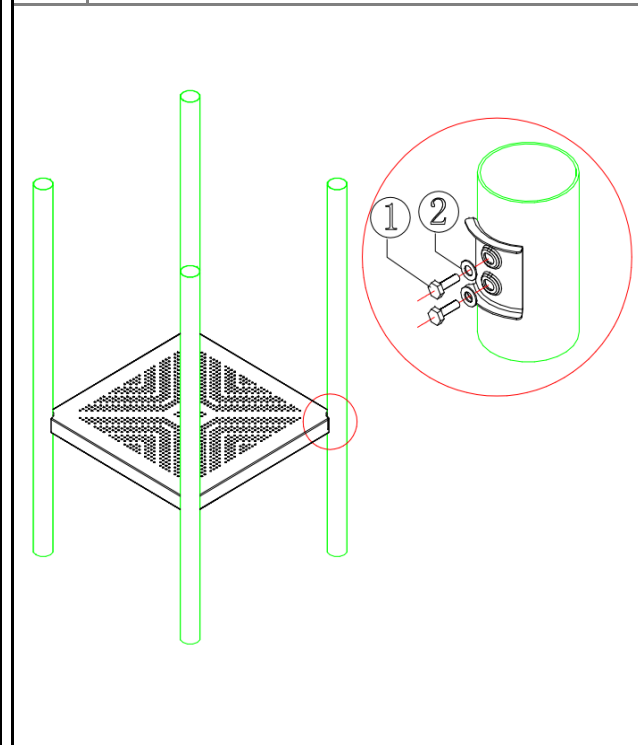
La surface de jeu doit être recouverte de terre pour absorber l'impact, conformément à la réglementation EN 1176-1: 2017

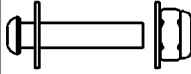
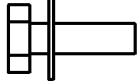
The playing surface must be covered by a floor to avoid the impact, according to standard EN-1176-1: 2017

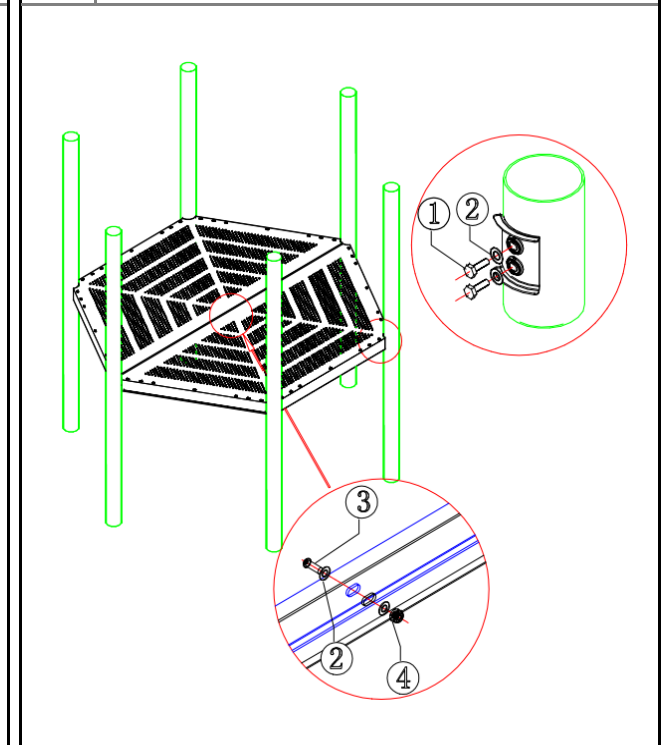
MK-TS001 Abrazadera panel tobogán individual / Single slide door catcher				
No	Name	Specification	Qty	Picture
1	Tornillo/bolt DIN912	M8*20	2	
2	Arandela/washer DIN125	M8	2	
3				
4				
5				
6				
7				
8				
9				
10				
Remark				



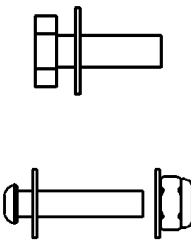
T-P003 Plataforma cuadrada / Square deck				
No	Name	Specification	Qty	Picture
1	Tornillo/bolt DIN933	M10*30	8	
2	Arandela/washer DIN125	M10*2	8	
3				
4				
5				
6				
7				
8				
9				
10				
Remark				

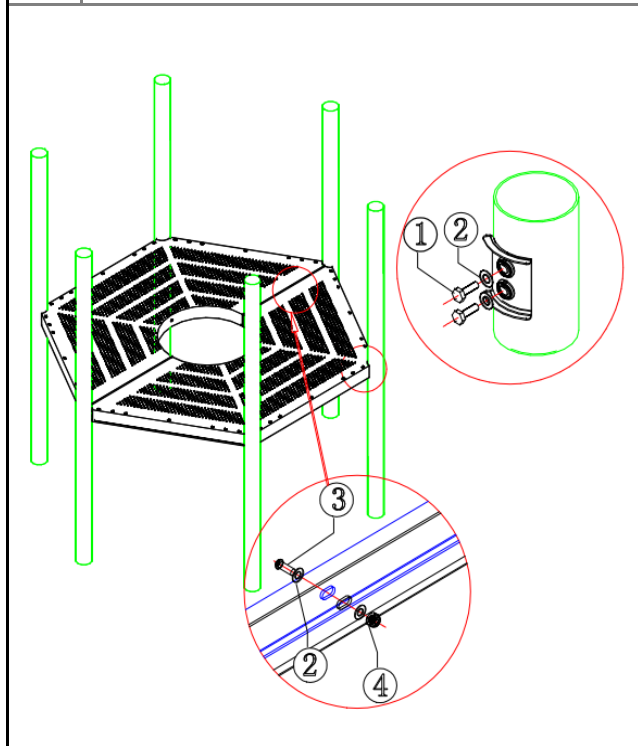


T-P006 Plataforma hexagonal / Hexagonal deck				
No	Name	Specification	Qty	Picture
1	Tornillo/bolt DIN933	M10*30	16	 
2	Arandela/washer DIN125	M10*2	30	
3	Tornillo/bolt DIN7380	M10*25	7	
4	Clamp Tuerca/nut	M10	7	
5				
6				
7				
8				
9				
10				
Remark				

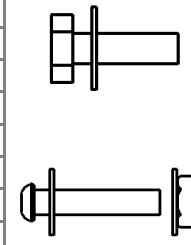


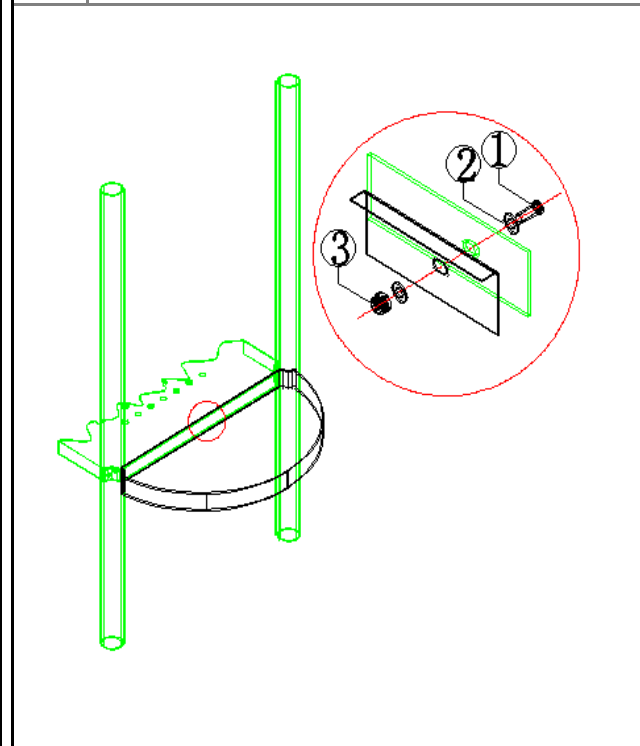
T-P007
Plataforma hexagonal con agujero / Hexagonal deck with hole

No	Name	Specification	Qty	Picture
1	Tornillo/bolt DIN933	M10*30	16	
2	Arandela/washer DIN125	M10*2	28	
3	Tornillo/bolt DIN7380	M10*25	6	
4	Clamp Tuerca/nut	M10	6	
5				
6				
7				
8				
9				
10				
Remark				

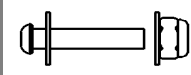


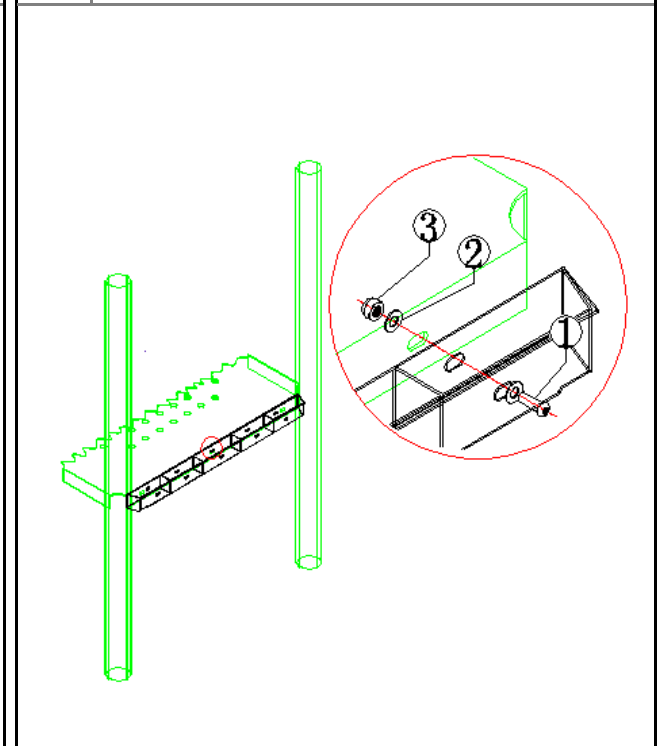
T-P007
Plataforma hexagonal con agujero / Hexagonal deck with hole

No	Name	Specification	Qty	Picture
1	Tornillo/bolt DIN7380	M10*30	5	
2	Arandela/washer DIN125	M10*2	10	
3	Tuerca/nut	M10*30	5	
4				
5				
6				
7				
8				
9				
10				
Remark				

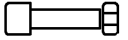
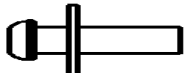
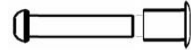


T-P033
Placa plataforma para tobogán doble / Double slide dam board

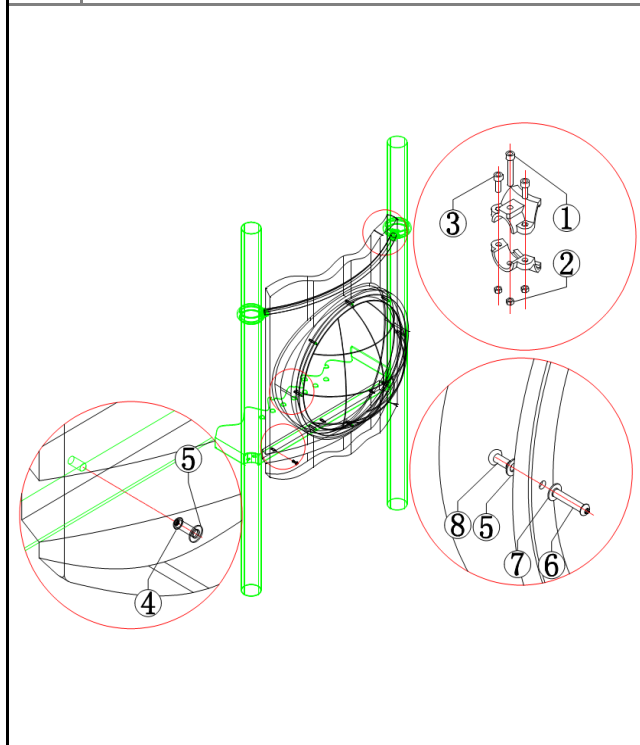
No	Name	Specification	Qty	Picture
1	Tornillo/bolt DIN7380	M10*25	5	
2	Arandela/washer DIN125	M10	10	
3	Tuerca/nut DIN985	M10	5	
4				
5				
6				
7				
8				
9				
10				
Remark				



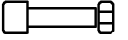

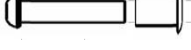
S-XM069
Panel curvo Azul (cúpula metracilato)/Bend round panel (with mirror)

No	Name	Specification	Qty	Picture
1	Tornillo/bolt DIN912	M6*45	2	
2	Tuerca/nut	M6	6	
3	Tornillo/bolt DIN912	M6*14	4	
4	Tornillo/bolt DIN7380	M10*20	3	
5	Arandela/washer DIN125	M10*2	11	
6	Tornillo/bolt DIN7380	M8*55	8	
7	Arandela/washer DIN125	M8*2	8	
8	Tornillo tapon/bolt cap DIN7380	M10*25	8	
9				
10				

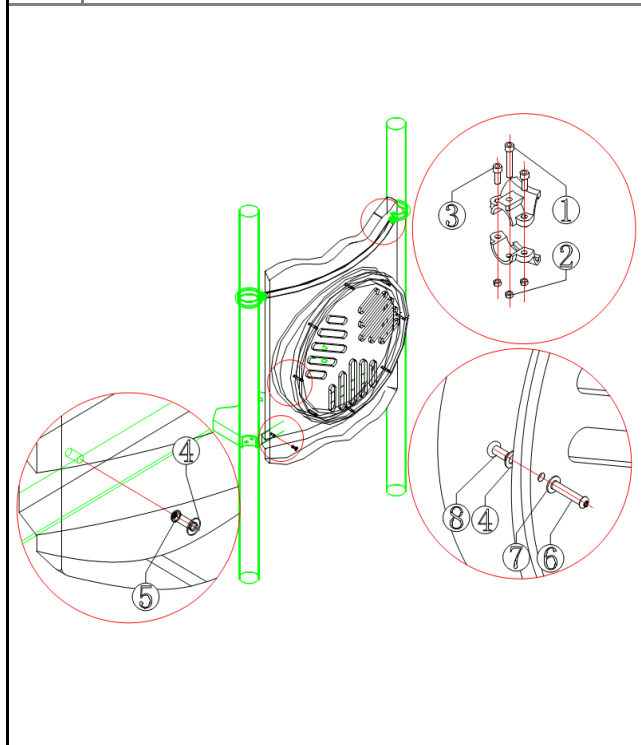
Remark



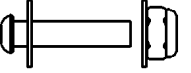


S-XM070
Panel curvo Azul (con placa HDPE) /Bend round panel (with PE board)

No	Name	Specification	Qty	Picture
1	Tornillo/bolt DIN912	M6*45	2	
2	Tuerca/nut	M6	6	
3	Tornillo/bolt DIN912	M6*14	4	
4	Arandela/washer DIN125	M10*2	11	
5	Tornillo/bolt DIN7380	M10*20	3	
6	Tornillo/bolt DIN7380	M8*55	8	
7	Arandela/washer DIN125	M8*2	8	
8	Tornillo tapon/bolt cap DIN7380	M10*25	8	
9				
10				

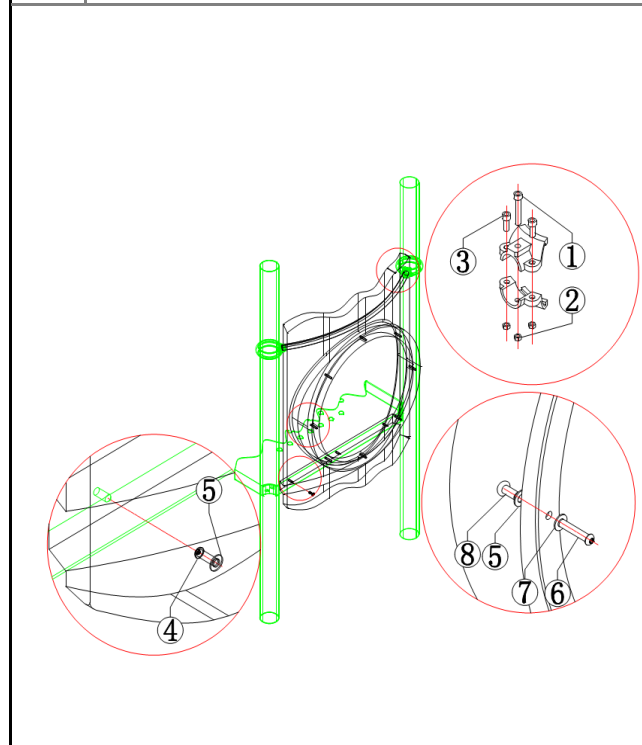
Remark

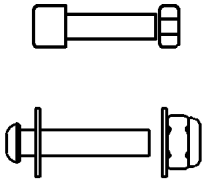
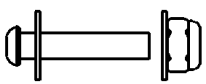


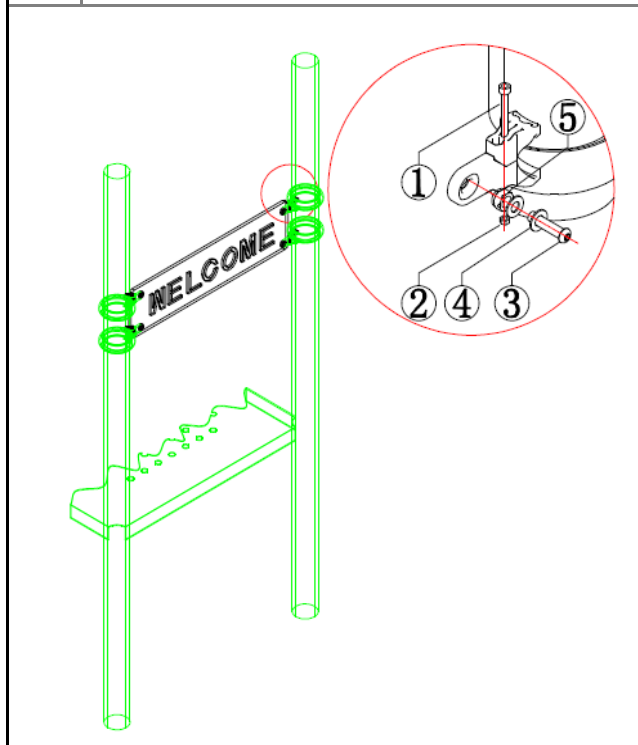
S-XM076
Panel curvo Azul (con tobogán tubo) / Bend round panel (with tube slide)

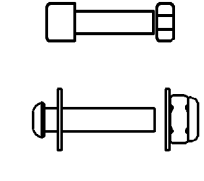

No	Name	Specification	Qty	Picture
1	Tornillo/bolt DIN912	M6*45	2	
2	Tuerca/nut	M6	6	
3	Tornillo/bolt DIN912	M6*14	4	
4	Tornillo/bolt DIN7380	M10*20	3	
5	Arandela/washer DIN125	M10*2	15	
6	Tornillo/bolt DIN7380	M8*55	12	
7	Arandela/washer DIN125	M8*2	12	
8	Tornillo tapon/bolt cap DIN7380	M10*25	12	
9				
10				

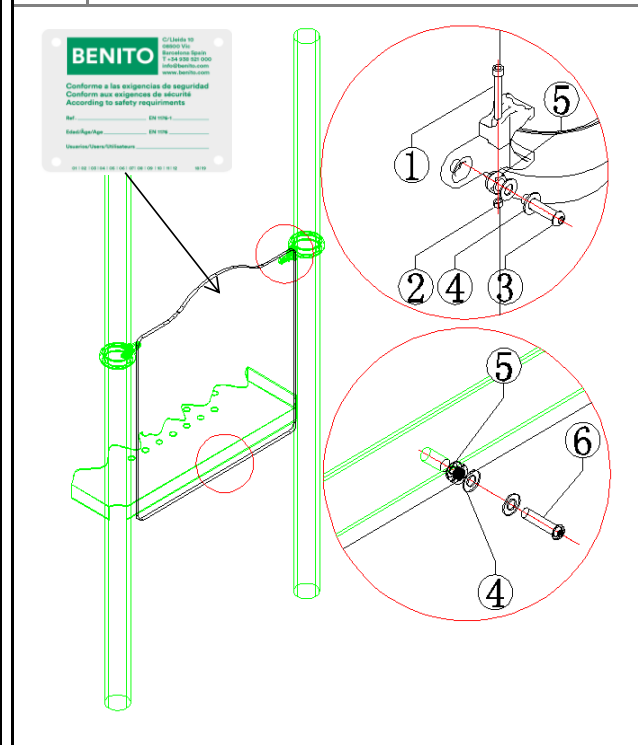
Remark

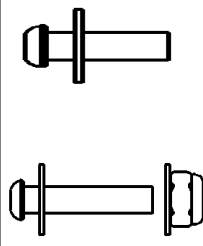
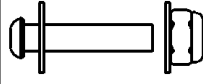


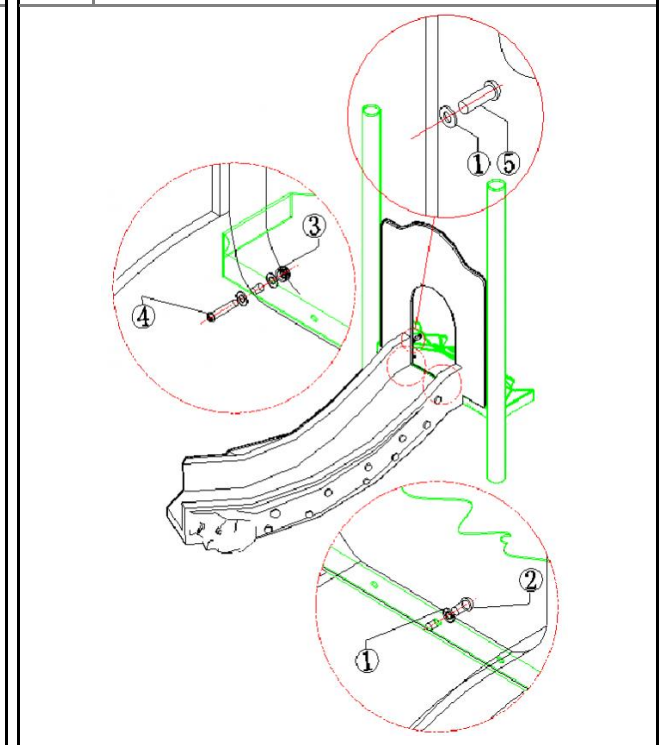
S-XM089 Cartel entrada HDPE / PE banner				
No	Name	Specification	Qty	Picture
1	Tornillo/bolt DIN912	M6*35	4	
2	Tuerca/nut	M6	4	
3	Tornillo/bolt DIN7380	M10*40	4	
4	Arandela/washer DIN125	M10*2	8	
5	Tuerca/nut DIN985	M10	4	
6				
7				
8				
9				
10				
Remark				



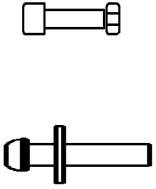
S-XM091 Panel tobogán individual (PE) / Single slide door (PE)				
No	Name	Specification	Qty	Picture
1	Tornillo/bolt DIN7380	M6*35	2	
2	Tuerca/nut	M6	2	
3	Tornillo/bolt DIN912	M10*40	2	
4	Arandela/washer DIN125	M10*2	10	
5	Tuerca/Tuerca/nut DIN985	M10	5	
6	Tornillo/bolt DIN912	M10*35	3	
7				
8				
9				
10				
Remark				

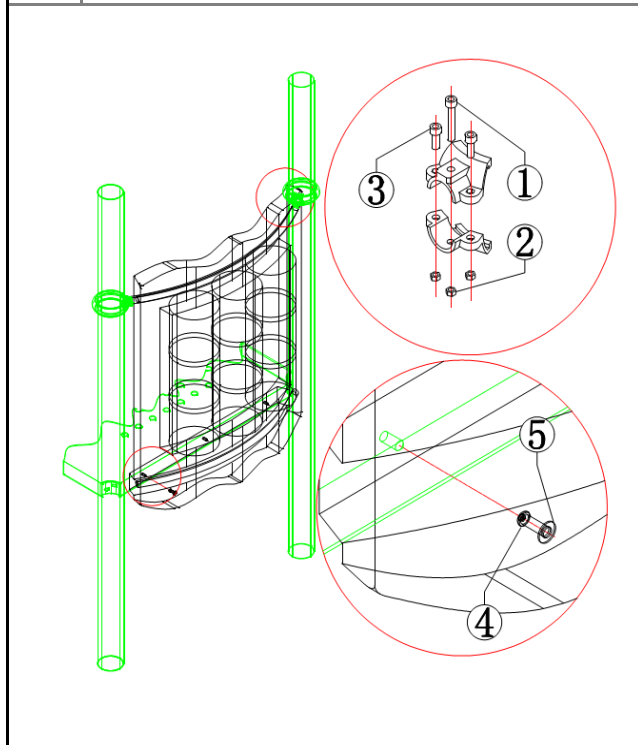


S-XH021 Tobogán individual jirafa / Giraffe bend slide				
No	Name	Specification	Qty	Picture
1	Arandela/washer DIN125	M10*2	5	
2	Tornillo/bolt DIN7380	M10*20	1	
3	Tuerca/nut DIN985	M10	2	
4	Tornillo/bolt DIN7380	M10*40	2	
5	Tornillo/bolt DIN7380	M10*35	2	
6				
7				
8				
9				
10				
Remark				

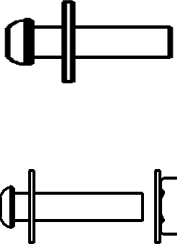


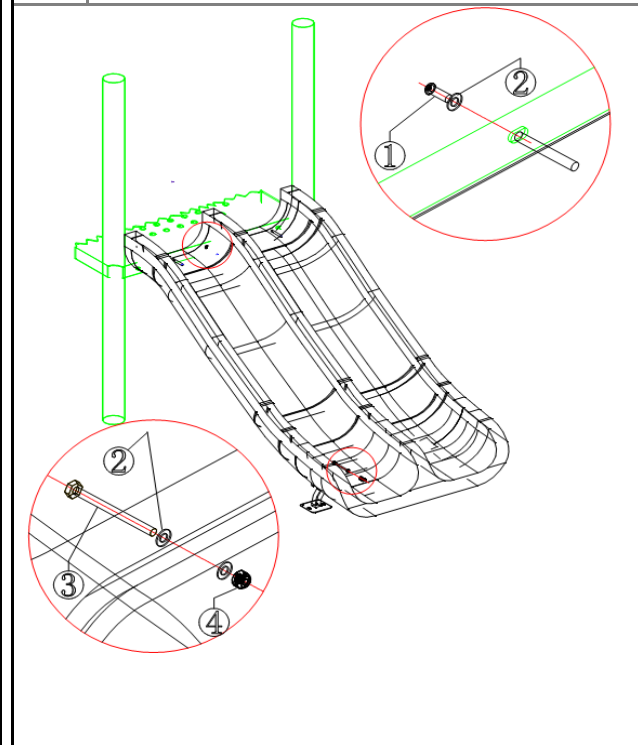
S-XM021
Panel tres en raya / Tik-tak-toe panel

No	Name	Specification	Qty	Picture
1	Tornillo/bolt DIN912	M6*45	2	
2	Tuerca/nut	M6	6	
3	Tornillo/bolt DIN912	M6*14	4	
4	Tornillo/bolt DIN7380	M10*20	3	
5	Arandela/washer DIN125	M10*2	3	
6				
7				
8				
9				
10				
Remark				

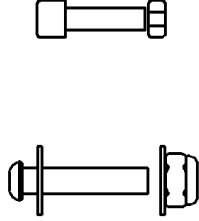


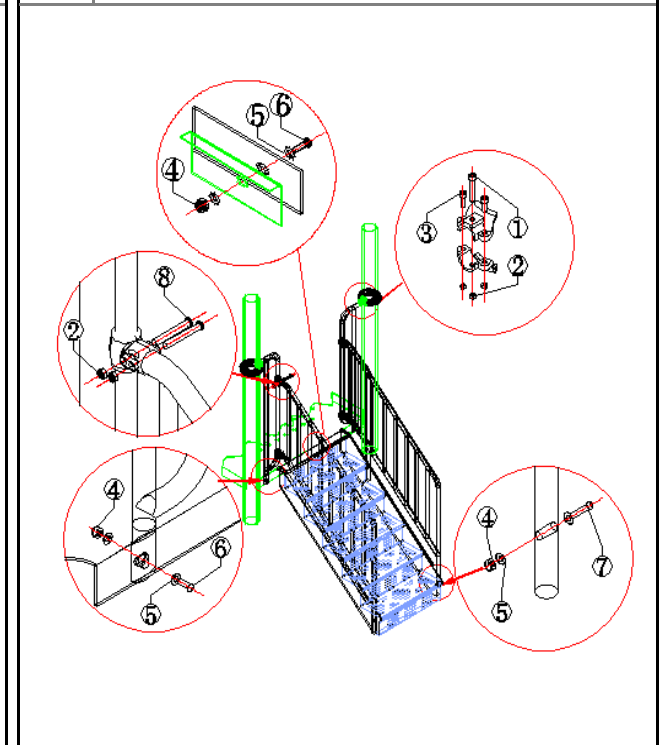
S-XH003
Tobogán doble altura 90cm / 90cm height double slide

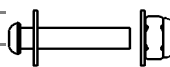
No	Name	Specification	Qty	Picture
1	Tornillo/bolt DIN7380	M10*20	4	
2	Arandela/washer DIN125	M10*2	8	
3	Tornillo/bolt DIN933	M10*100	2	
4	Tuerca/Tuerca/nut DIN985	M10	2	
5	Tornillo SPIT/Expansion screw	M8	4	
6				
7				
8				
9				
10				
Remark				

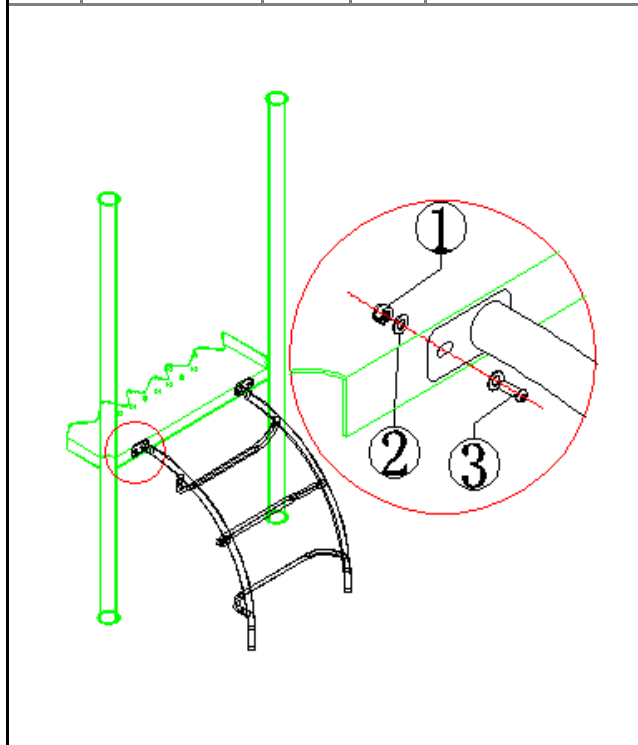


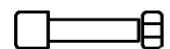
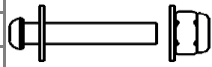
T-ZF005
Escalera altura 90cm (6 peldaños) / 90cm height ladder (6-step)

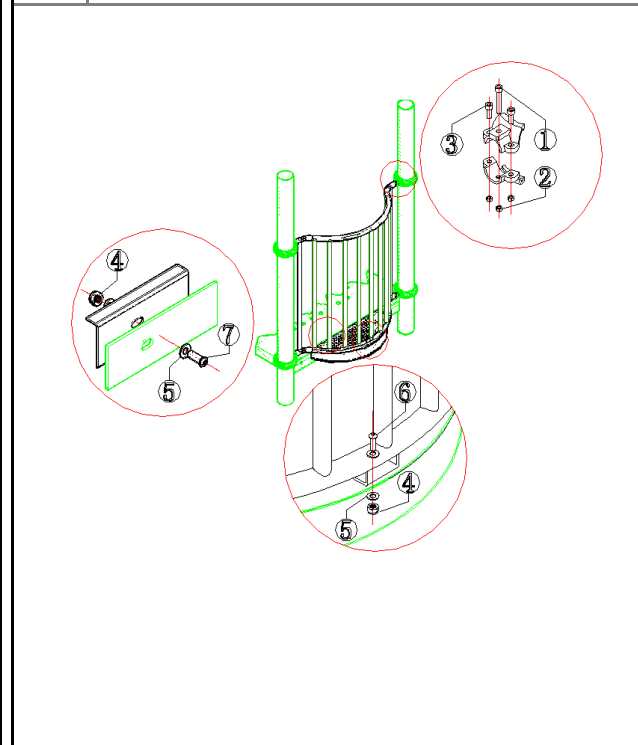
No	Name	Specification	Qty	Picture
1	Tornillo/bolt DIN912	M6*50	2	
2	Tuerca/nut	M6	14	
3	Tornillo/bolt DIN912	M6*14	4	
4	Tornillo/bolt DIN7380	M10*25	5	
5	Arandela/washer DIN125	M10	14	
6	Tuerca/nut DIN985	M10	7	
7	Tornillo/bolt DIN7380	M10*55	2	
8	Tornillo/bolt DIN912	M6*45	8	
9				
10				
Remark				

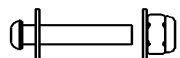
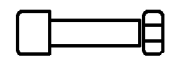


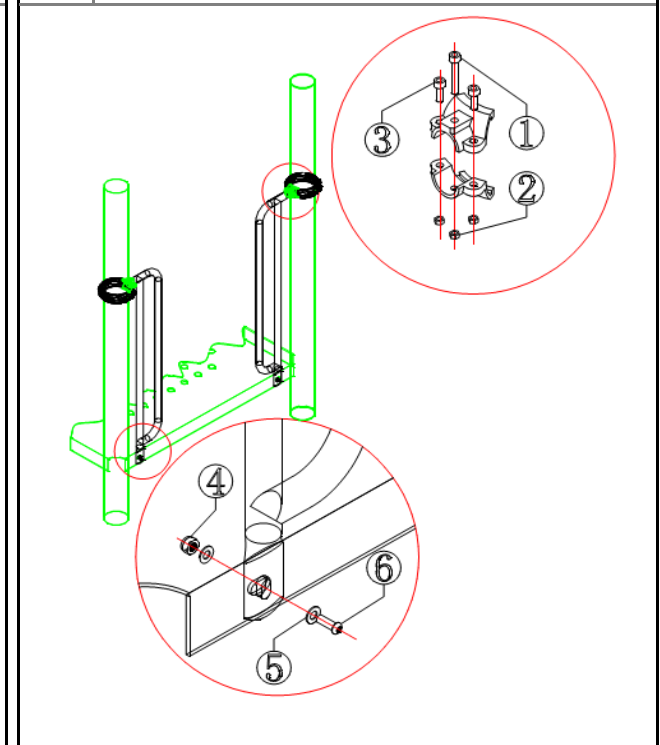
T-ZL056				
Escalera curva altura 90cm / 90cm height bend climber				
No	Specification	Name	Qty	Picture
1	Tuerca/nut DIN985	M10	2	
2	Arandela/washer DIN125	M10	4	
3	Tornillo/bolt DIN7380	M10*25	2	
4				
5				
6				
7				
8				
9				
10				
Remark				



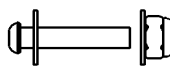
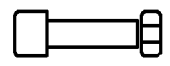
T-ZF053				
Plataforma semicircular con vallado / Semi-round deck with pipe wall				
No	Name	Specification	Qty	Picture
1	Tornillo/bolt DIN912	M6*50	4	
2	Tuerca/nut	M6	8	
3	Tornillo/bolt DIN912	M6*16	12	
4	Tuerca/nut DIN985	M10	6	
5	Arandela/washer DIN125	M10	12	
6	Tornillo/bolt DIN7380	M10*25	1	
7	Tornillo/bolt DIN7380	M10*30	5	
8				
9				
10				
Remark				



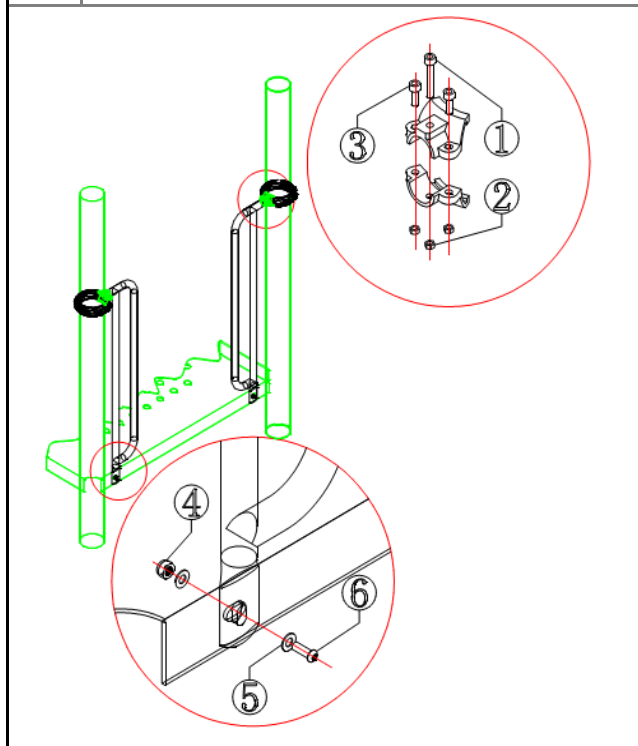
T-ZL095				
Barra agarraderas largas / 7 shaped handrail				
No	Name	Specification	Qty	Picture
1	Tornillo/bolt DIN912	M6*50	2	
2	Tuerca/nut	M6	6	
3	Tornillo/bolt DIN912	M6*16	4	
4	Tornillo/bolt DIN7380	M10*25	2	
5	Arandela/washer DIN125	M10	4	
6	Tuerca/nut DIN985	M10	2	
7				
8				
9				
10				
Remark				



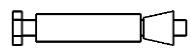

T-ZL096
Barra agarraderas cortas / Short 7 shaped handrail

No	Name	Specification	Qty	Picture
1	Tornillo/bolt DIN912	M6*50	2	
2	Tuerca/nut	M6	6	
3	Tornillo/bolt DIN912	M6*16	4	
4	Tornillo/bolt DIN7380	M10*25	2	
5	Arandela/washer DIN125	M10	4	
6	Tuerca/nut DIN985	M10	2	
7				
8				
9				
10				

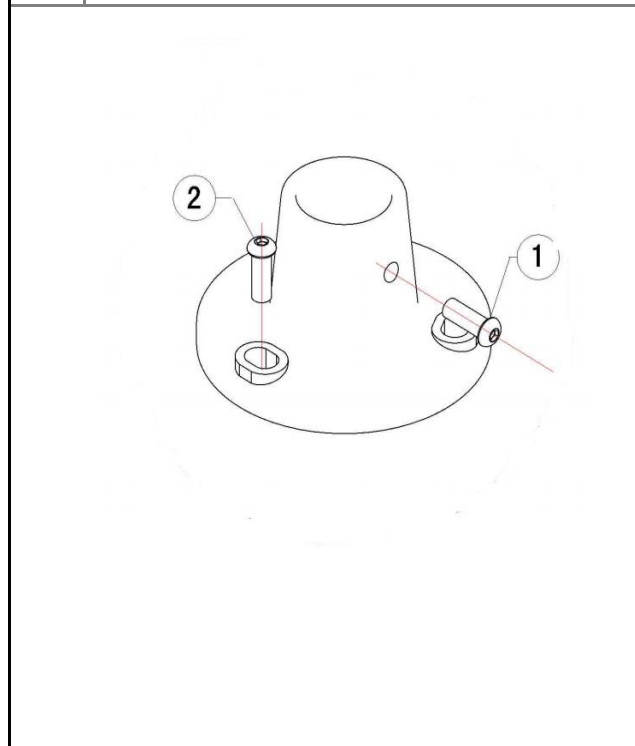
Remark



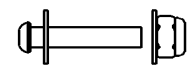
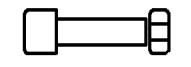
T-T046
48 pletina base / 48base plate

No	Name	Specification	Qty	Picture
1	Tornillo apriete/Jackscrew	M8*8	1	
2	Tornillo SPIT/Expansion screw	M8*80	3	
3				
4				
5				
6				
7				
8				
9				
10				

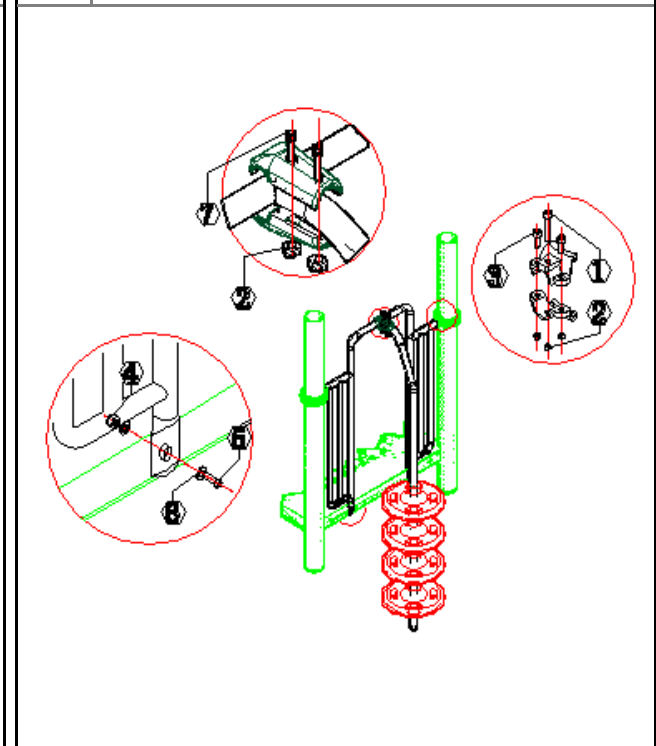
Remark

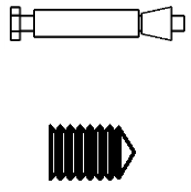


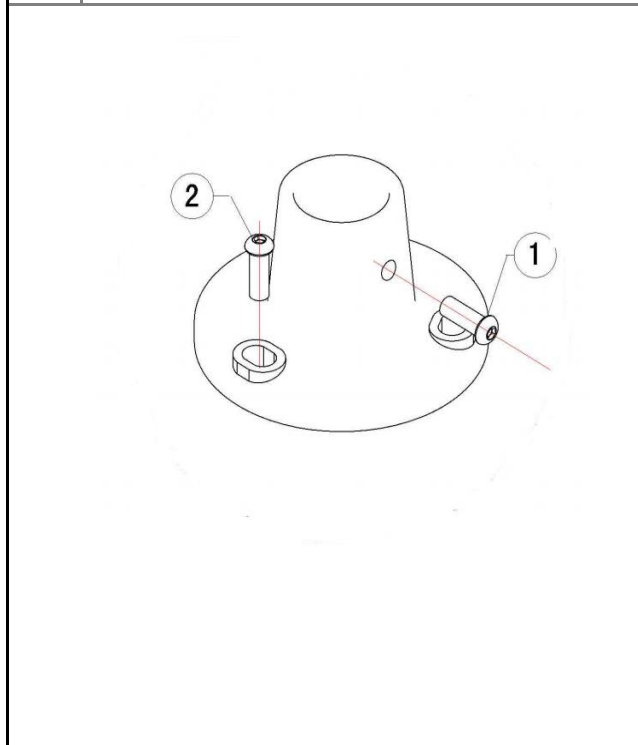
T-ZL016
Escalera barra de bomberos 90cm / 90cm height frisbee climber

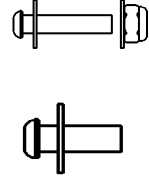
No	Name	Specification	Qty	Picture
1	Tornillo/bolt DIN912	M6*45	2	
2	Tuerca/nut	M6	10	
3	Tornillo/bolt DIN912	M6*14	4	
4	Tornillo/bolt DIN7380	M10*25	2	
5	Gasket	M10	2	
6	Tuerca/nut	M10*2	4	
7	Tornillo/bolt DIN912	M6*55	2	
8				
9				
10				

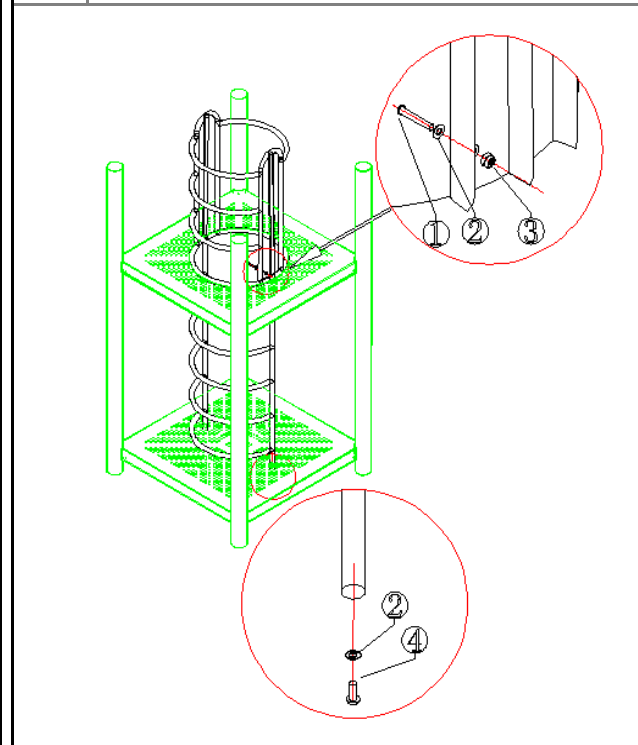
Remark

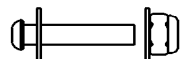


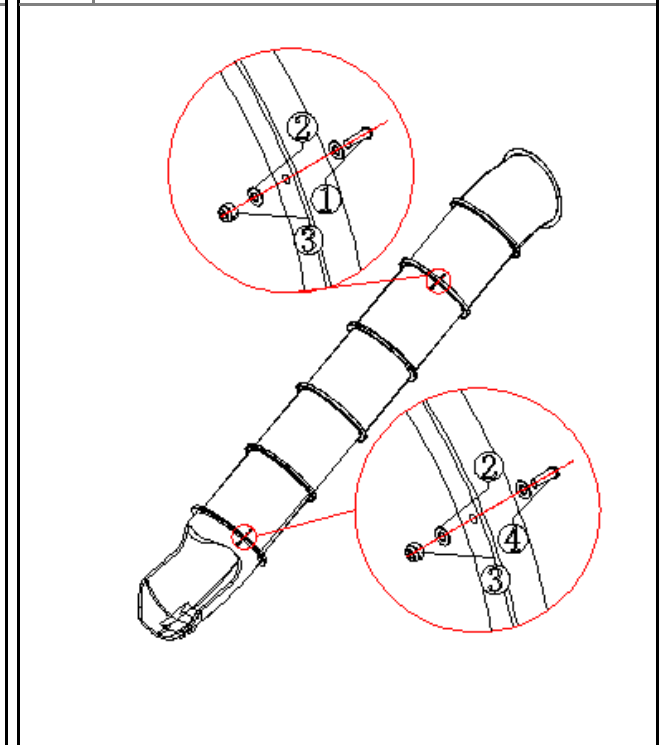
T-T045				
38 pletina base / 38 base plate				
No	Name	Specification	Qty	Picture
1	Tornillo apriete/Jackscrew	M8*8	1	
2	Tornillo SPIT/Expansion screw	M8*80	3	
3				
4				
5				
6				
7				
8				
9				
10				
Remark				



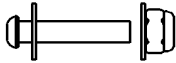
T-ZL010				
Escalera interior circular altura 150cm/ 150cm height up-down climber				
No	Specification	Name	Qty	Picture
1	Tornillo/bolt DIN7380	M10*55	2	
2	Arandela/washer DIN125	M10*2	6	
3	Tuerca/nut DIN985	M10	2	
4	Tornillo/bolt DIN7380	M10*25	2	
5				
6				
7				
8				
9				
10				
Remark				

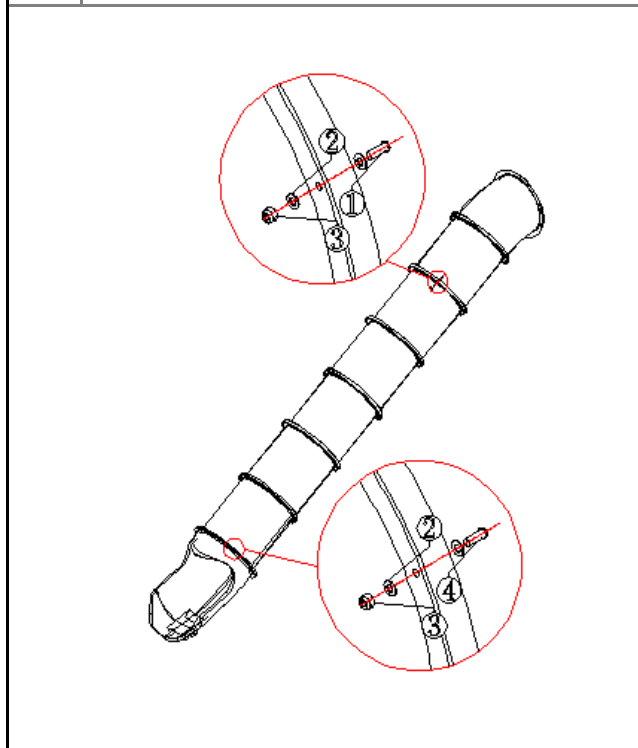


S-XT030				
Tobogán tubo / Tube slide (7pcs)				
No	Name	Specification	Qty	Picture
1	Tornillo/bolt DIN7380	M10*30	60	
2	Arandela/washer DIN125	M10	152	
3	Tuerca/nut DIN985	M10	76	
4	Tornillo/bolt DIN7380	M10*50	16	
5				
6				
7				
8				
9				
10				
Remark				

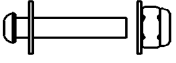


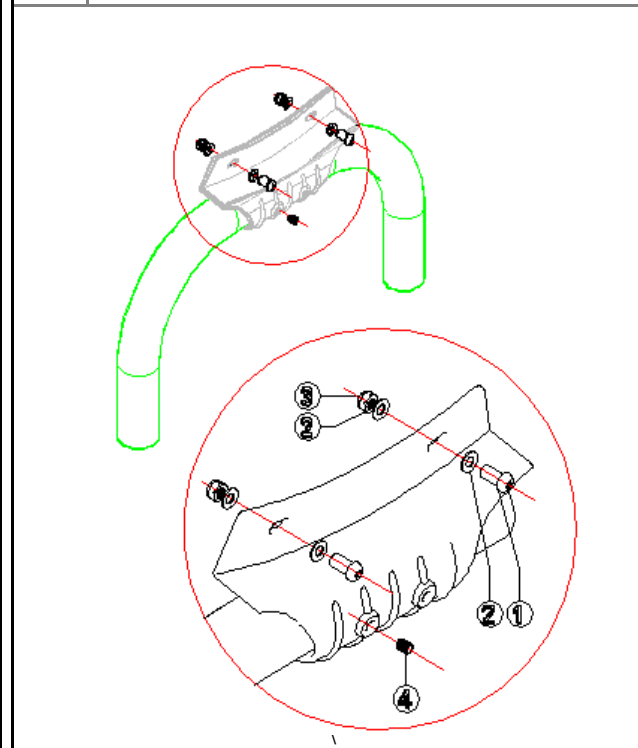
S-XT031
Tobogán tubo / Tube slide (8 pcs)

No	Name	Specification	Qty	Picture
1	Tornillo/bolt DIN7380	M10*30	72	
2	Arandela/washer DIN125	M10	172	
3	Tuerca/nut DIN985	M10	86	
4	Tornillo/bolt DIN7380	M10*50	16	
5				
6				
7				
8				
9				
10				
Remark				

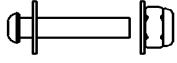


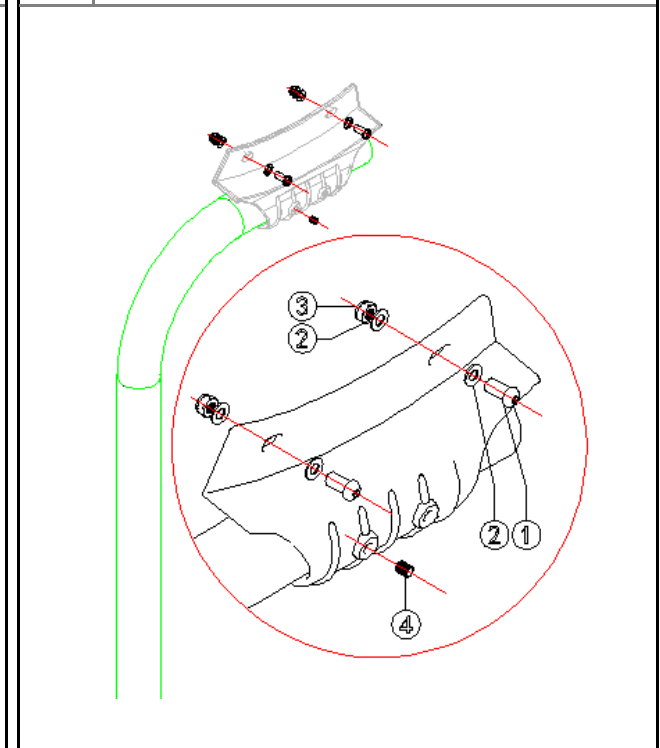
T-T037
Soporte salida tobogán tubo / Tube exit support

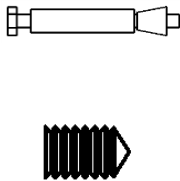
No	Name	Specification	Qty	Picture
1	Tornillo/bolt DIN7380	M10*50	2	
2	Arandela/washer DIN125	M10*2	4	
3	Tuerca/nut DIN985	M10	2	
4	Tornillo apriete/Jackscrew	M10*12	2	
5				
6				
7				
8				
9				
10				
Remark				

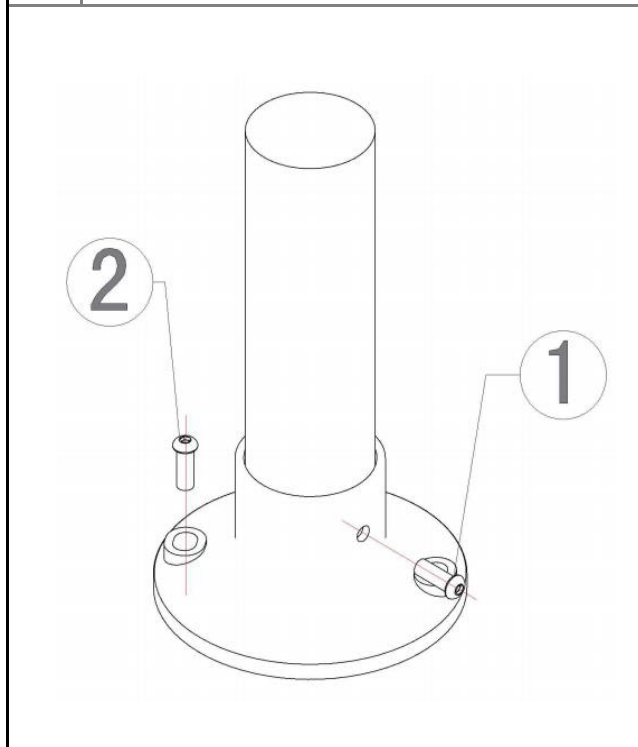


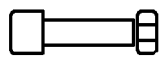
T-T032
Soporte tobogán tubo / Tube slide support

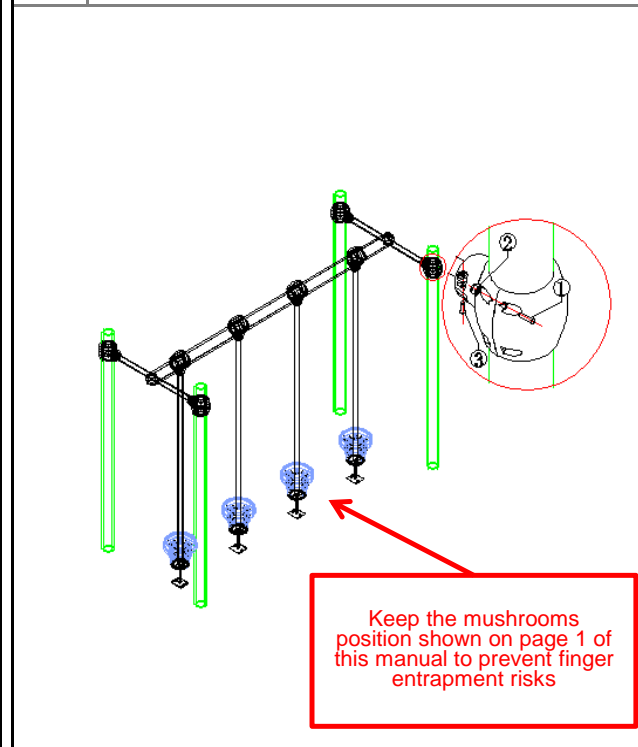
No	Name	Specification	Qty	Picture
1	Tornillo/bolt DIN7380	M10*35	2	
2	Arandela/washer DIN125	M10*2	4	
3	Tuerca/nut DIN985	M10	2	
4	Tornillo apriete/Jackscrew	M8*12	2	
5				
6				
7				
8				
9				
10				
Remark				




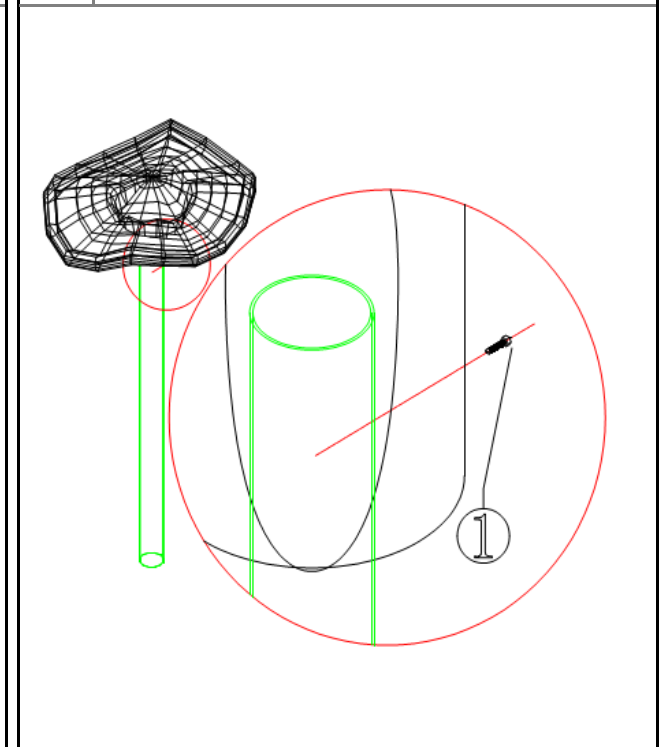
T-T047 60 pletina base / 60 base plate				
No	Name	Specification	Qty	Picture
1	Tornillo apriete/Jackscrew	M8*8	1	
2	Tornillo SPIT/Expansion screw	M8*80	2	
3				
4				
5				
6				
7				
8				
9				
10				
Remark				




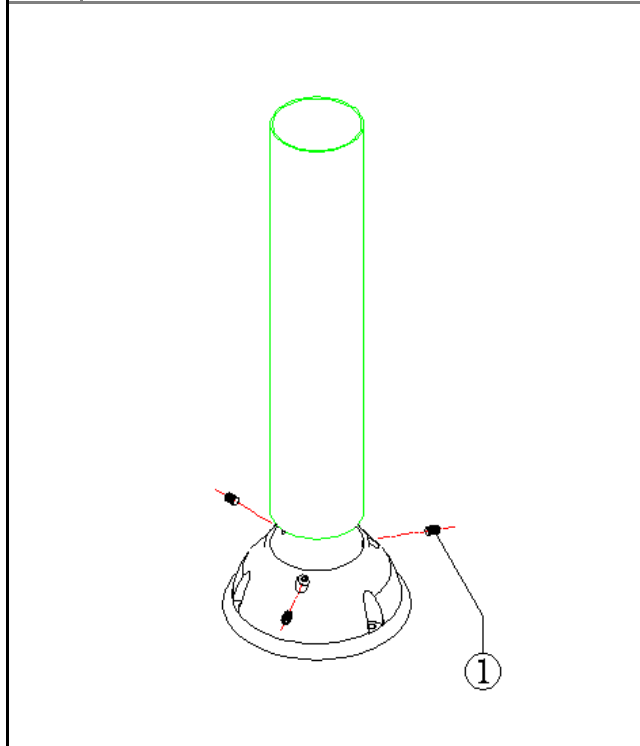
T-ZL091 Pasarela de setas / Hanging stone				
No	Name	Specification	Qty	Picture
1	Tornillo/bolt DIN912	M8*30	15	
2	Tornillo/bolt DIN912	M8*20	8	
3	Tuerca/nut DIN985	M8	24	
4				
5				
6				
7				
8				
9				
10				
Remark				

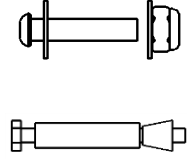


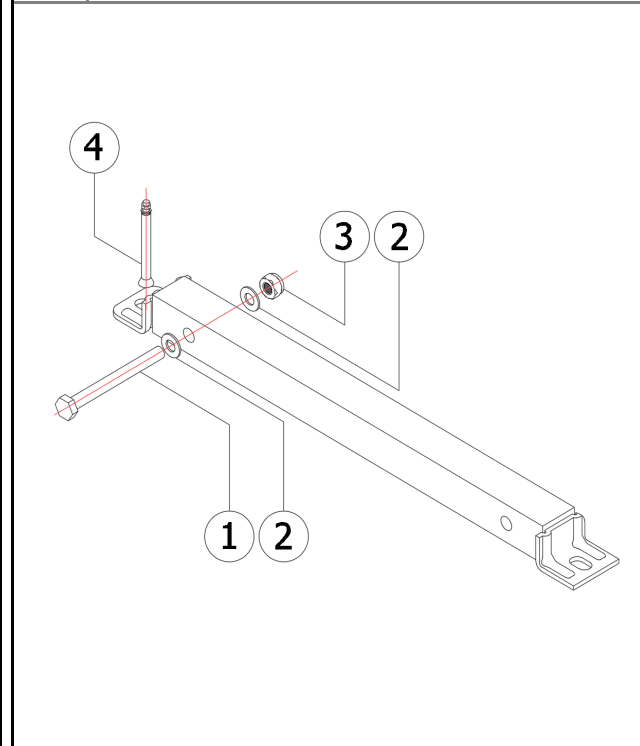
S-D017 Sombrero / Lotus roof				
No	Name	Specification	Qty	Picture
1	self-tapping	M5.5*55	3	
2				
3				
4				
5				
6				
7				
8				
9				
10				
Remark				

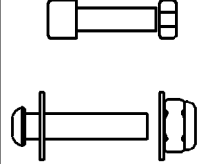


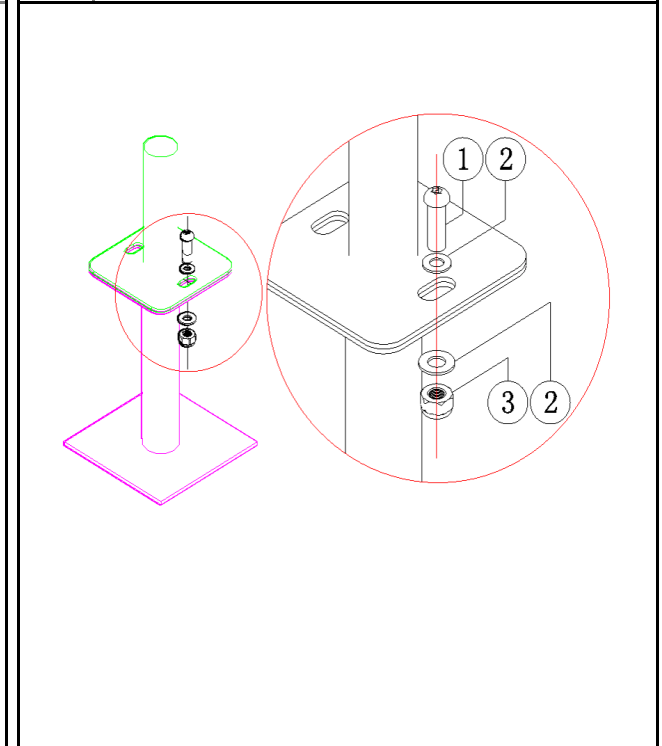
T-T001 114 pletina base / 114 base plate				
No	Name	Specification	Qty	Picture
1	Tornillo apriete/Jackscrew	M8*12	3	
2				
3				
4				
5				
6				
7				
8				
9				
10				
Remark				



<JR306AT3 Anclaje salida tobogán jirafa / Single slide anchor				
No	Name	Specification	Qty	Picture
1	Tornillo/bolt DIN7380	M10*100	2	
2	Arandela/washer DIN125	M10*2	4	
3	Tuerca/nut DIN985	M10	2	
4	Tornillo apriete/Jackscrew	M8*80	2	
5				
6				
7				
8				
9				
10				
Remark				



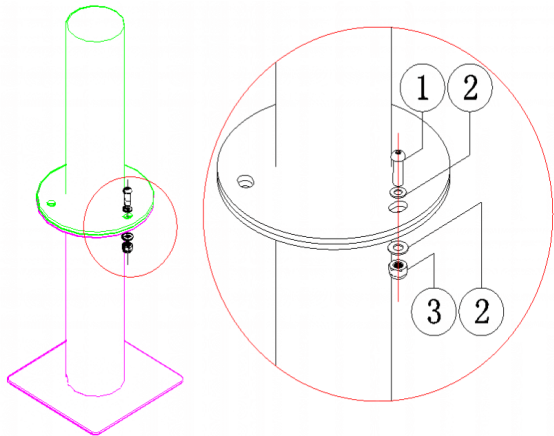
SB Zapatas secundarias SB / Secondary footers SG				
No.	Name	Specification	Qty	Picture
1	Tornillo/bolt DIN7380	M10*25	3	
2	Arandela/washer DIN125	M10	6	
3	Tuerca/nut DIN985	M10	3	
4				
5				
6				
7				
8				
9				
10				
Remark				



SB Zapata SB postes 114 / 114 Post footers SG

No.	Name	Specification	Qty	Picture
1	Tornillo/bolt DIN7380	M10*35	2	
2	Arandela/washer DIN125	M10	2	
3	Tuerca/nut DIN985	M10	2	
4				
5				
6				
7				
8				
9				
10				

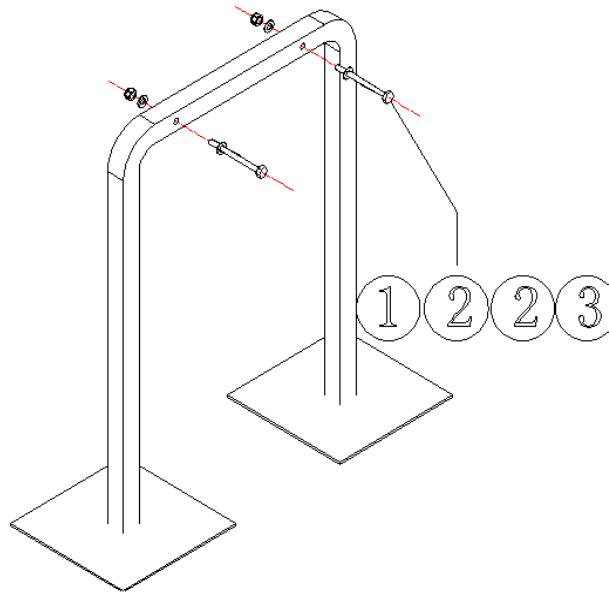
Remark



SB Zapata SB tobogán individual / 114 Post footers SG

No.	Name	Specification	Qty	Picture
1	Tornillo/bolt DIN7380	M10*110	2	
2	Arandela/washer DIN125	M10*2	4	
3	Tuerca/nut DIN985	M10	2	
4				
5				
6				
7				
8				
9				
10				

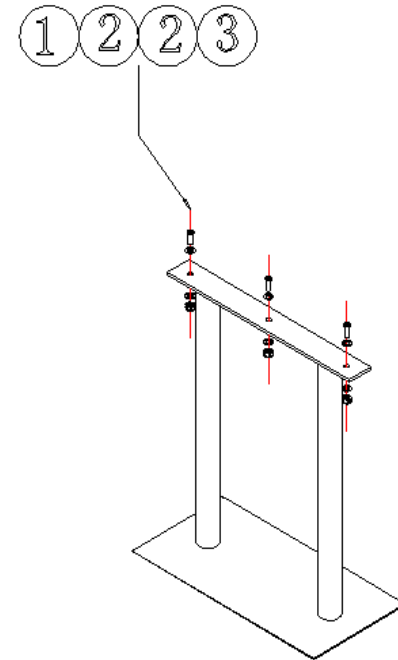
Remark



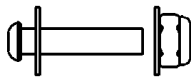
SB Zapata SB para escaleras / Post footers for stair

No.	Name	Specification	Qty	Picture
1	Tornillo/bolt DIN7380	M10*25	3	
2	Arandela/washer DIN125	M10*2	6	
3	Tuerca/nut DIN985	M10	3	
4				
5				
6				
7				
8				
9				
10				

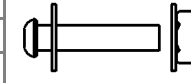
Remark

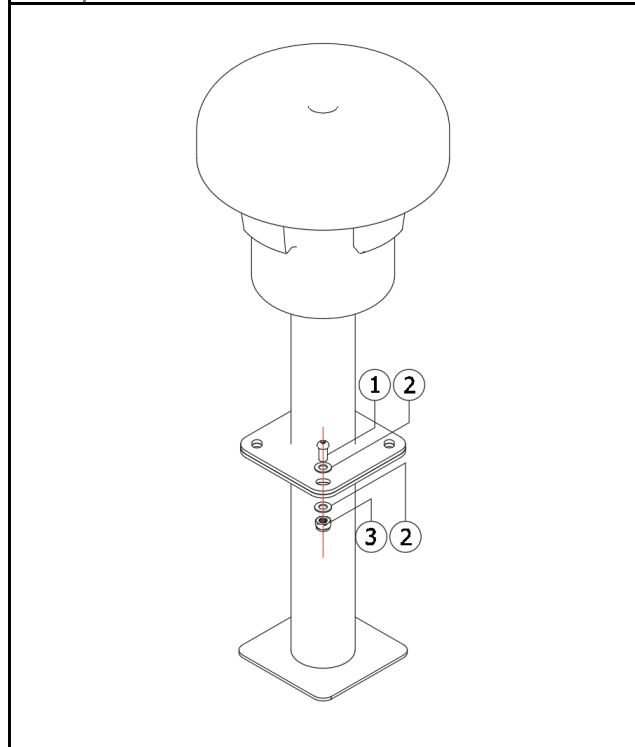
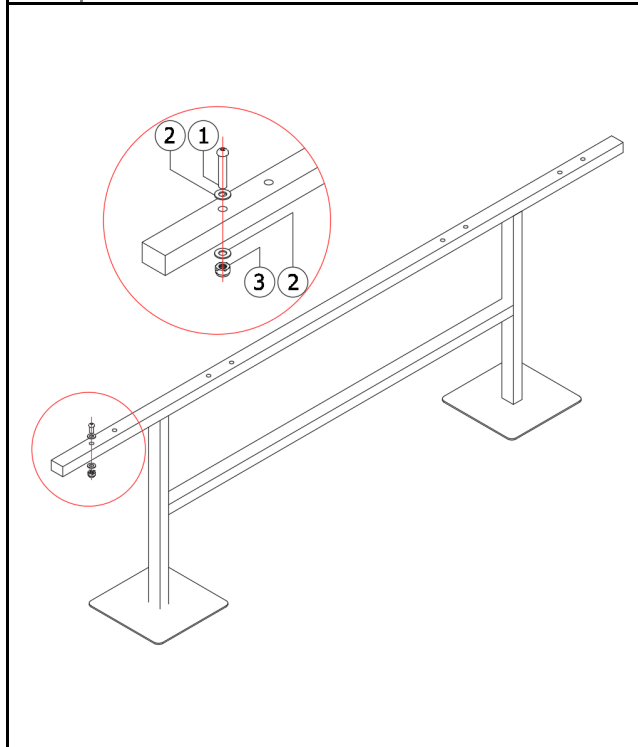


SB Zapata SB pasarela setas / Post footer for mushroom bridge

No.	Name	Specification	Qty	Picture
1	Tornillo/bolt DIN7380	M10*40	10	
2	Arandela/washer DIN125	M10*2	20	
3	Tuerca/nut DIN985	M10	10	
4				
5				
6				
7				
8				
9				
10				
Remark				

SB Zapata SB setas individuales / Post footer single mushrooms

No.	Name	Specification	Qty	Picture
1	Tornillo/bolt DIN7380	M10*25	4	
2	Arandela/washer DIN125	M10*2	8	
3	Tuerca/nut DIN985	M10	4	
4				
5				
6				
7				
8				
9				
10				
Remark				



INSPECCIÓN PREVIA A SU USO

- 1.- Comprobar si se han respetado las distancias de seguridad marcadas en el plano adjunto.
- 2.- Limpiar e igualar las áreas de seguridad de las distintas instalaciones de juego.
- 3.- Comprobar los aparatos de juego utilizandolos uno mismo.
- 4.- Comprobar que los tornillos y tuercas esten bien apretados, poniendo mayor atención a aquellos que por la naturaleza del juego son susceptibles de aflojarse.
- 5.- Comprobar si todas las tuercas están debidamente apretadas, y los agujeros cubiertos por tapones.
- 6.- Revisar que los cimientos, se encuentran a la profundidad adecuada.

INSPECTION AVANT UTILISATION

- 1.- Vérifier avant tout la liberté de la zone de sécurité telle que décrite au plan joint.
- 2.- Nettoyer et aplanir la zone en vérifiant qu'elle ne se chevauche pas avec celle des autres jeux.
- 3.- Contrôler le bon fonctionnement des jeux en les assaillant vous-même
- 4.- Vérifier le serrage de chaque vis ou boulon avec une attention particulière aux axe de rotation et fixations des pièces en mouvement.
- 5.- Contrôles la présence des rondelles et des capuchons étanches.
- 6.- Vérifiez que les massifs de scellement sont assez profonds.

INSPECTION PRIOR TO USE

- 1.- Check if you have the necessary clearances security marked on the attached map.
- 2.- Clean and level the security areas various gaming facilities.
- 3.- Check gaming devices using them yourself.
- 4.- Check that nuts and bolts are tight, paying more attention to those who by the nature of are susceptible to loose the game.
- 5.- Check that all bolts are properly tightened, and holes covered with gaps.
- 6.- Check that the foundation, are at the proper depth.