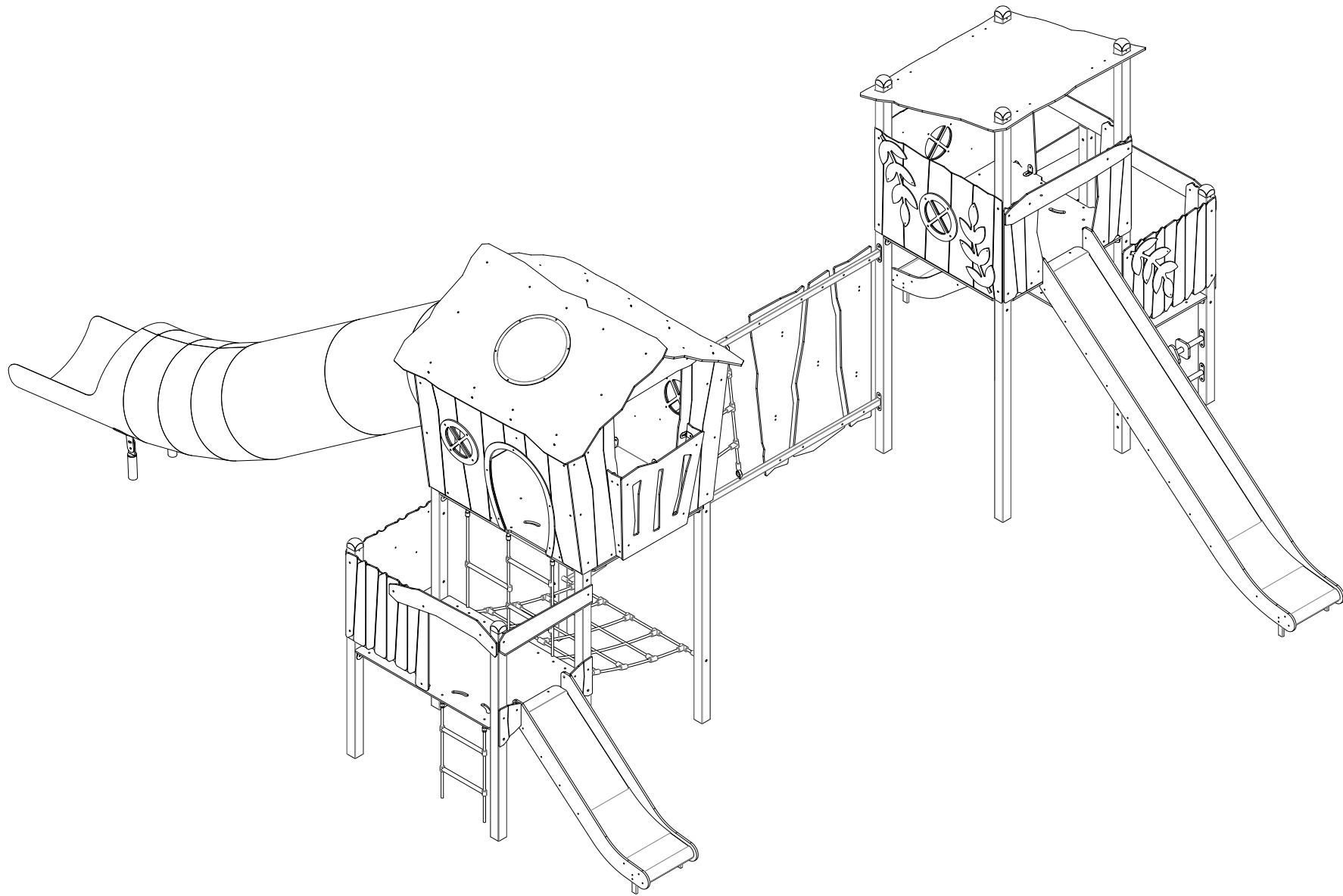


JPVB04



v2/23.02.18
[cm]



9h

180
HIC



13

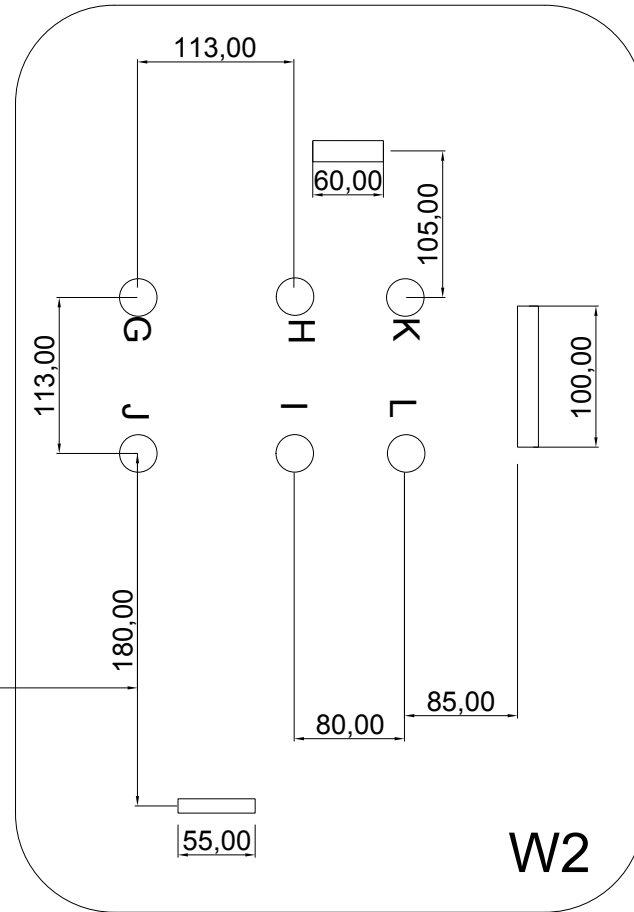
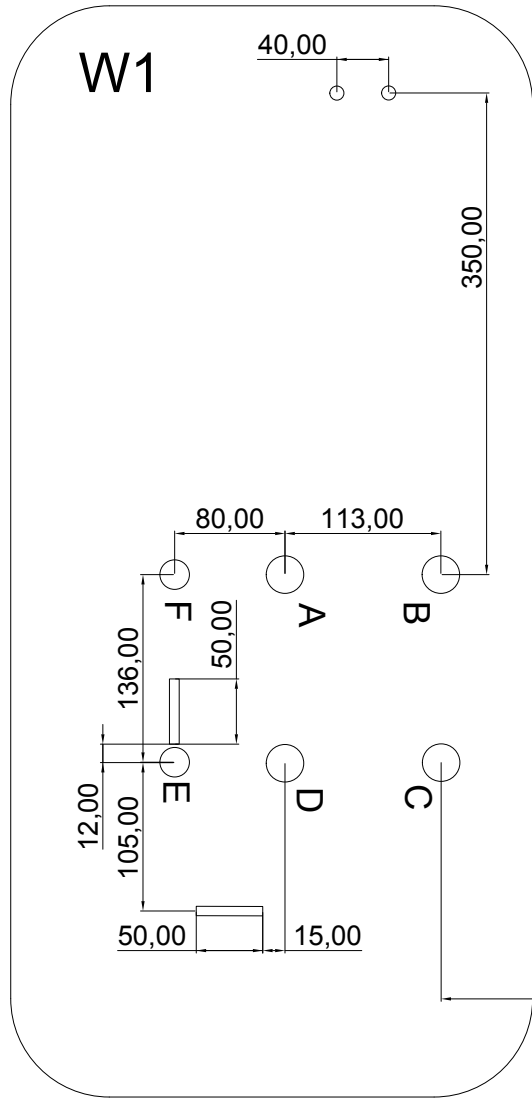


17

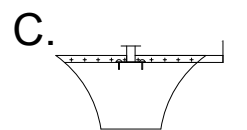
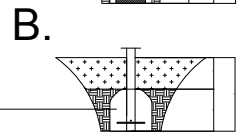
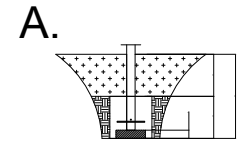
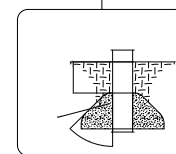
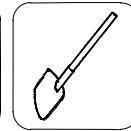
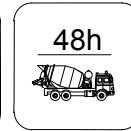
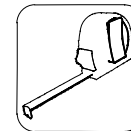


48h

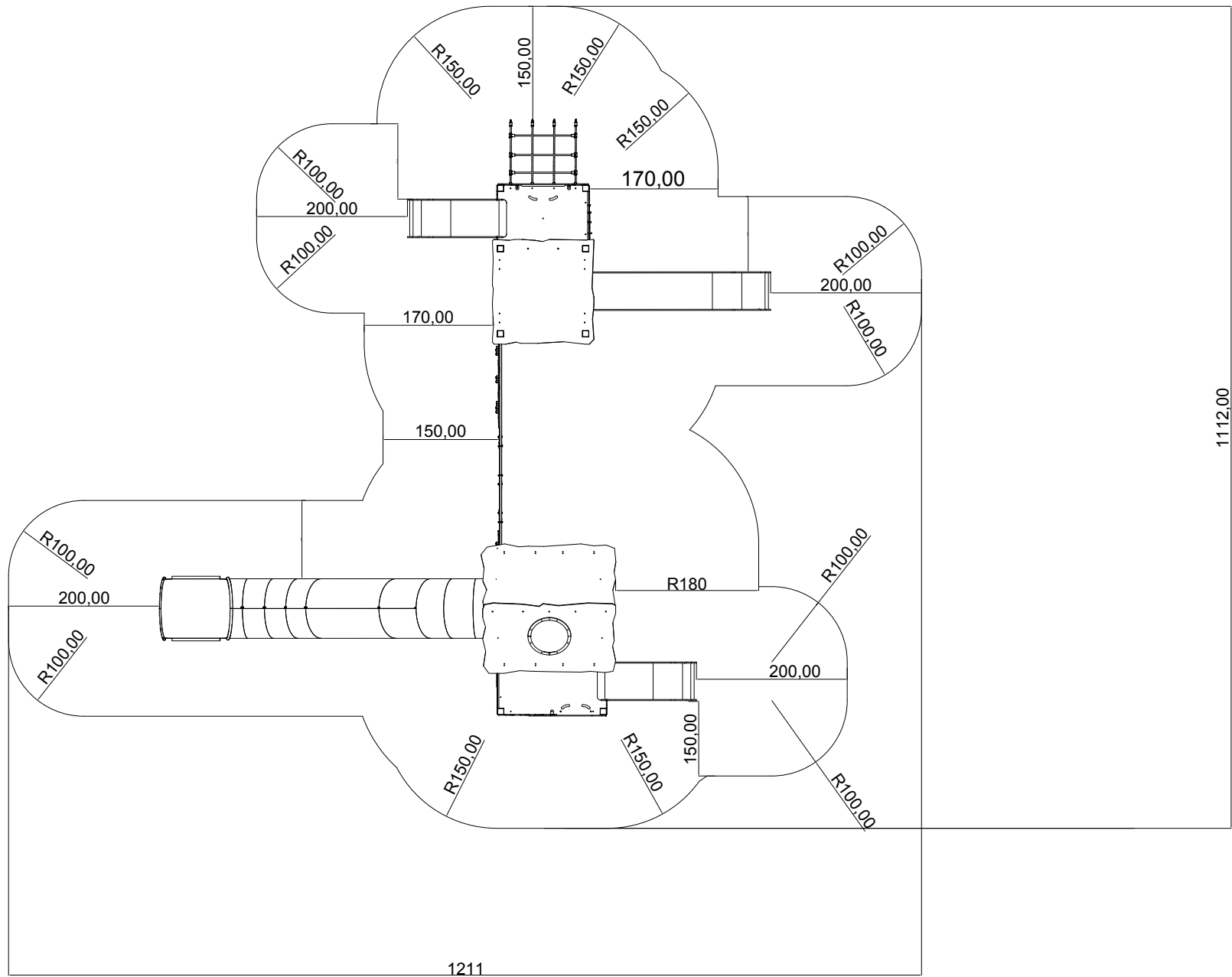
BENITO



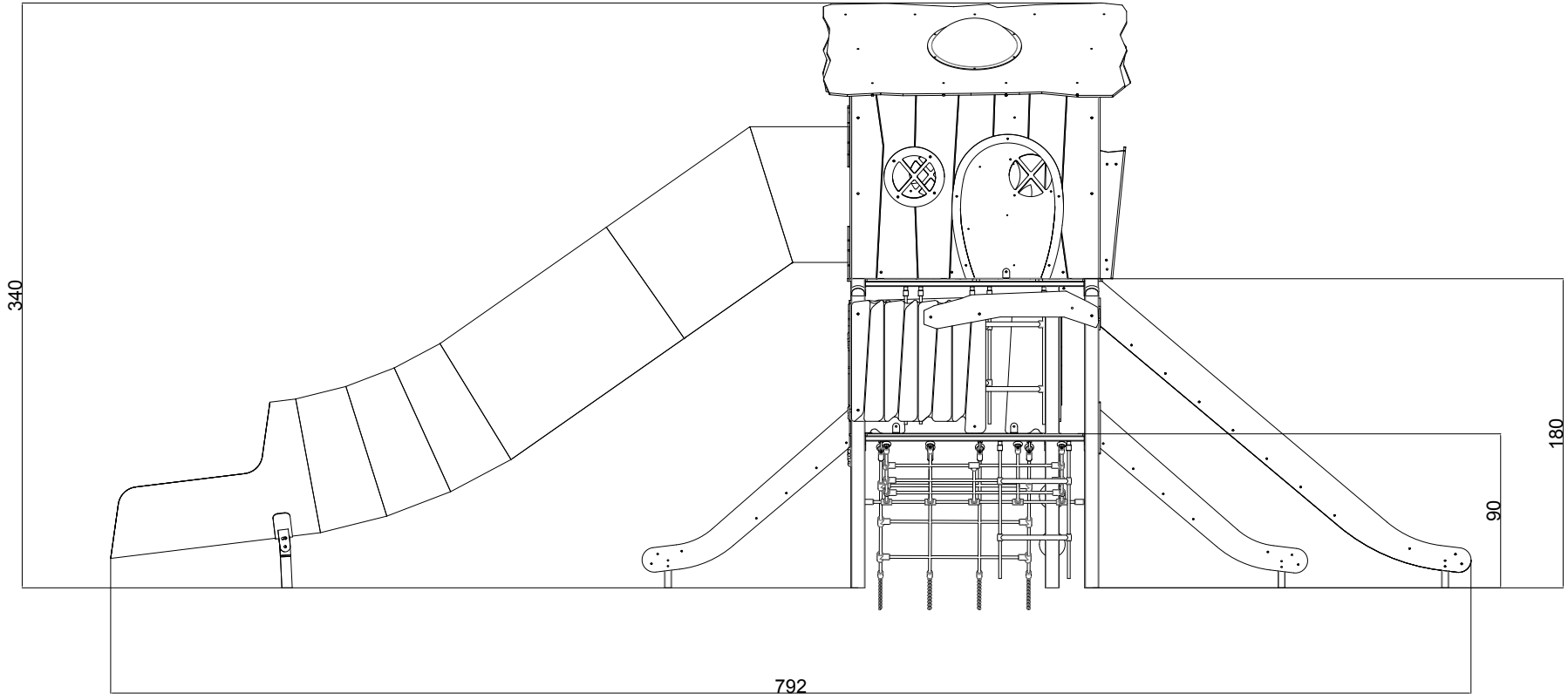
308,00



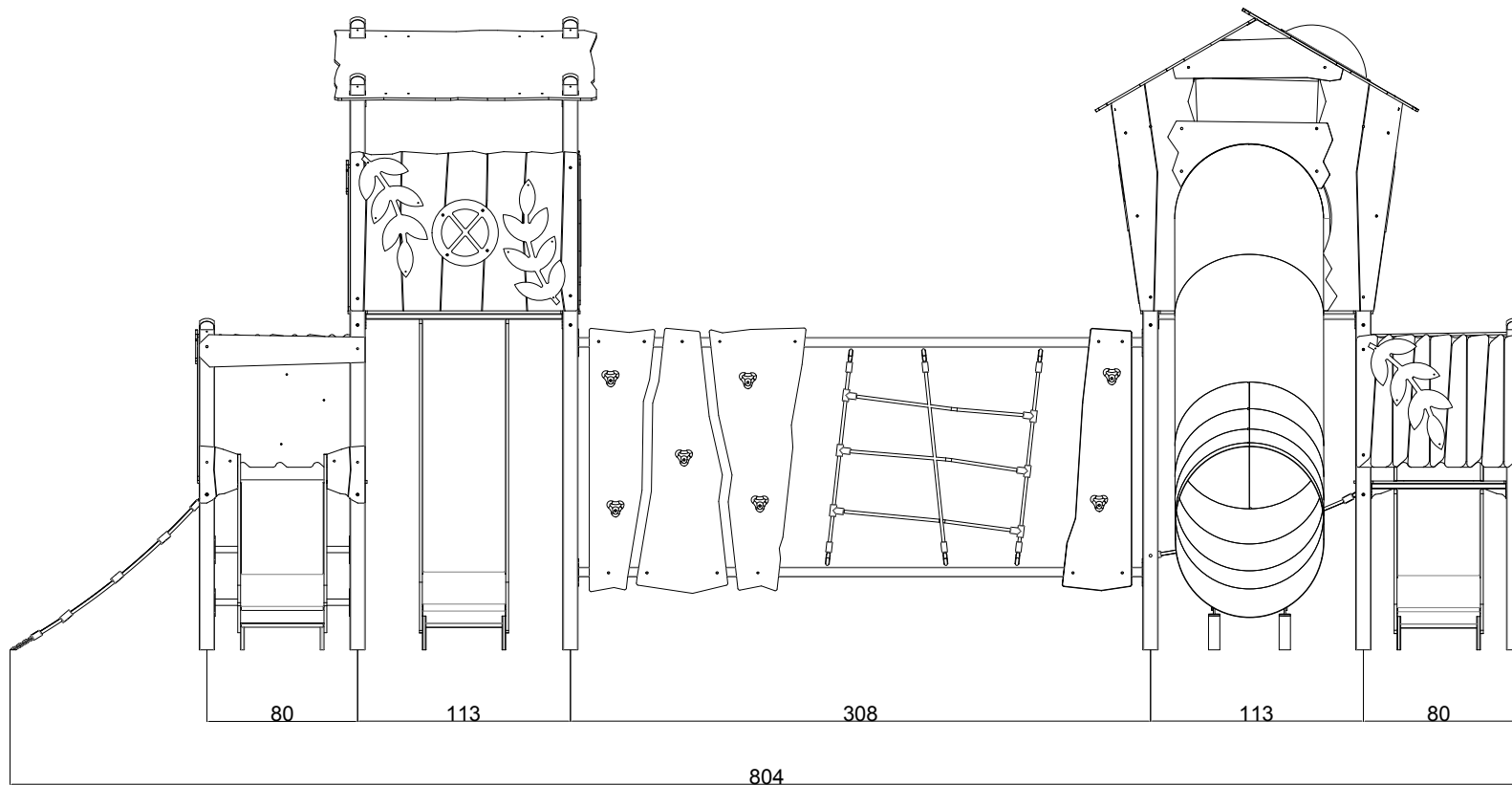
[cm]



[cm]



[cm]



[cm]



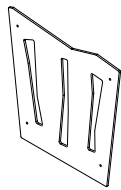
0364



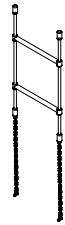
0364



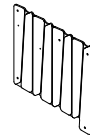
031287
x2



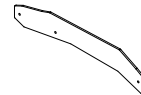
031288
x1



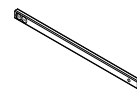
038100
x1



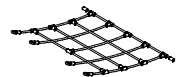
034133
x1



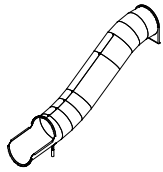
031121
x1



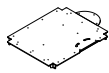
992105
x2



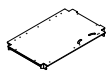
038102
x1



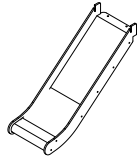
996133
x1



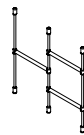
034131
x1



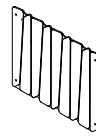
034132
x1



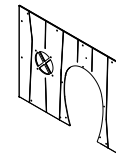
044106
x1



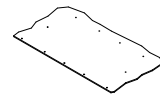
038101
x1



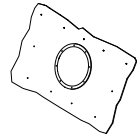
031264
x1



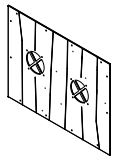
031252
x1



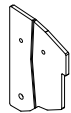
031103
x1



031102
x1



031268
x1



031182
x1



031183
x1



031122
x1



031123
x1



034113
x2



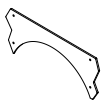
031124
x1



031125
x1



031115
x1



034114
x1



031260
x3



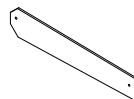
031254
x3



031255
x1



036100
x1

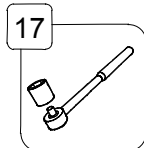
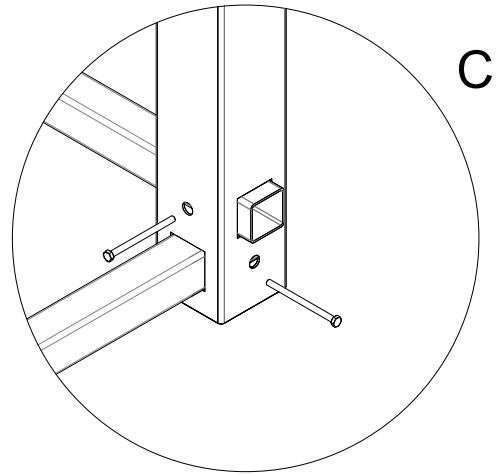
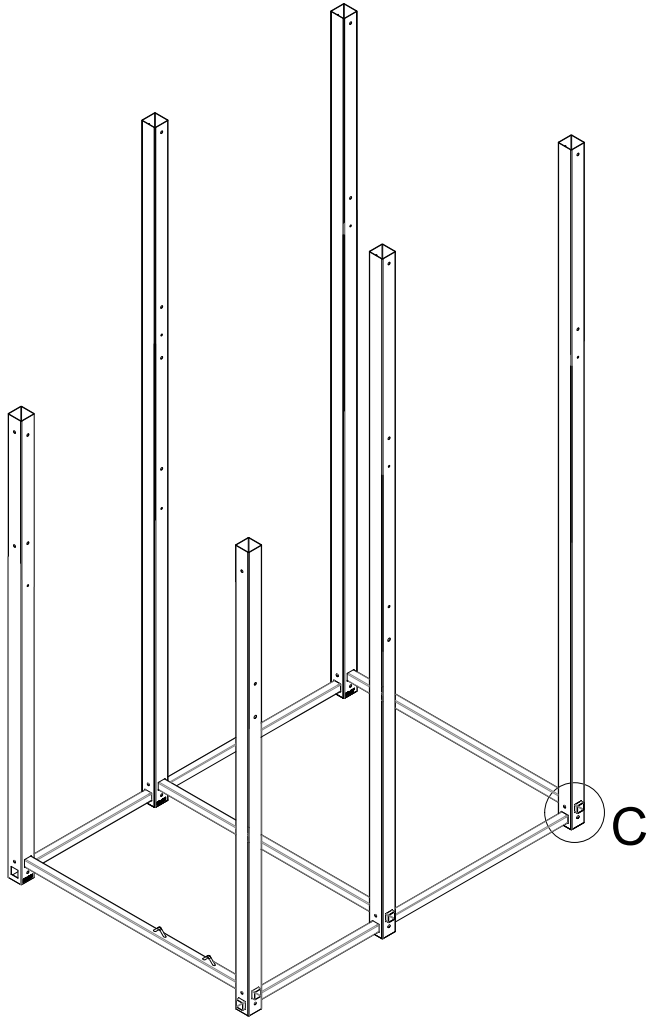


031286
x1

1



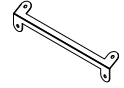
M10x90
x12



2



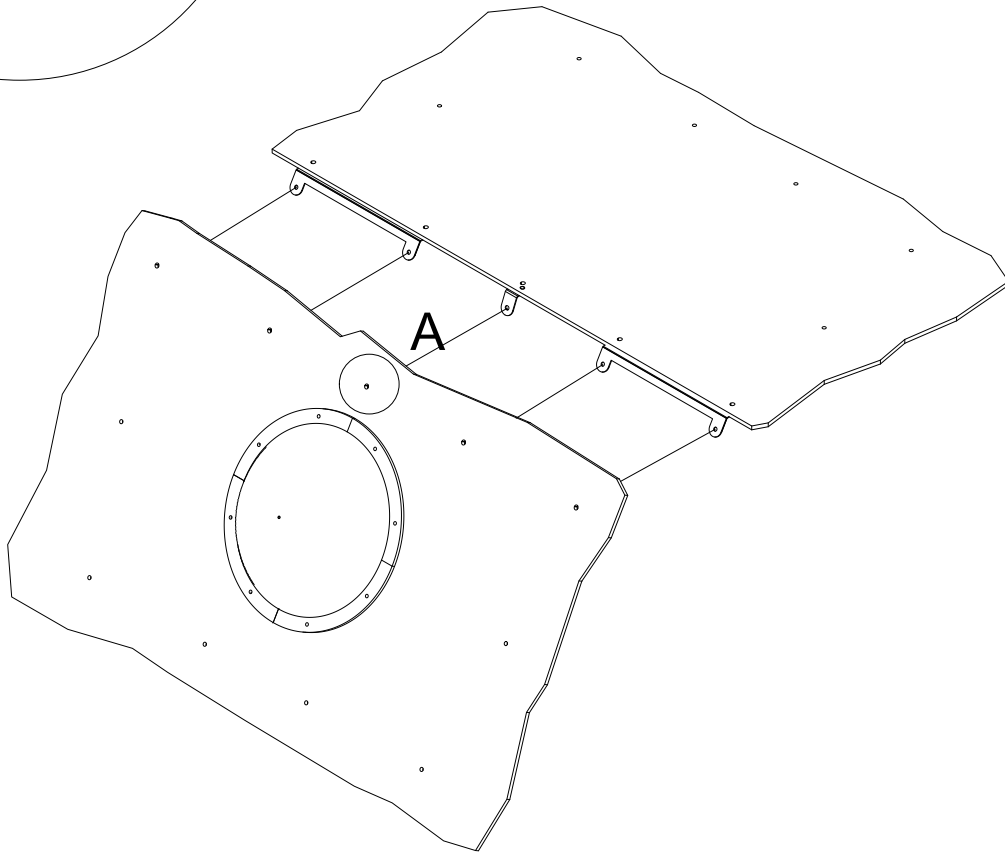
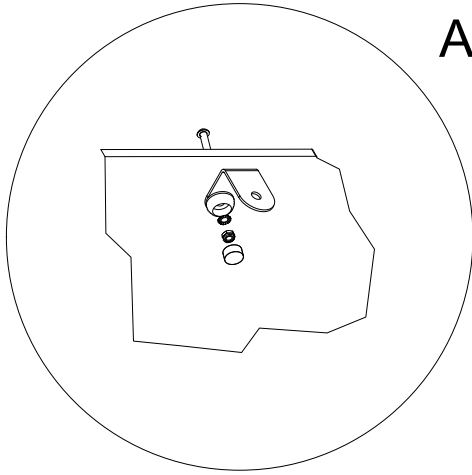
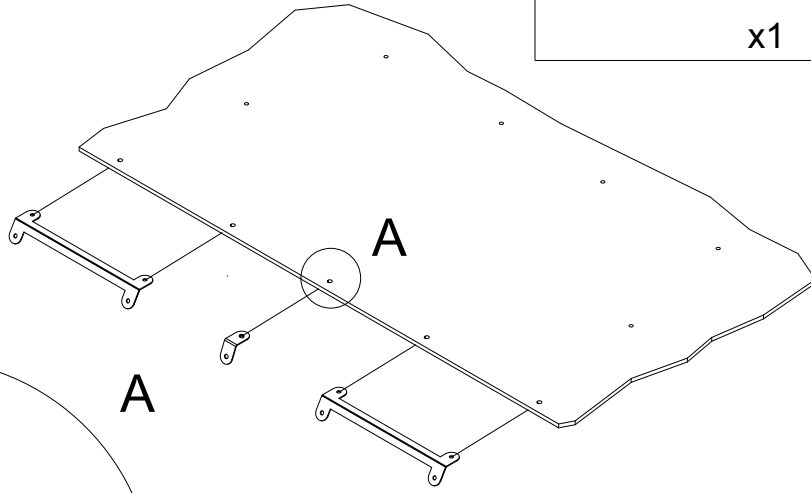
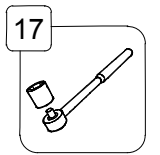
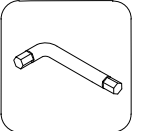
i133
x1



i113
x2



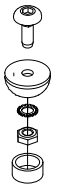
M10x30
x10



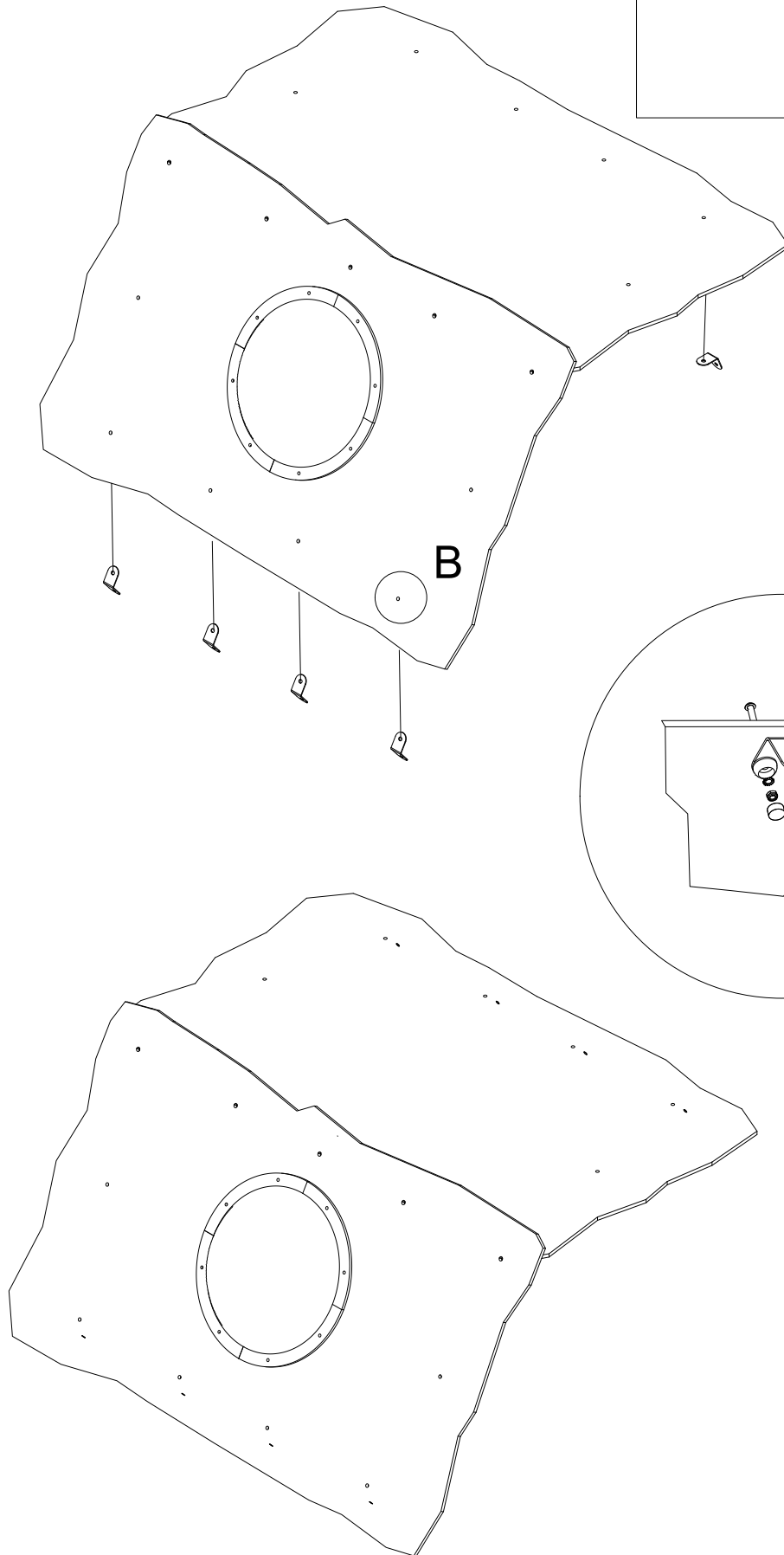
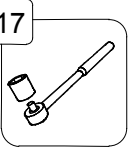
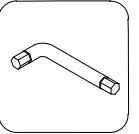
3



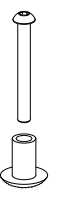
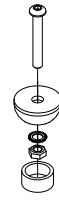
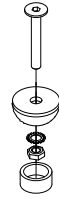
I132
x8



M10x30
x8



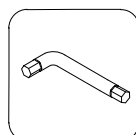
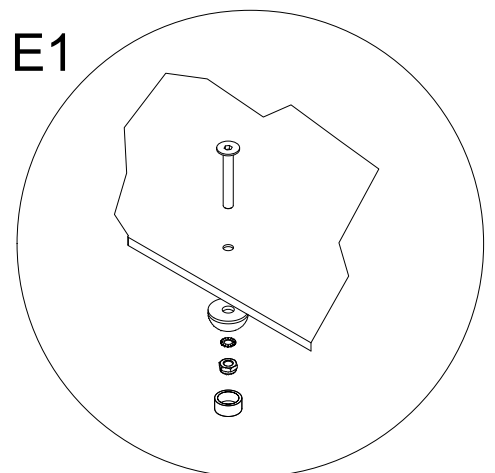
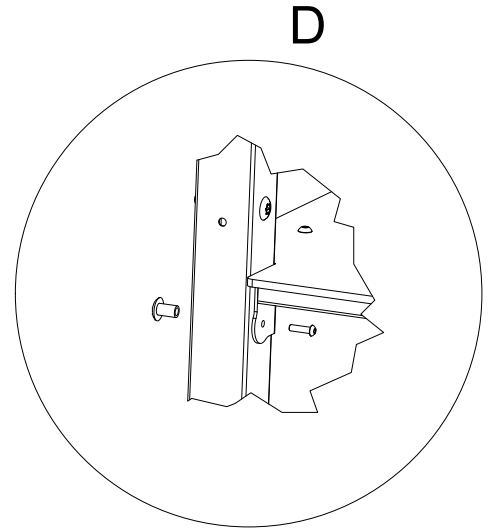
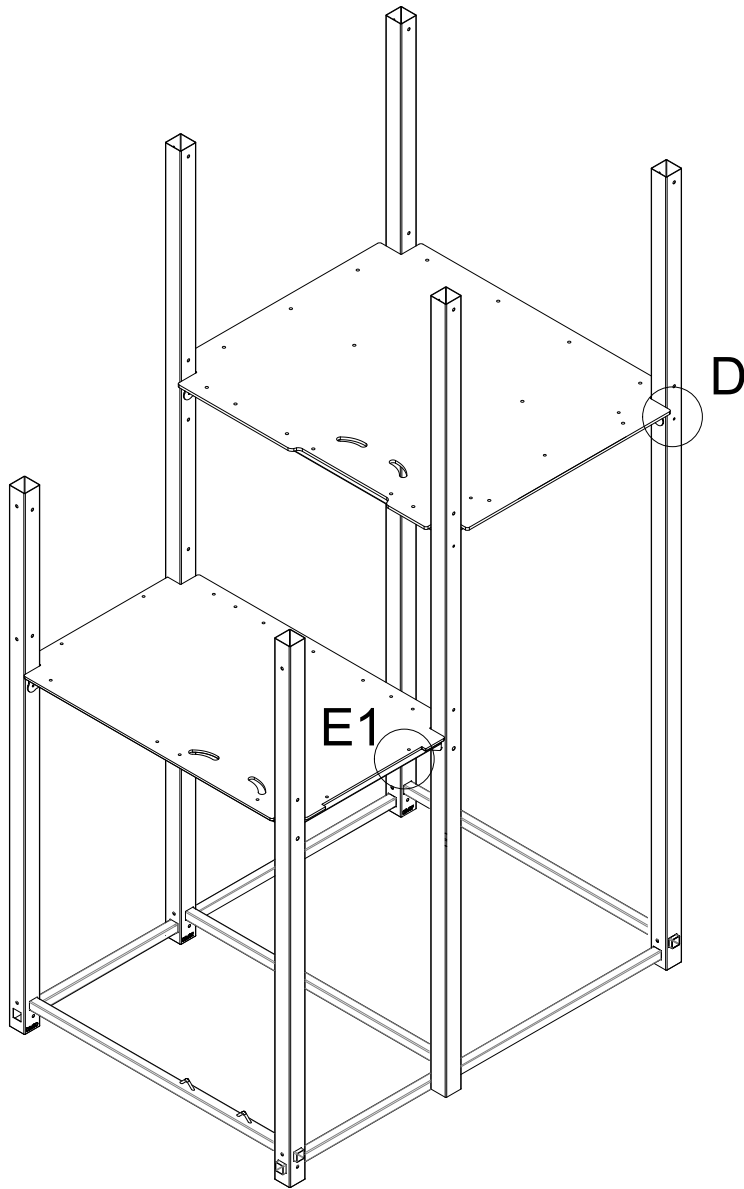
4



M10x60
x2

M10x60
x14

M10x80
x8



W1

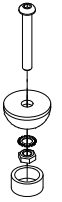
5



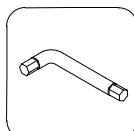
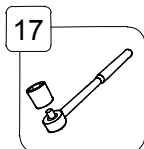
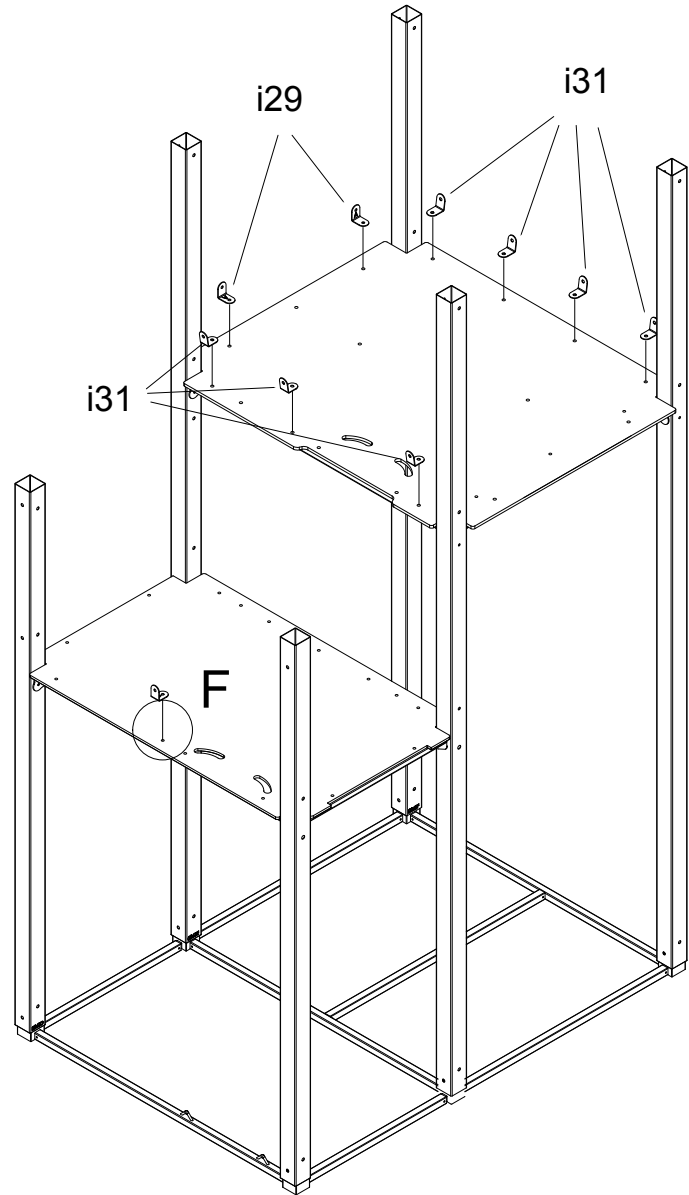
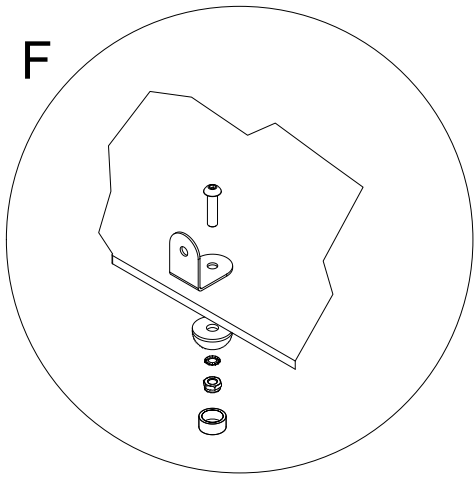
i29
x3



i31
x7



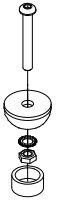
M10x65
x10



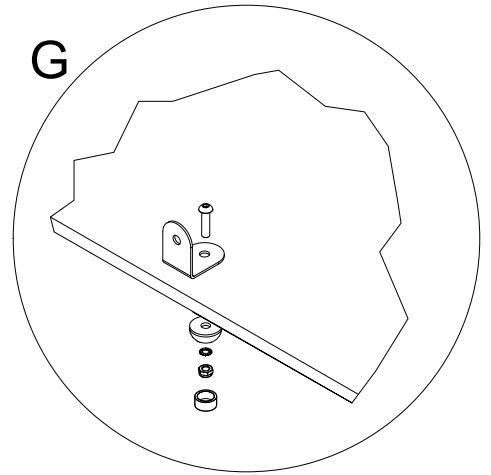
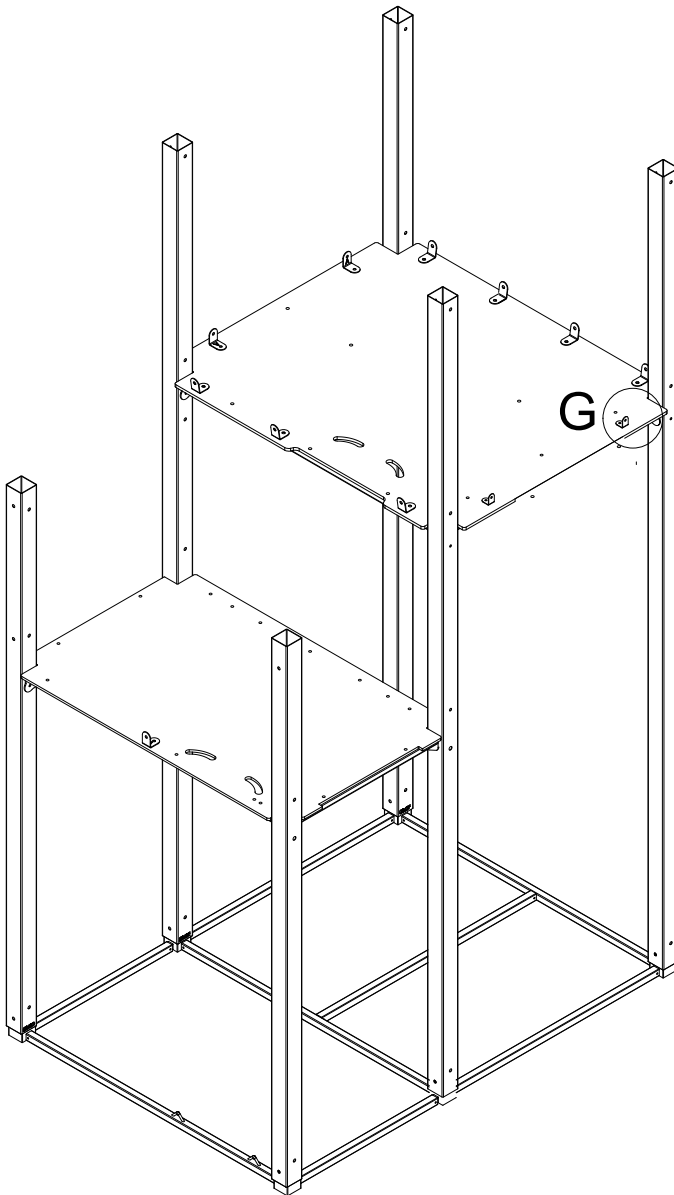
6



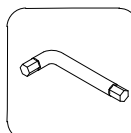
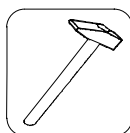
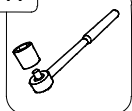
i31
x2



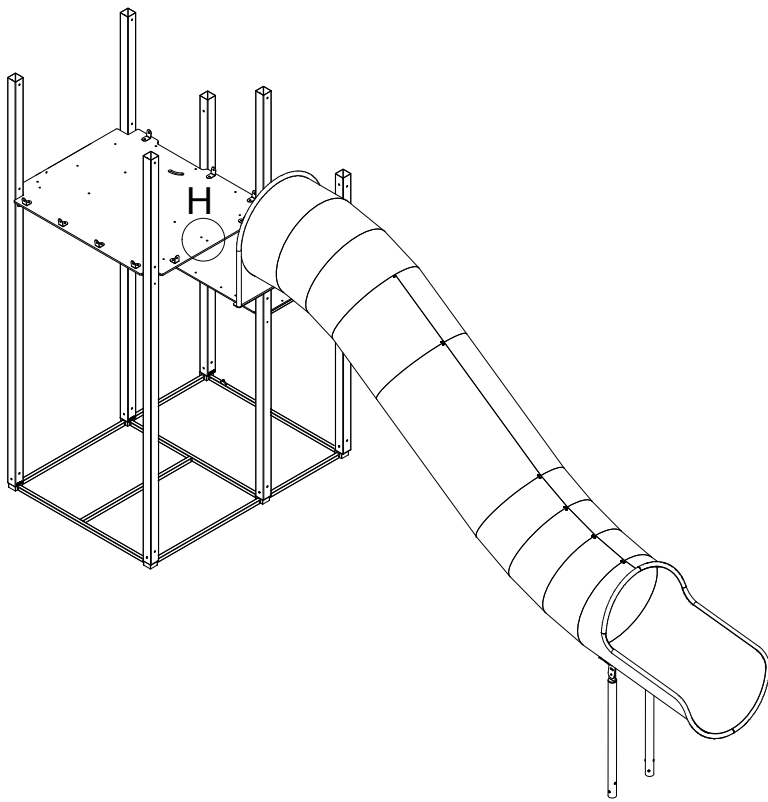
M10x65
x2




17



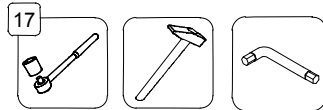
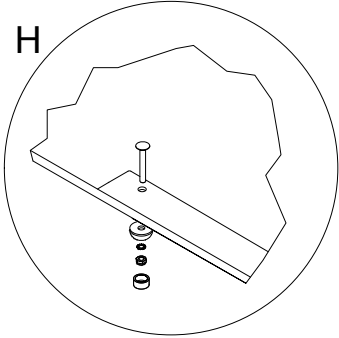
W1



7

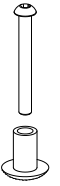


M10x35
x3

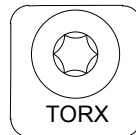
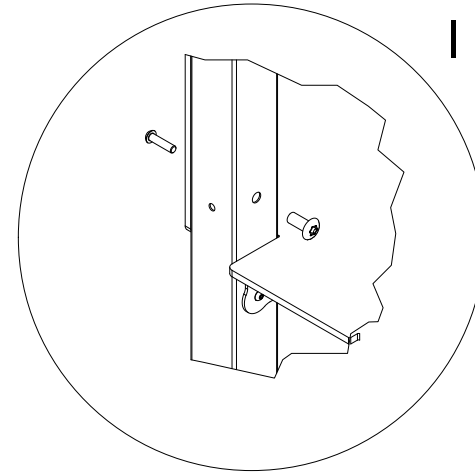
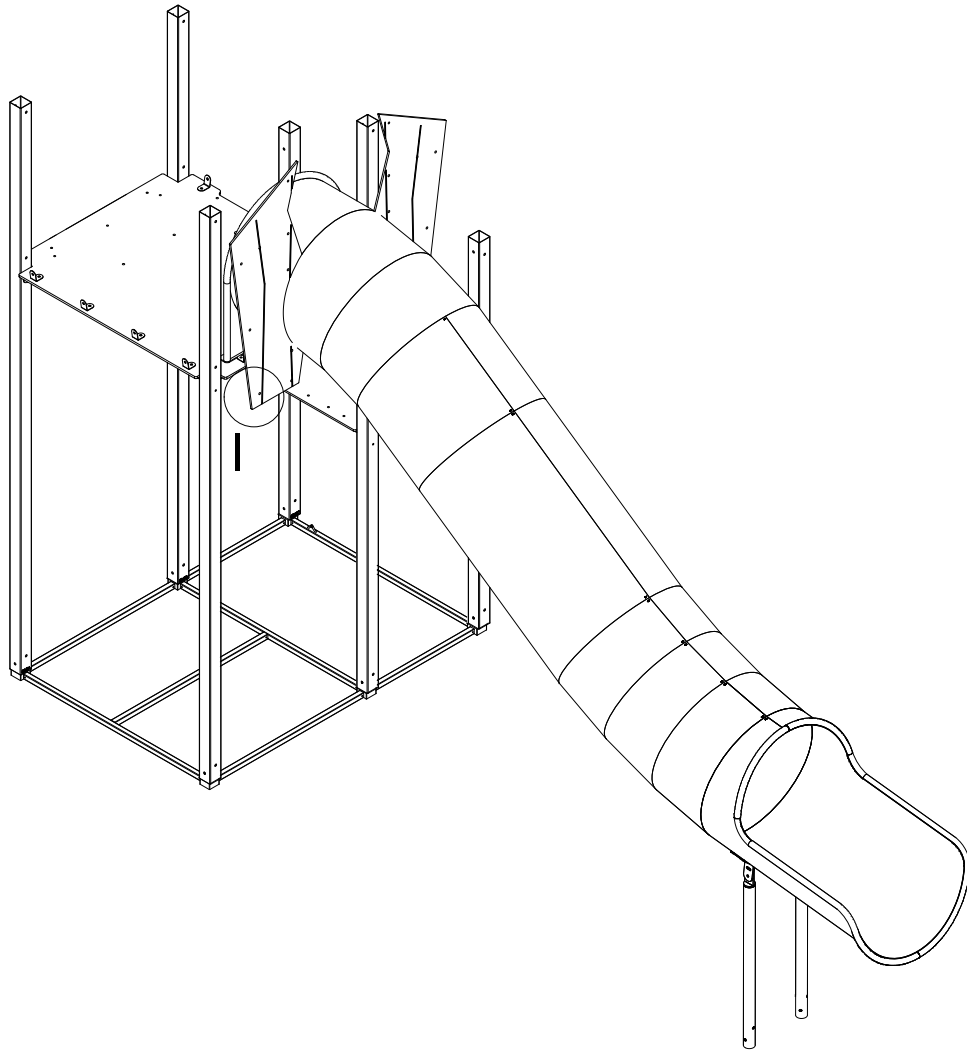


W1

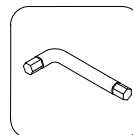
8



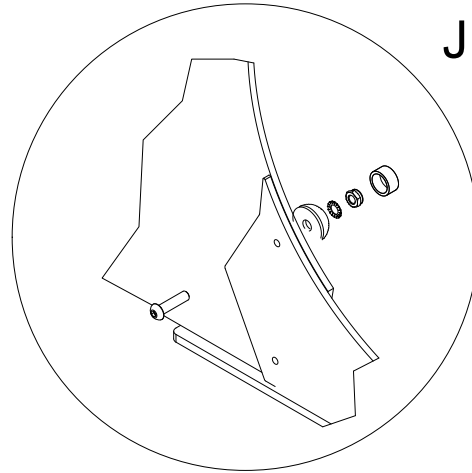
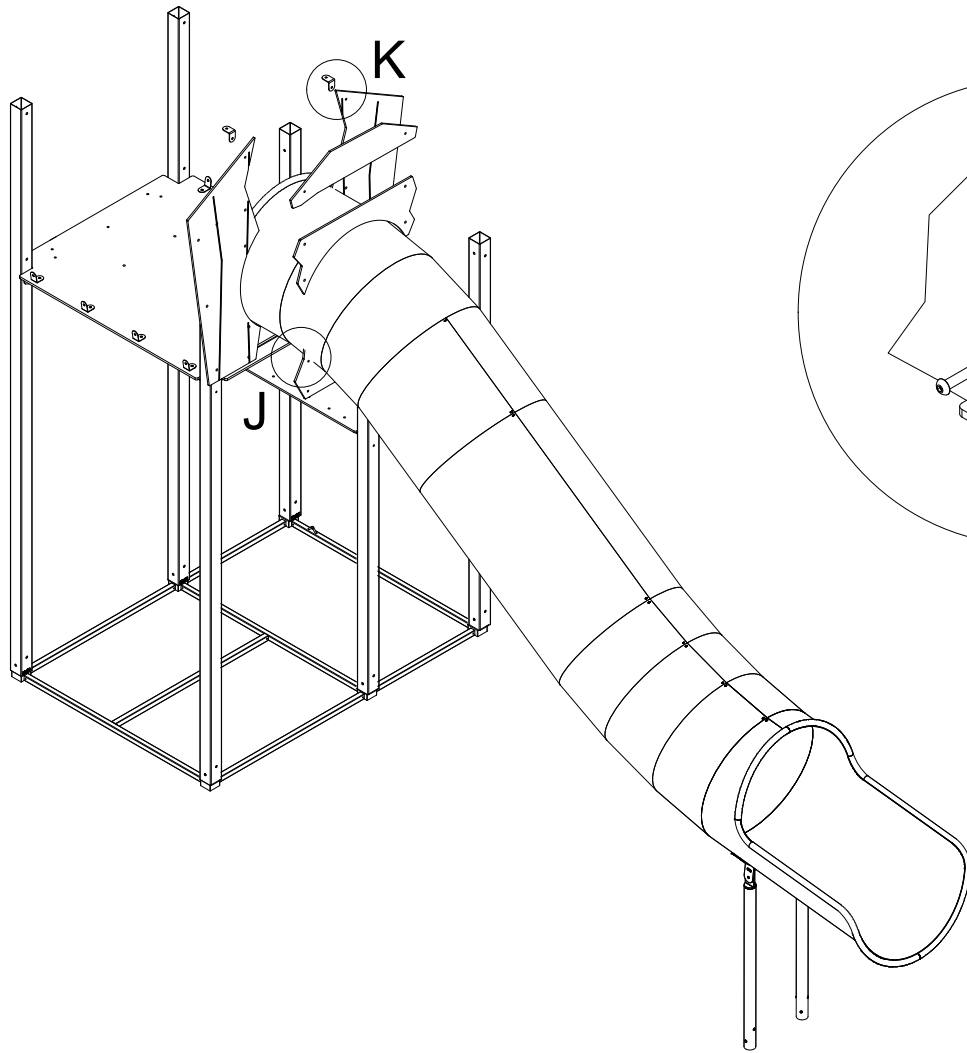
M10x80
x4



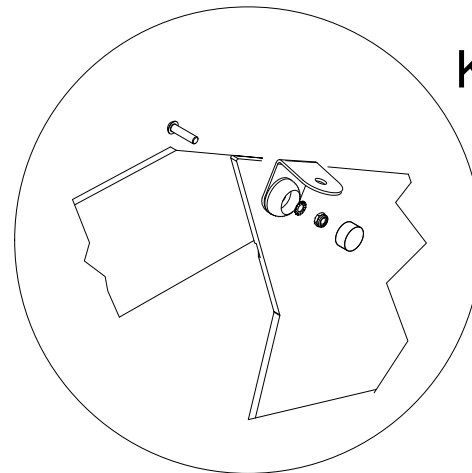
TORX






W1

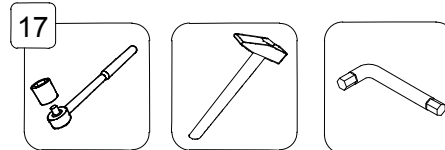


J

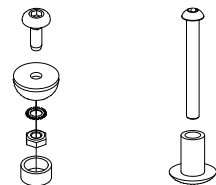


K

9	 M10x45 x4	 i29 x2	 M10x40 x6
---	--	--	--

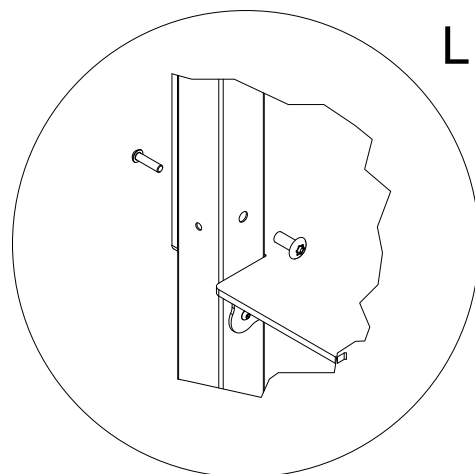
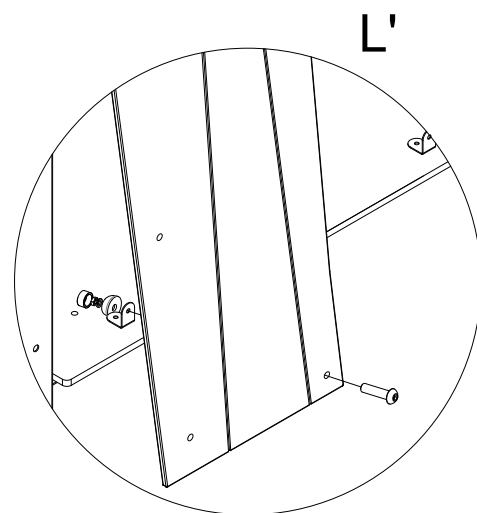
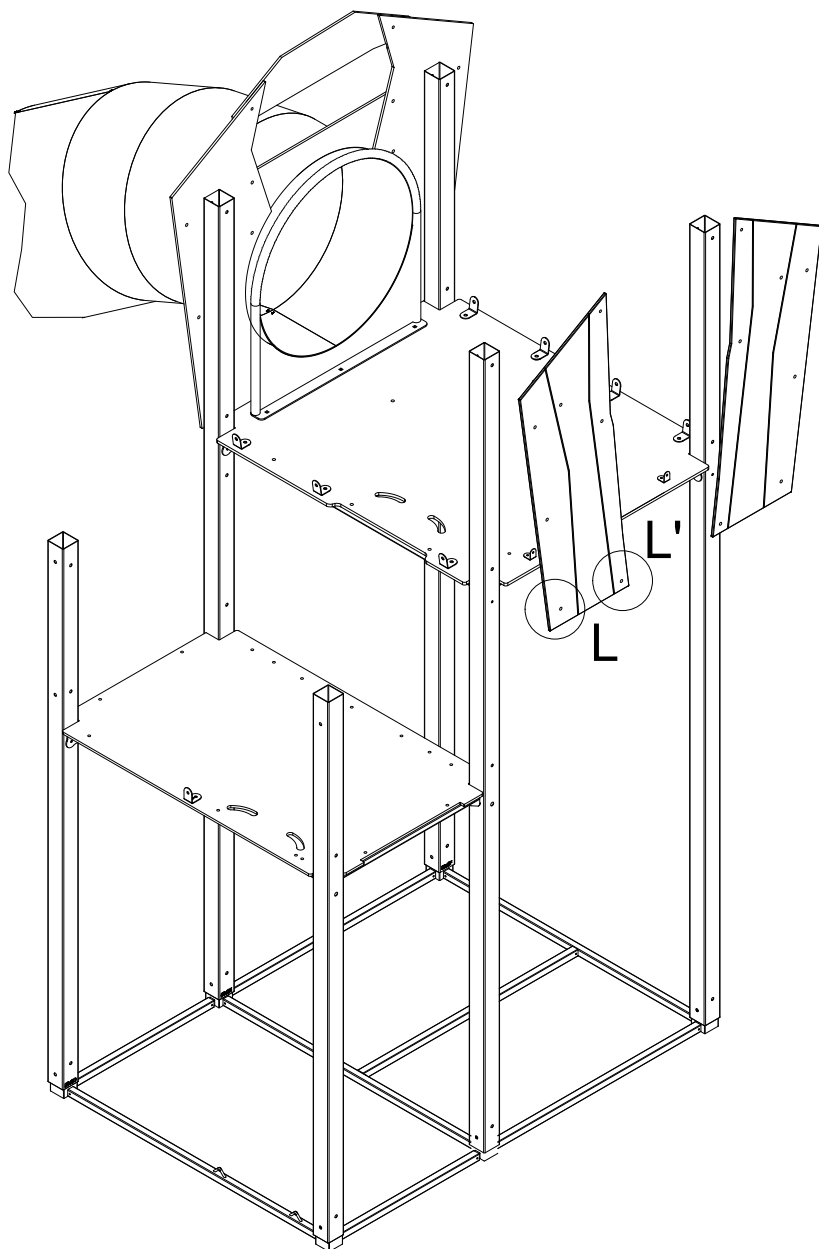


10

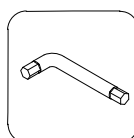


M10x30
x2

M10x80
x4



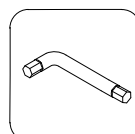
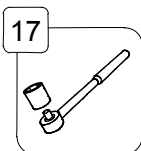
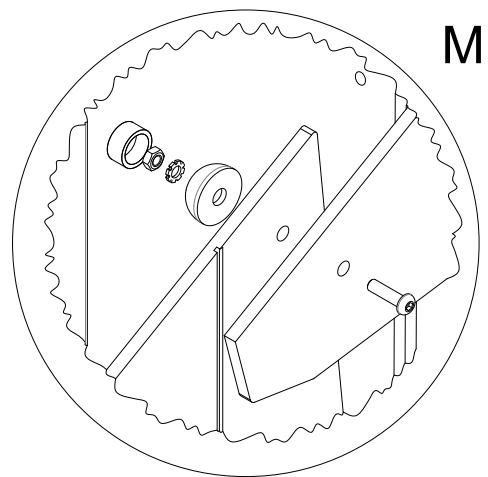
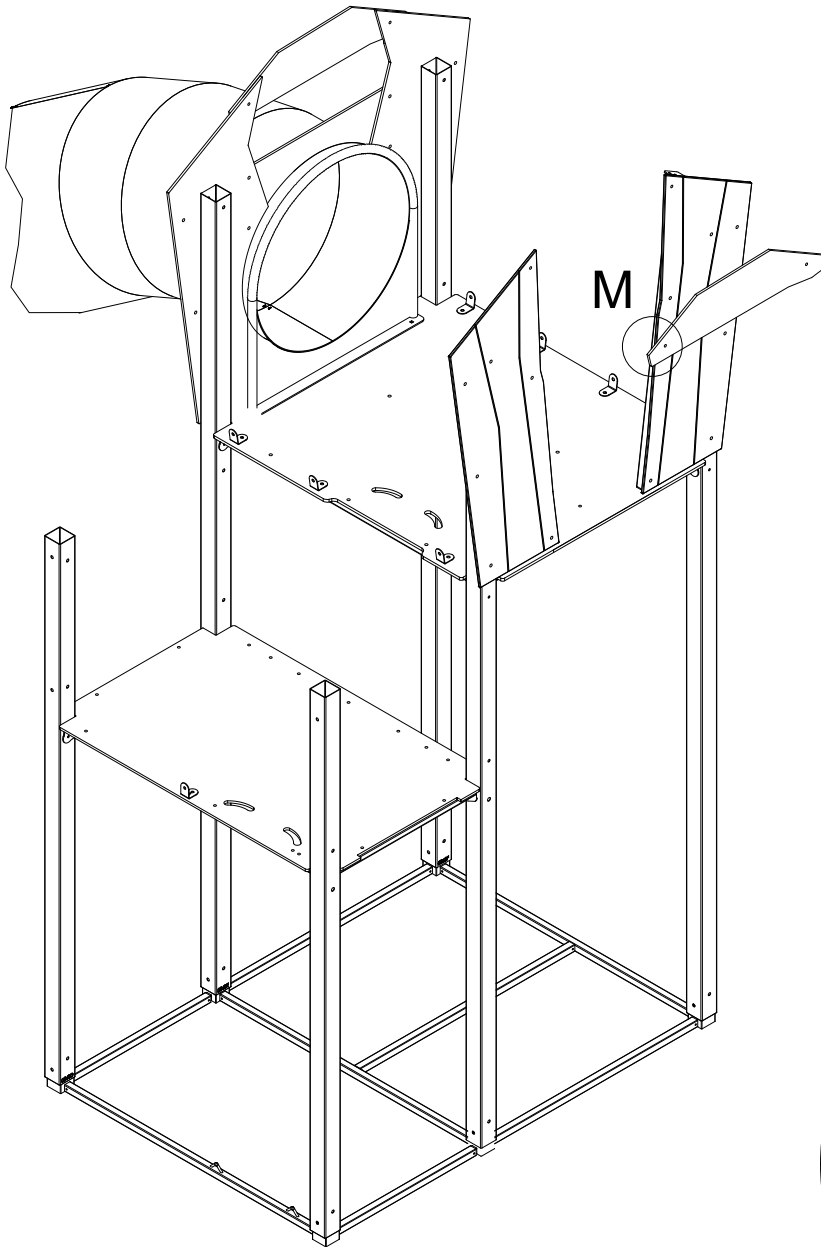
TORX



11



M10x35
x2



W1

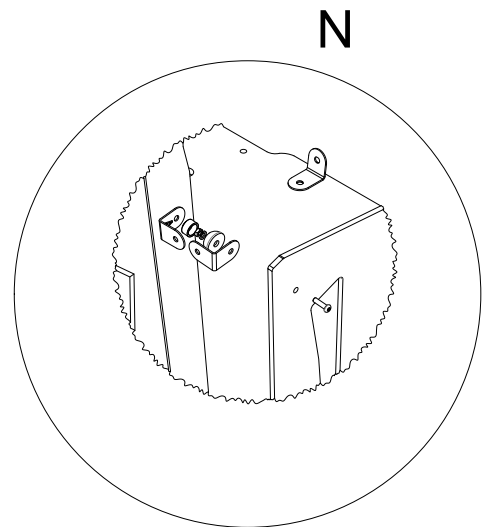
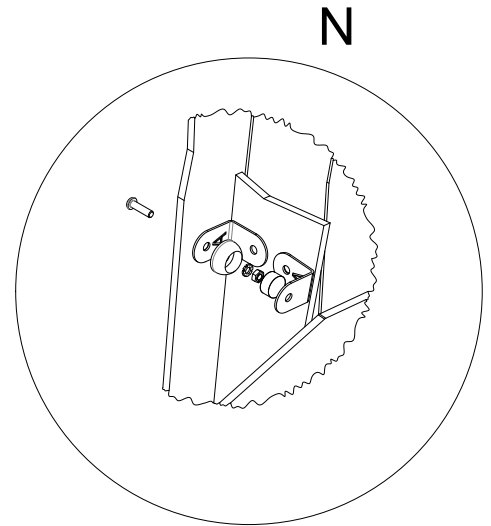
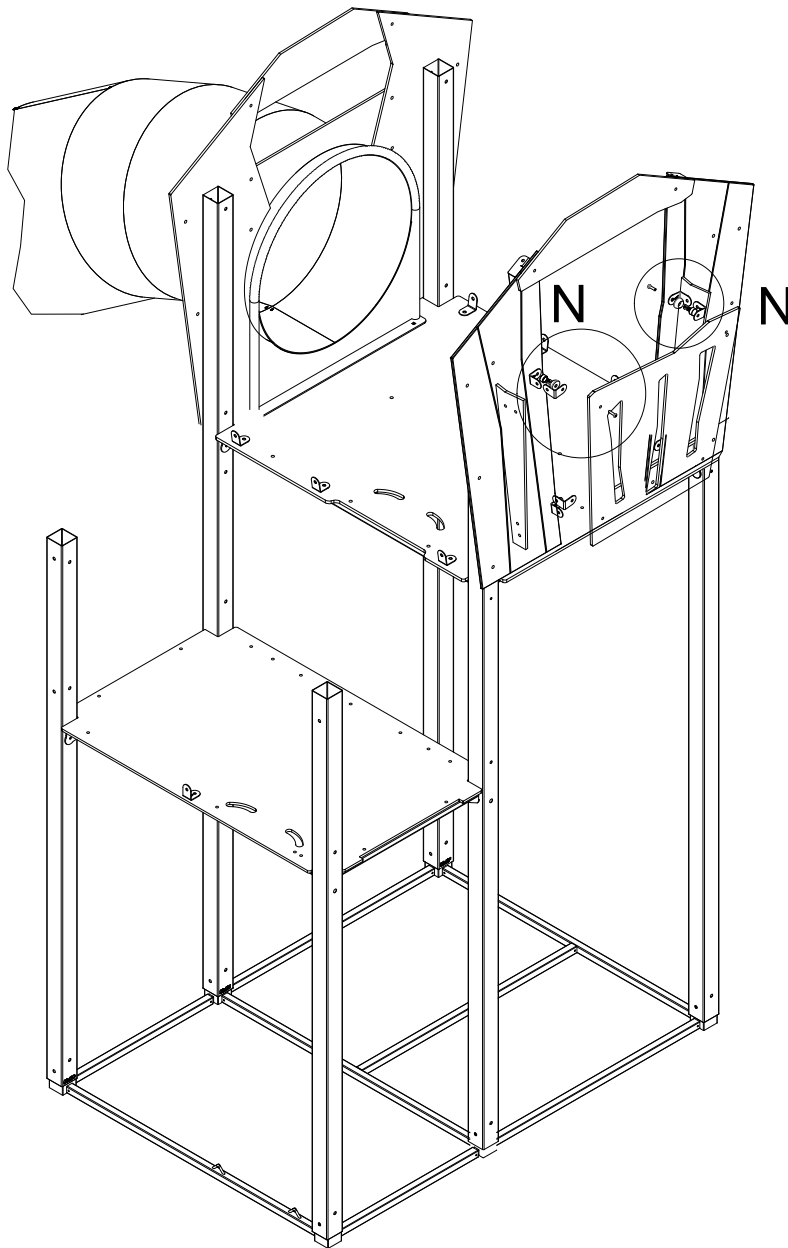
12



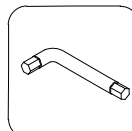
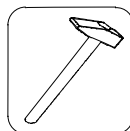
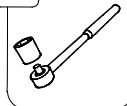
i29
x8



M10x30
x16



17



W1

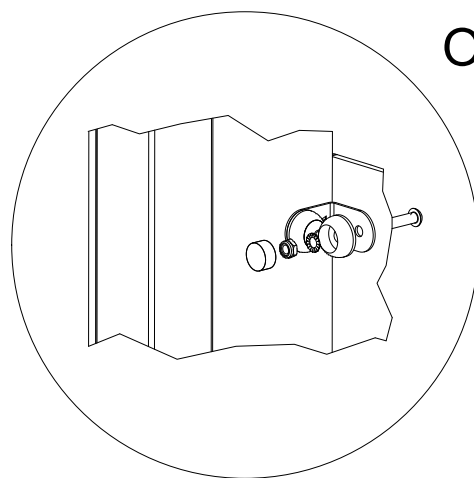
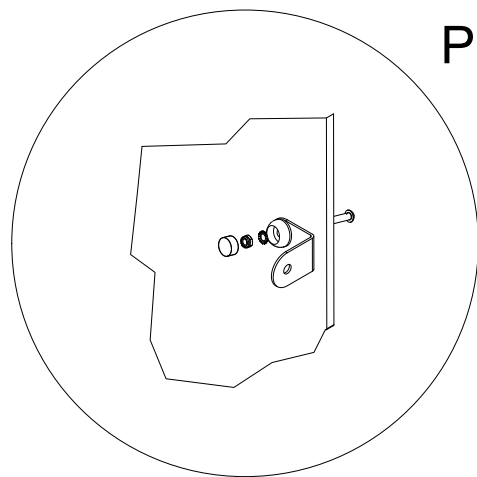
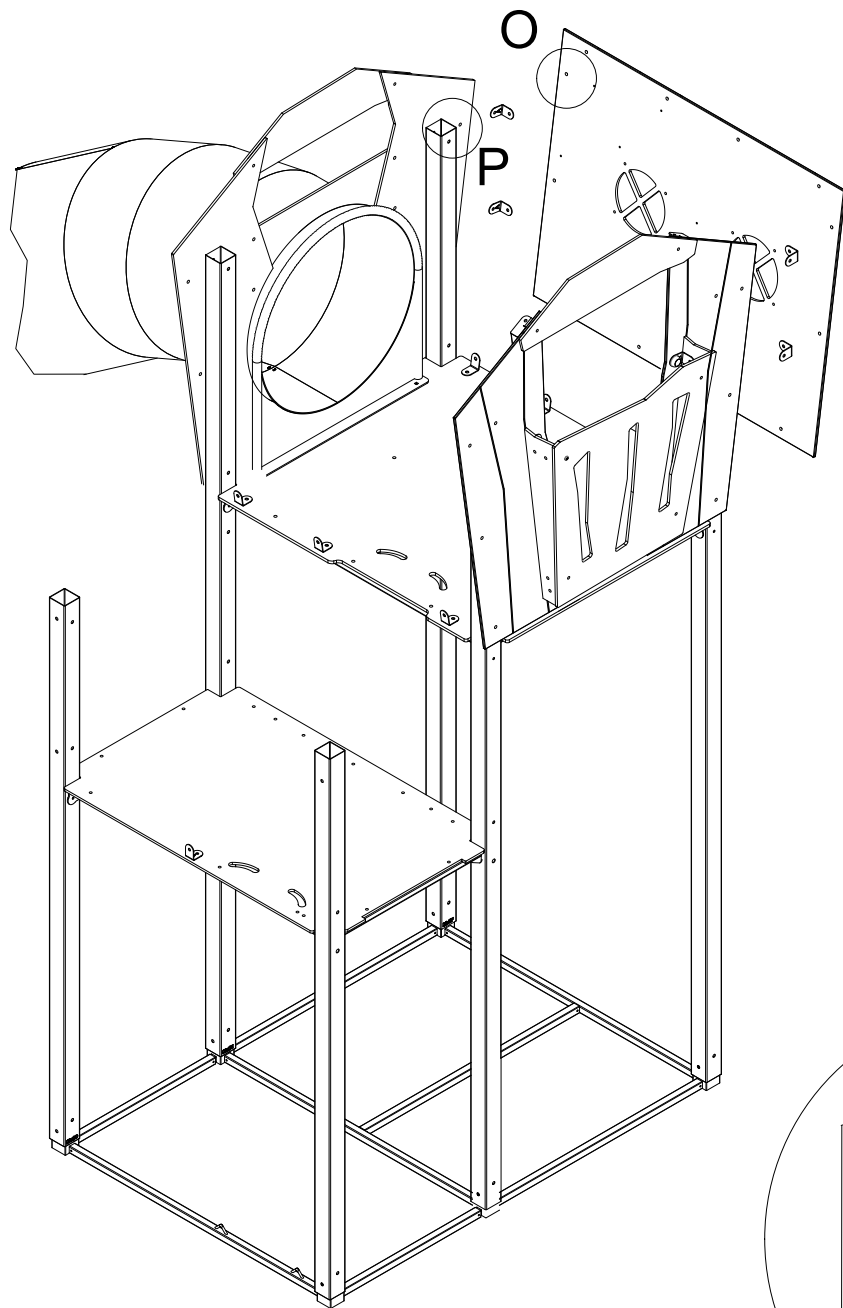
13



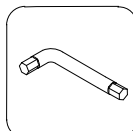
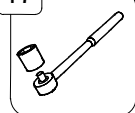
i29
x4



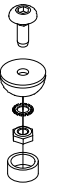
M10x30
x8



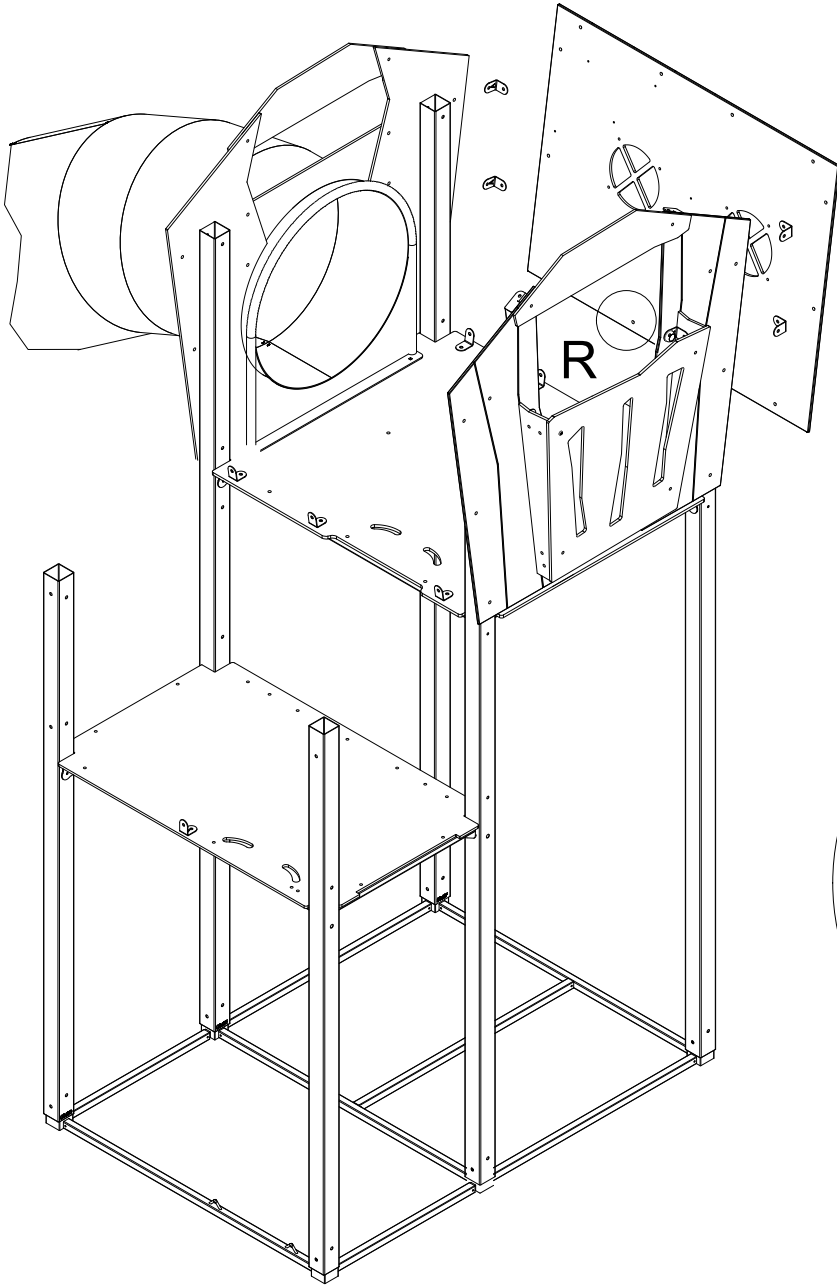
17



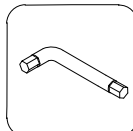
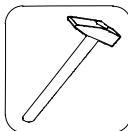
14



M10x30
x4



17

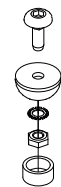


W1

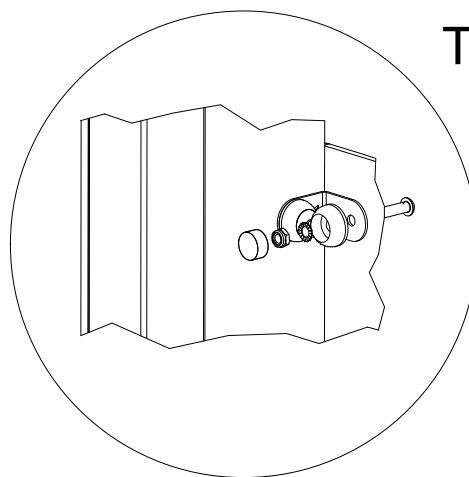
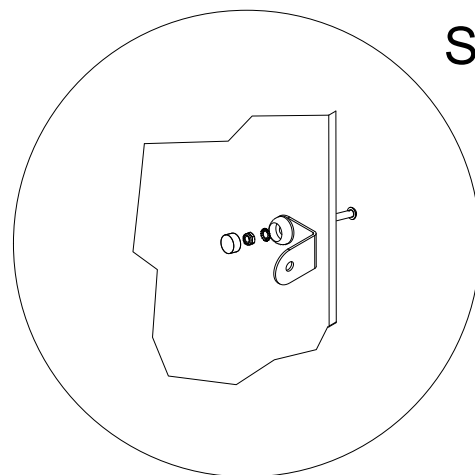
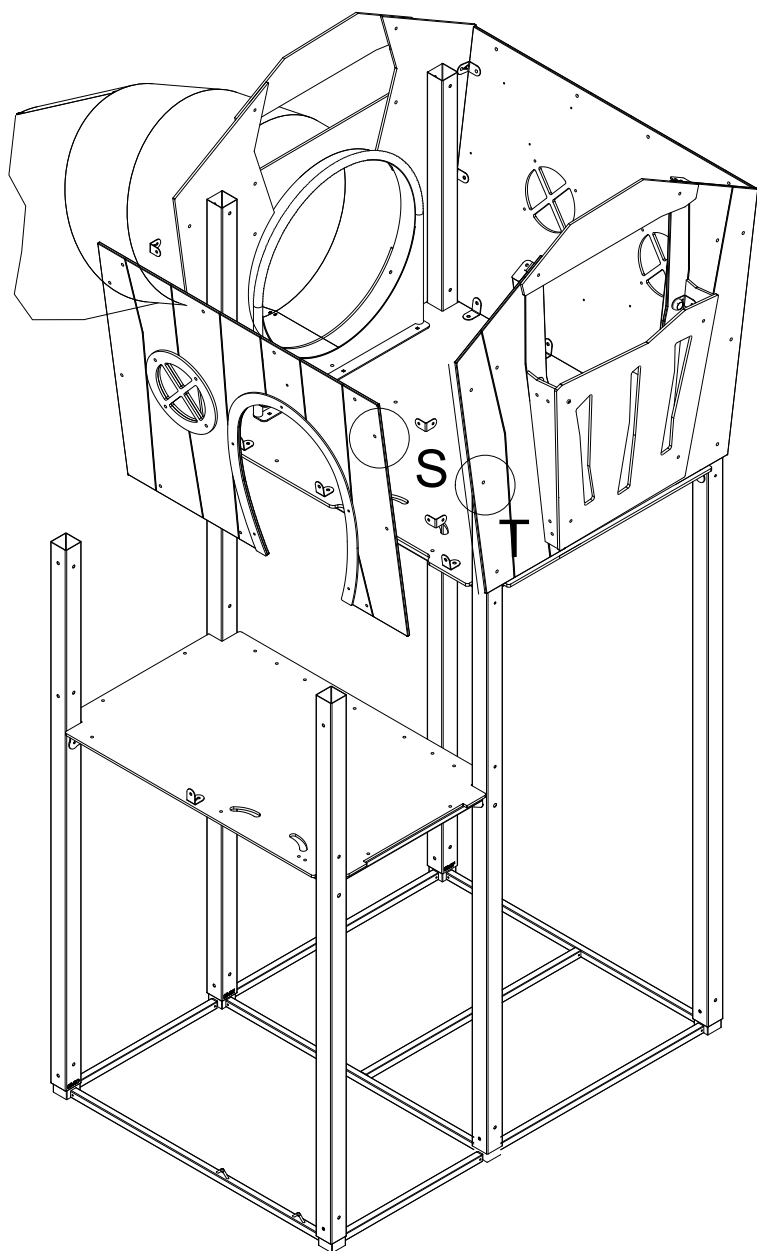
15



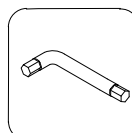
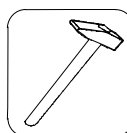
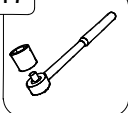
i29
x4



M10x30
x8



17

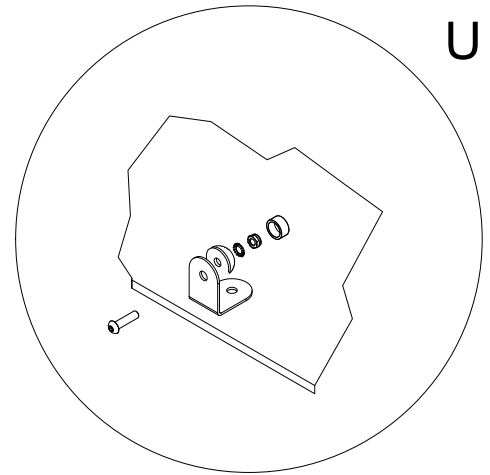
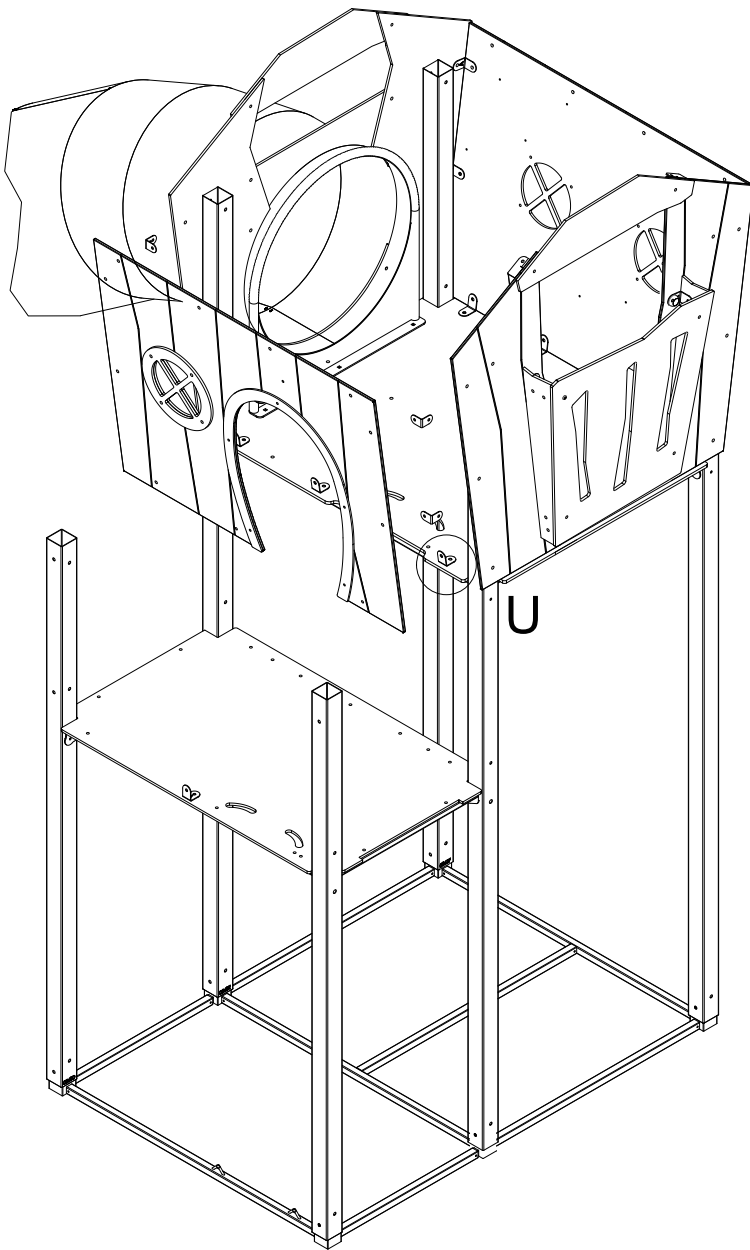


16

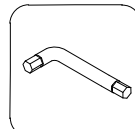
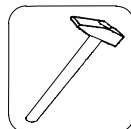


M10x30

x3

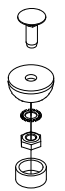


17

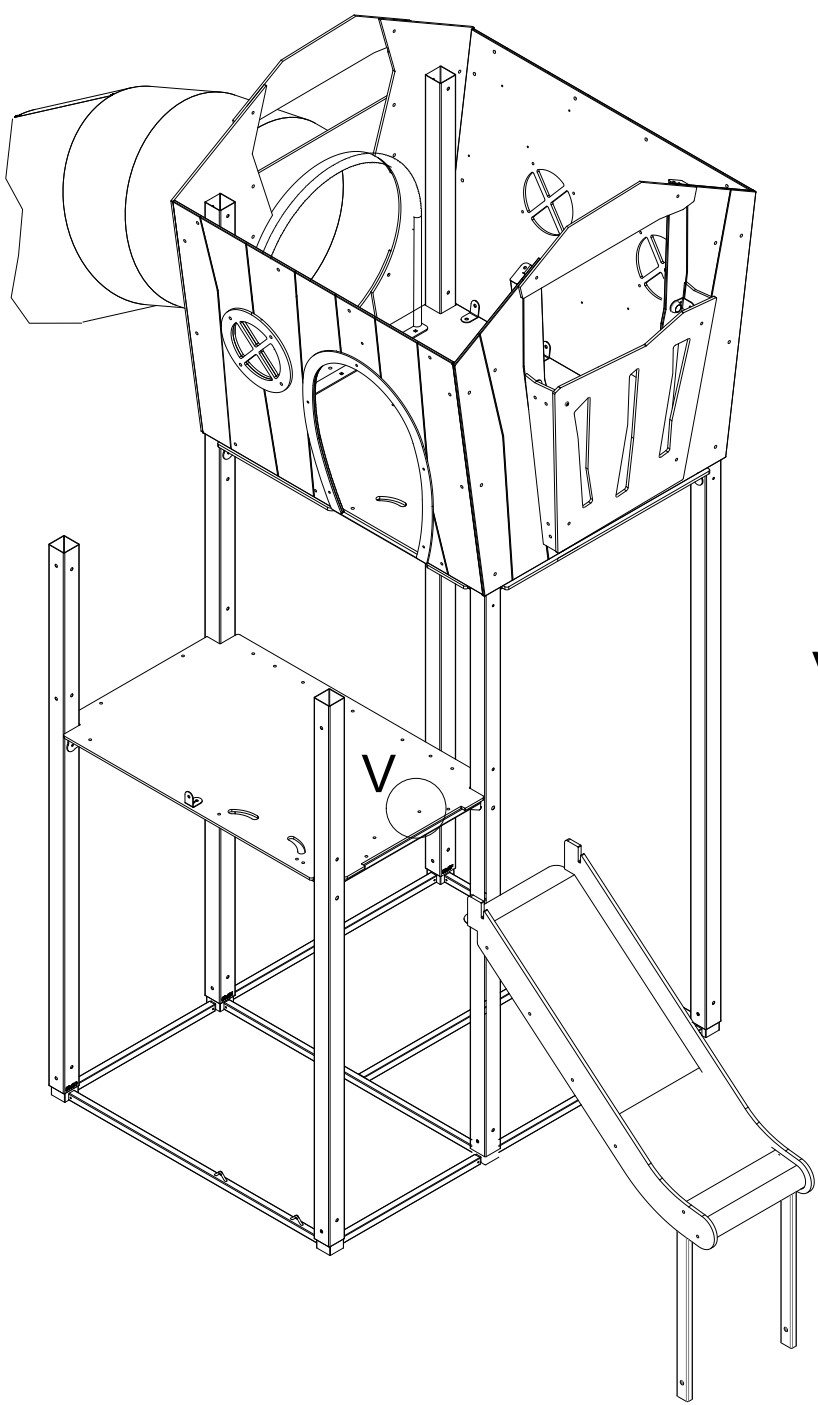


W1

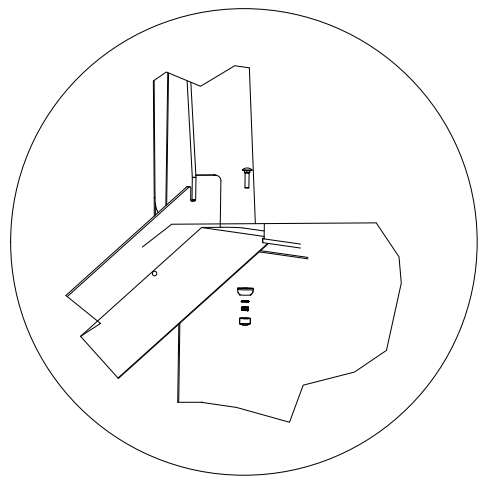
17



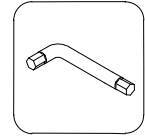
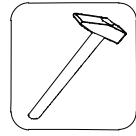
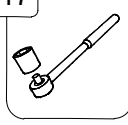
M8x35
x2



V

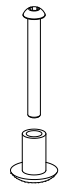


17

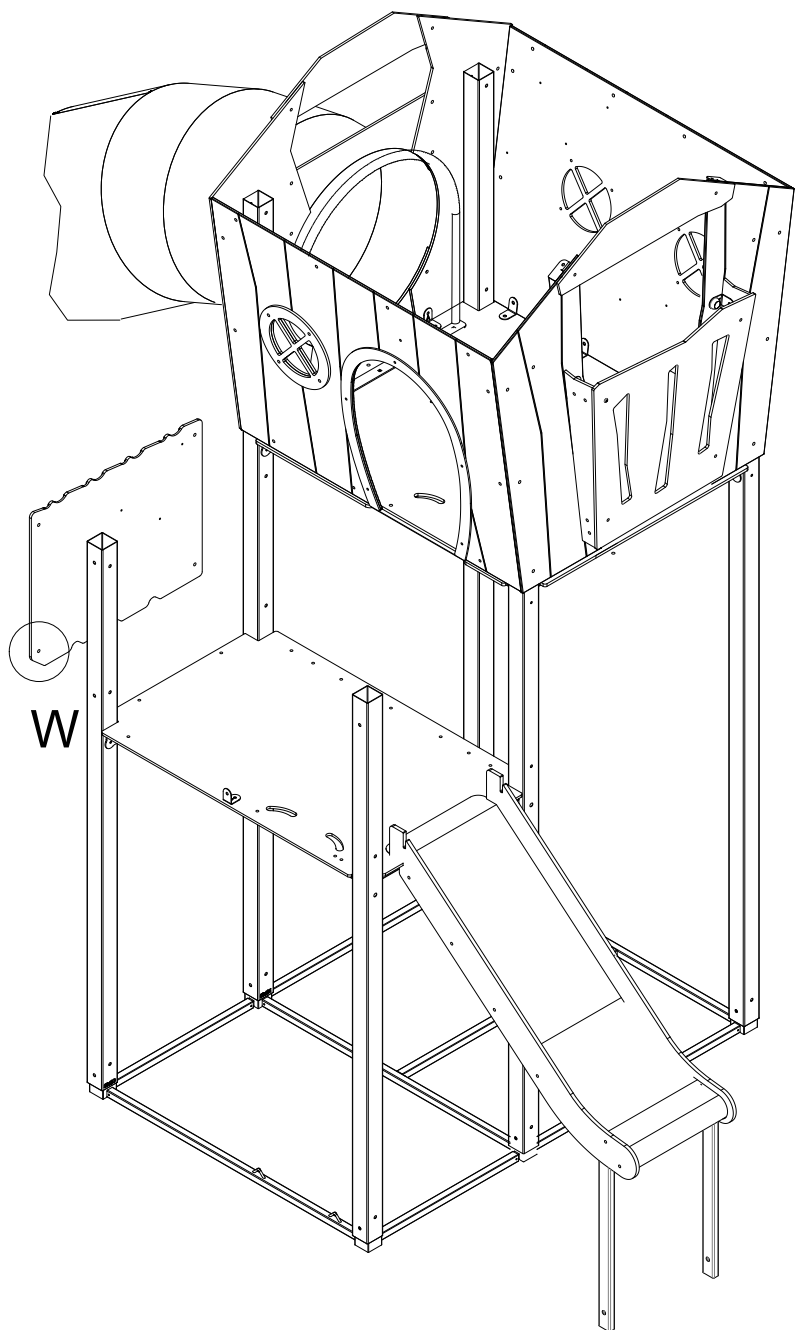


W1

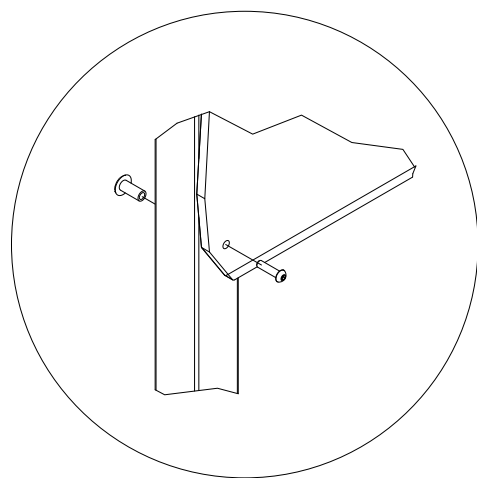
19



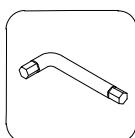
M10x80
x4



W



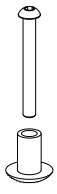
TORX



W1



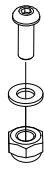
M10x30
x2



M10x80
x2



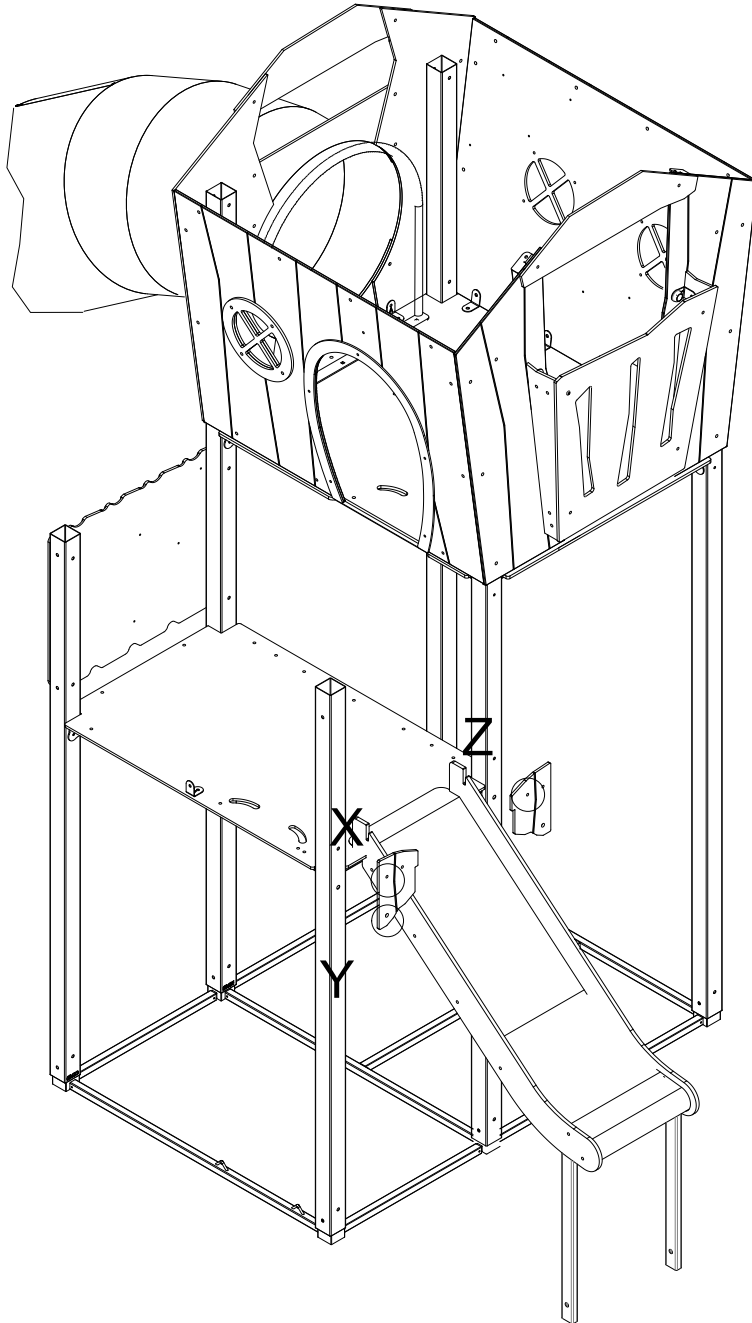
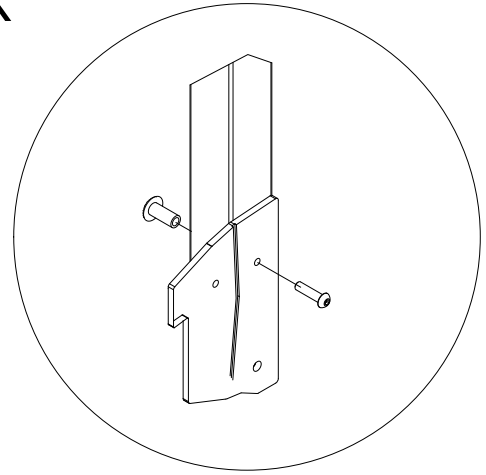
i29
x2



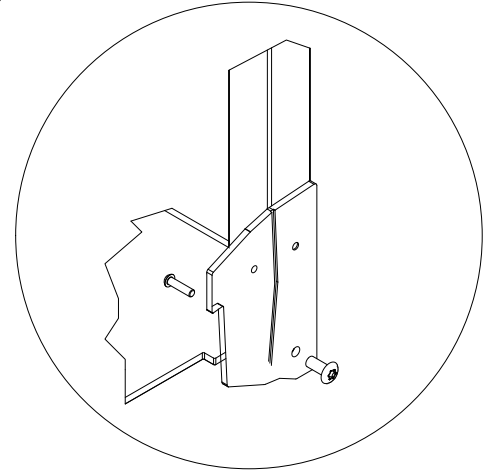
M10x25
x2

18

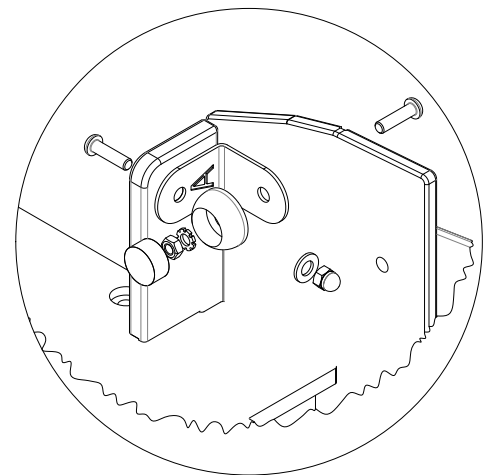
X



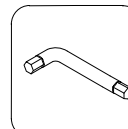
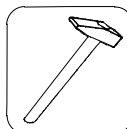
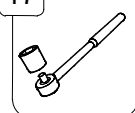
Y



Z



17



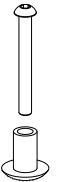
W1

20



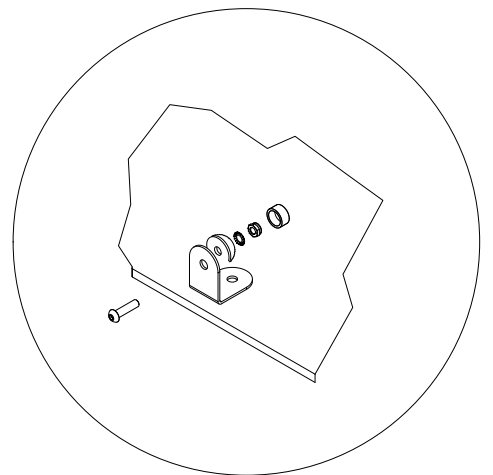
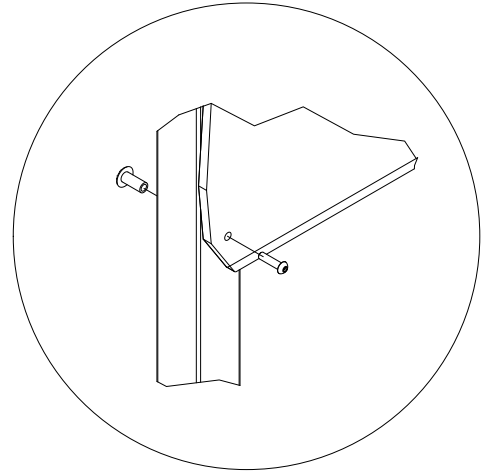
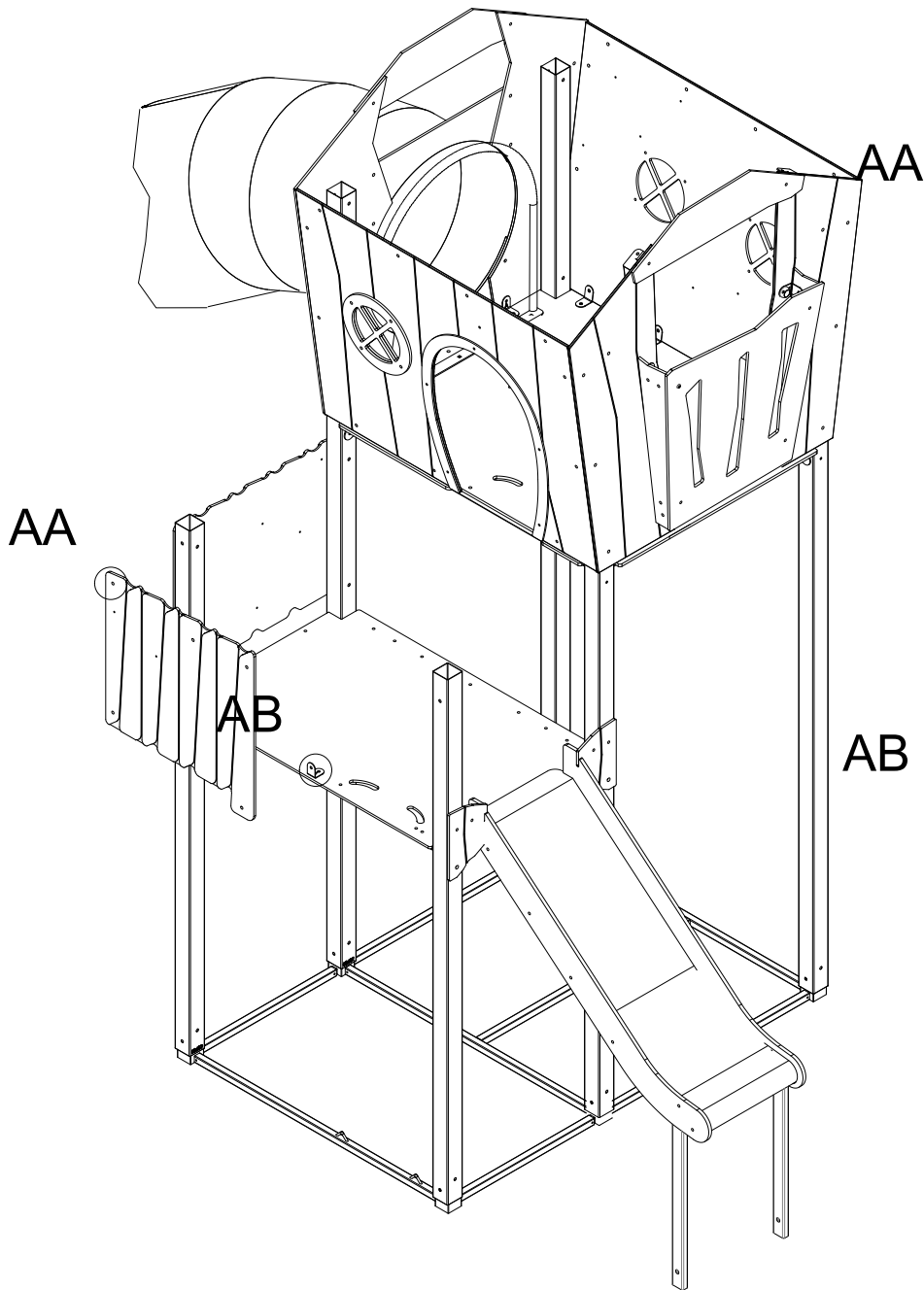
M10x30

x1

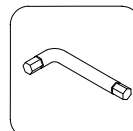
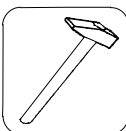
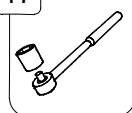


M10x80

x2



17



W1

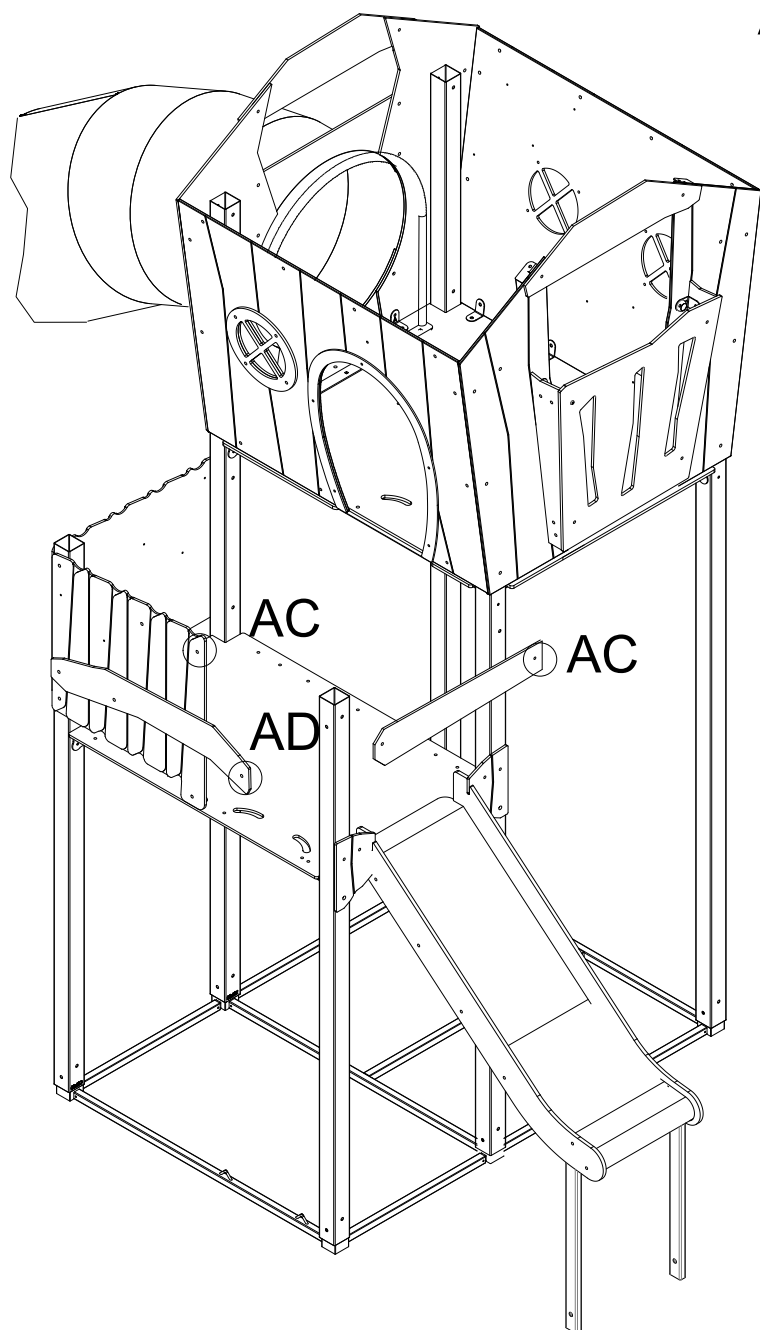
21



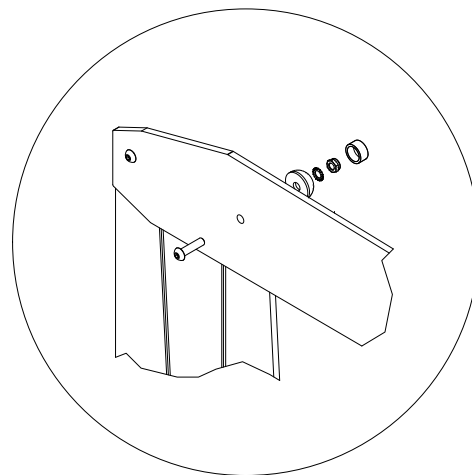
M10x80
x3



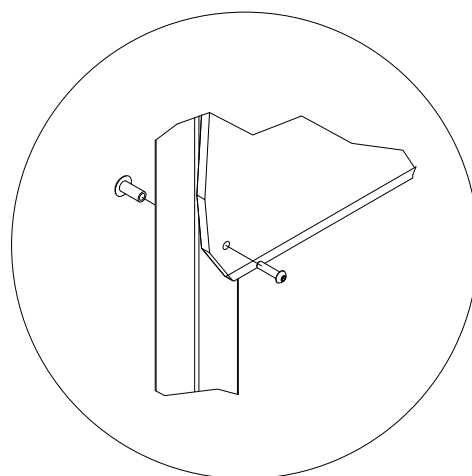
M10x30
x2



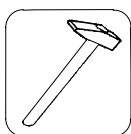
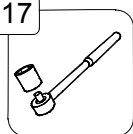
AC



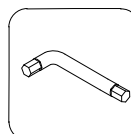
AD



17

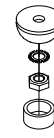


TORX



W1

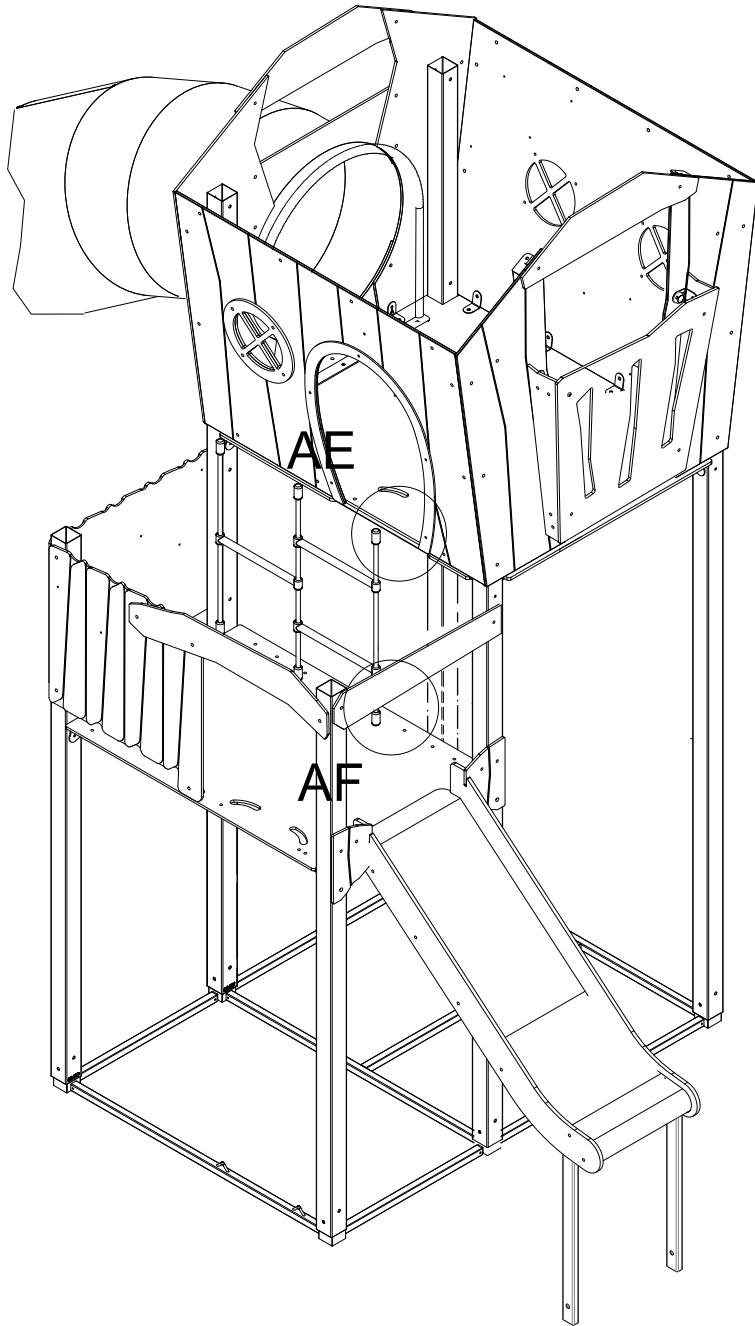
22



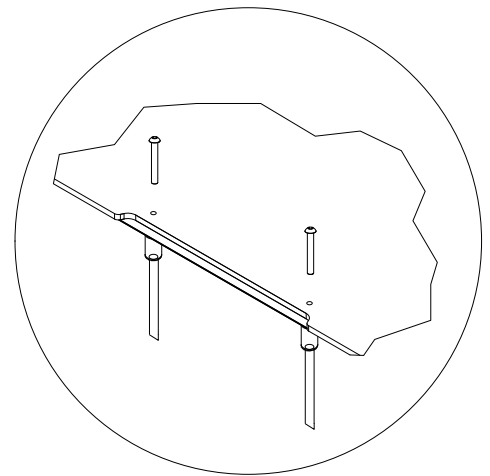
M10
x3



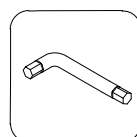
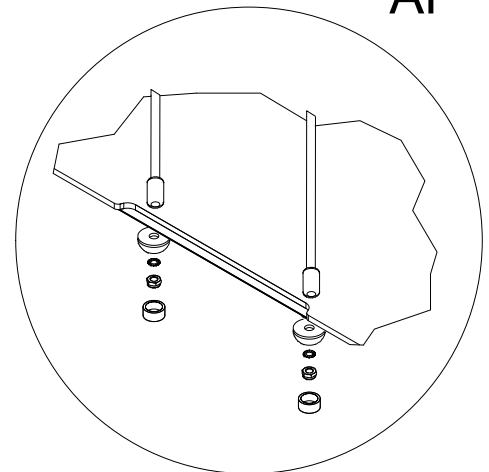
M10x60
x3



AE



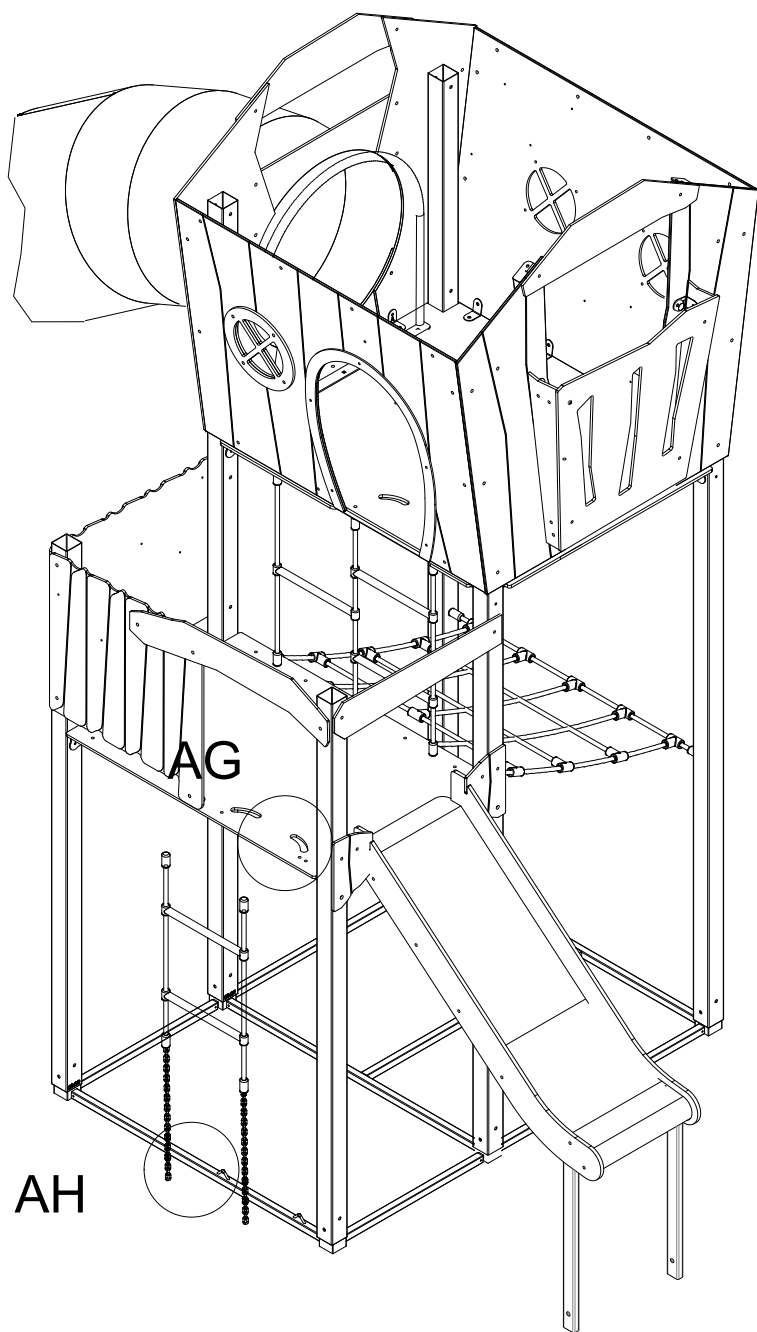
AF



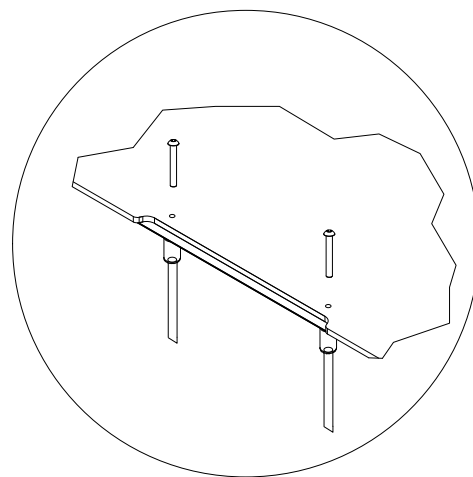
23



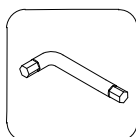
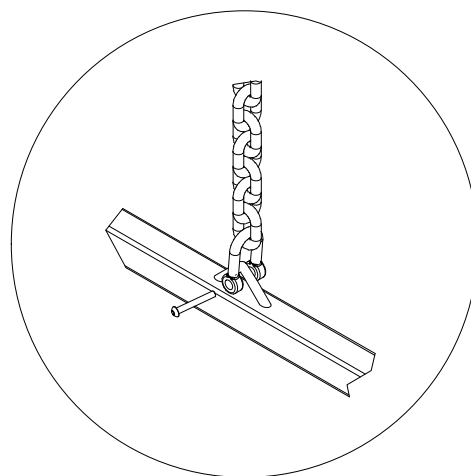
M10x60
x2



AG



AH

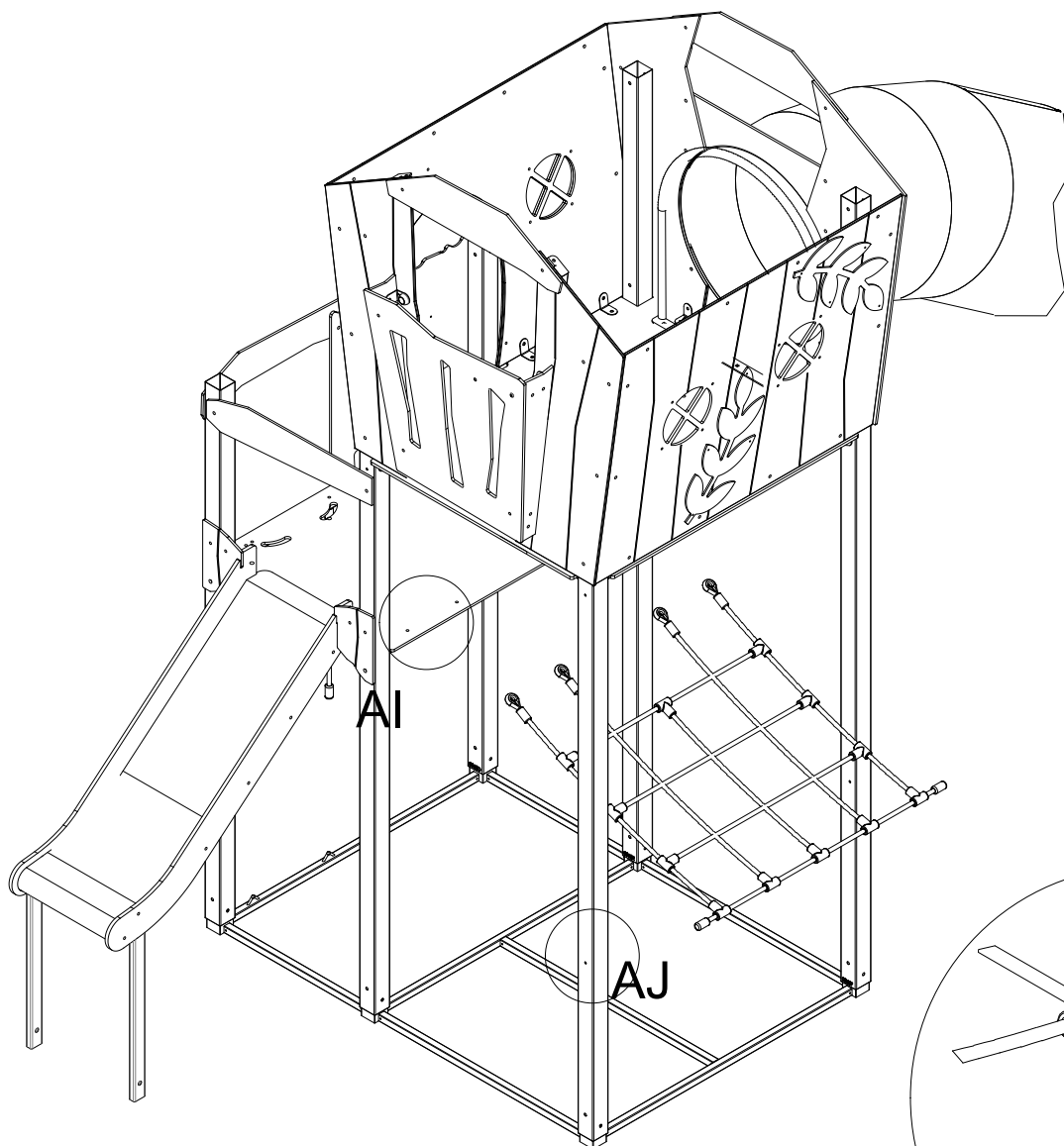


24



M10x60
x4

M10
x2

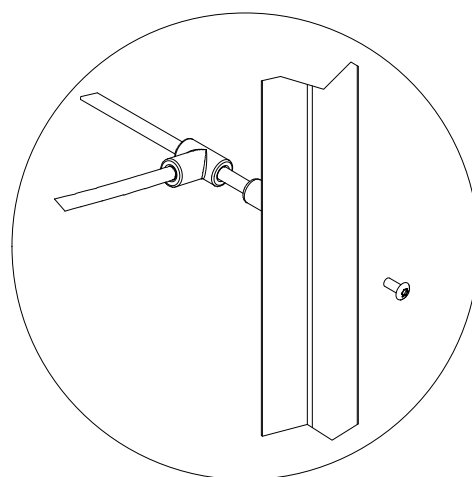
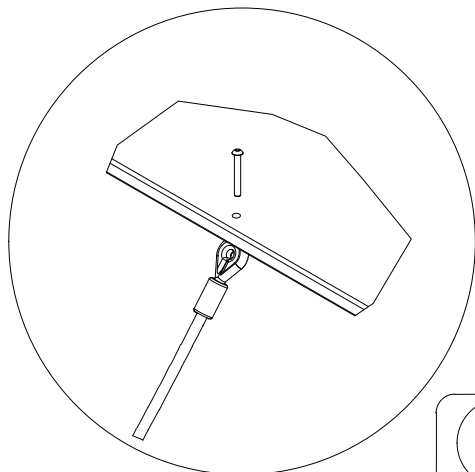


AI

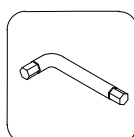
AJ

AJ

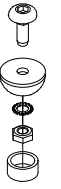
AI



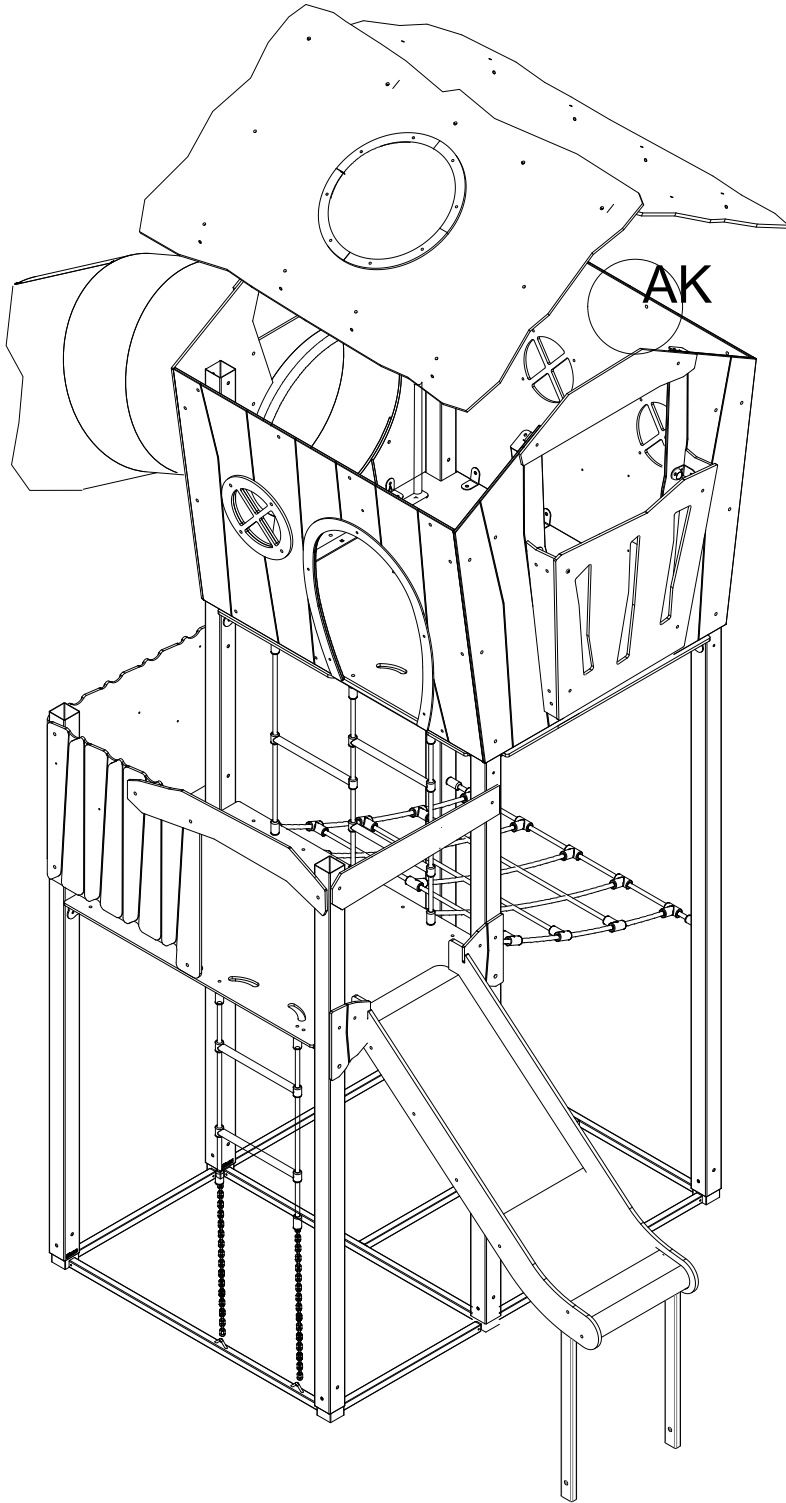
W1



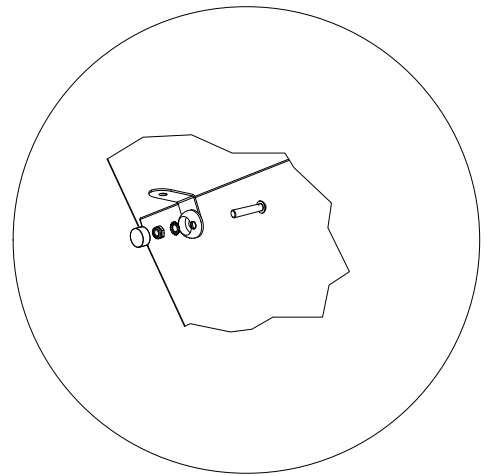
25



M10x30
x12



AK



17





0364



0364



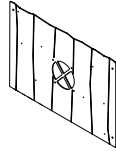
0362



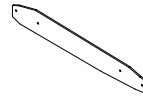
031141
x2



031140
x2



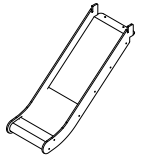
031269
x2



031137
x3



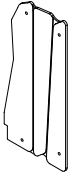
034112
x2



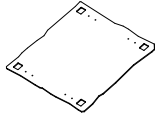
044106
x1



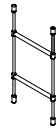
031135
x1



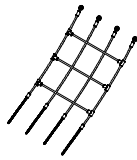
031136
x1



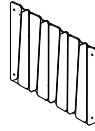
031142
x1



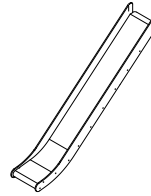
034110
x1



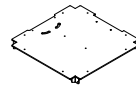
034111
x1



031264
x1



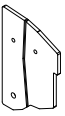
044107
x1



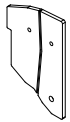
034128
x1



034129
x1



031182
x1



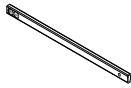
031183
x1



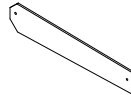
031260
x5



031254
x2



992105
x4

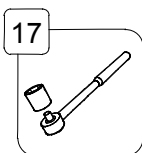
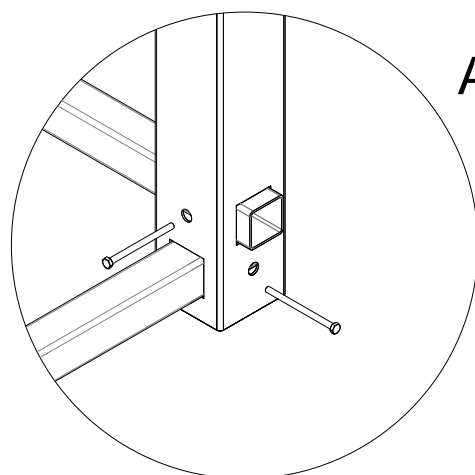
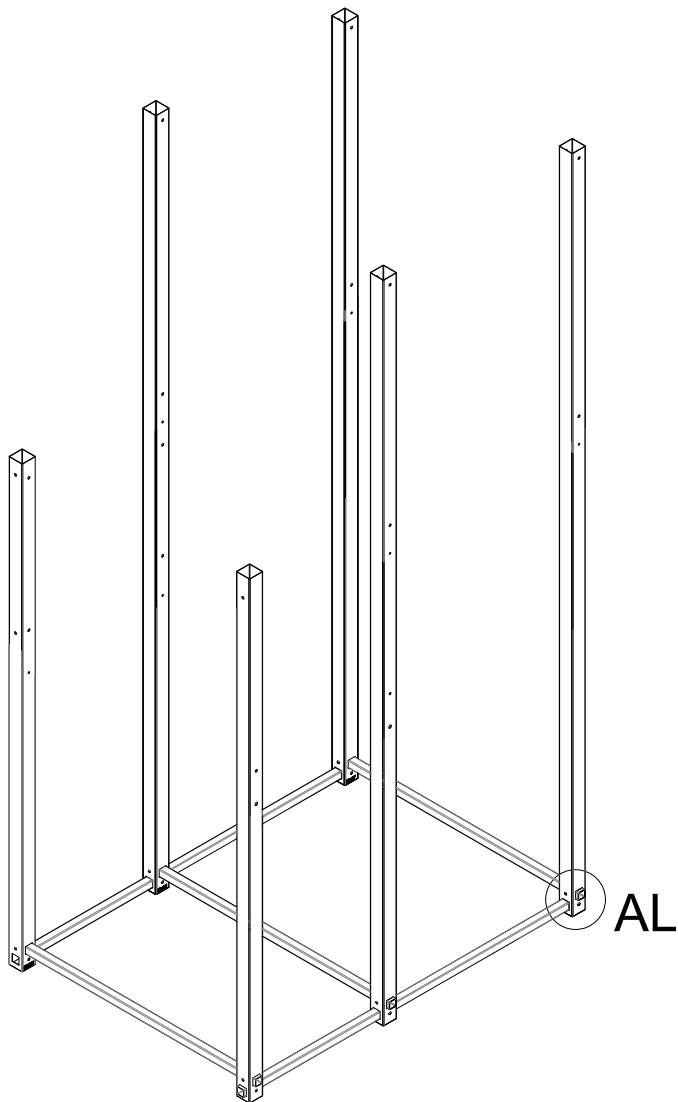


031286
x1

26

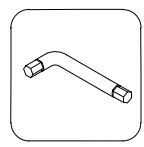
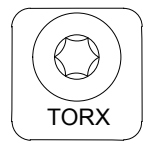
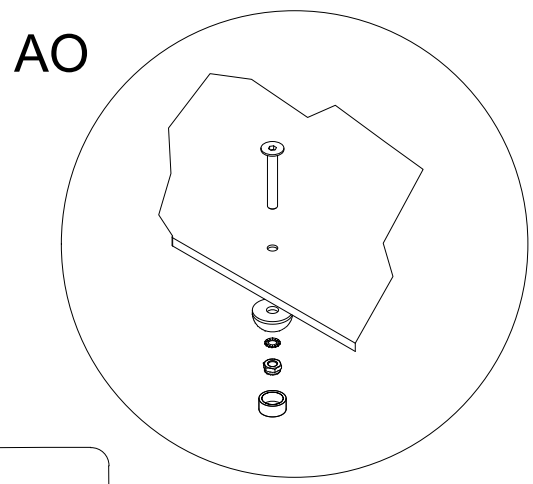
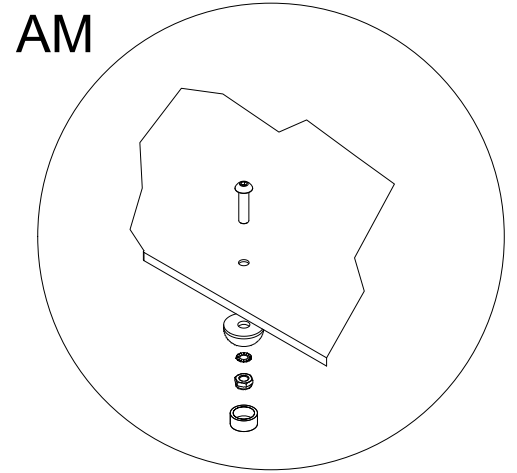
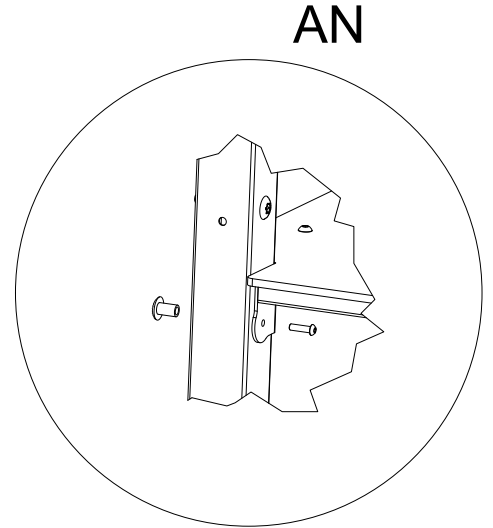
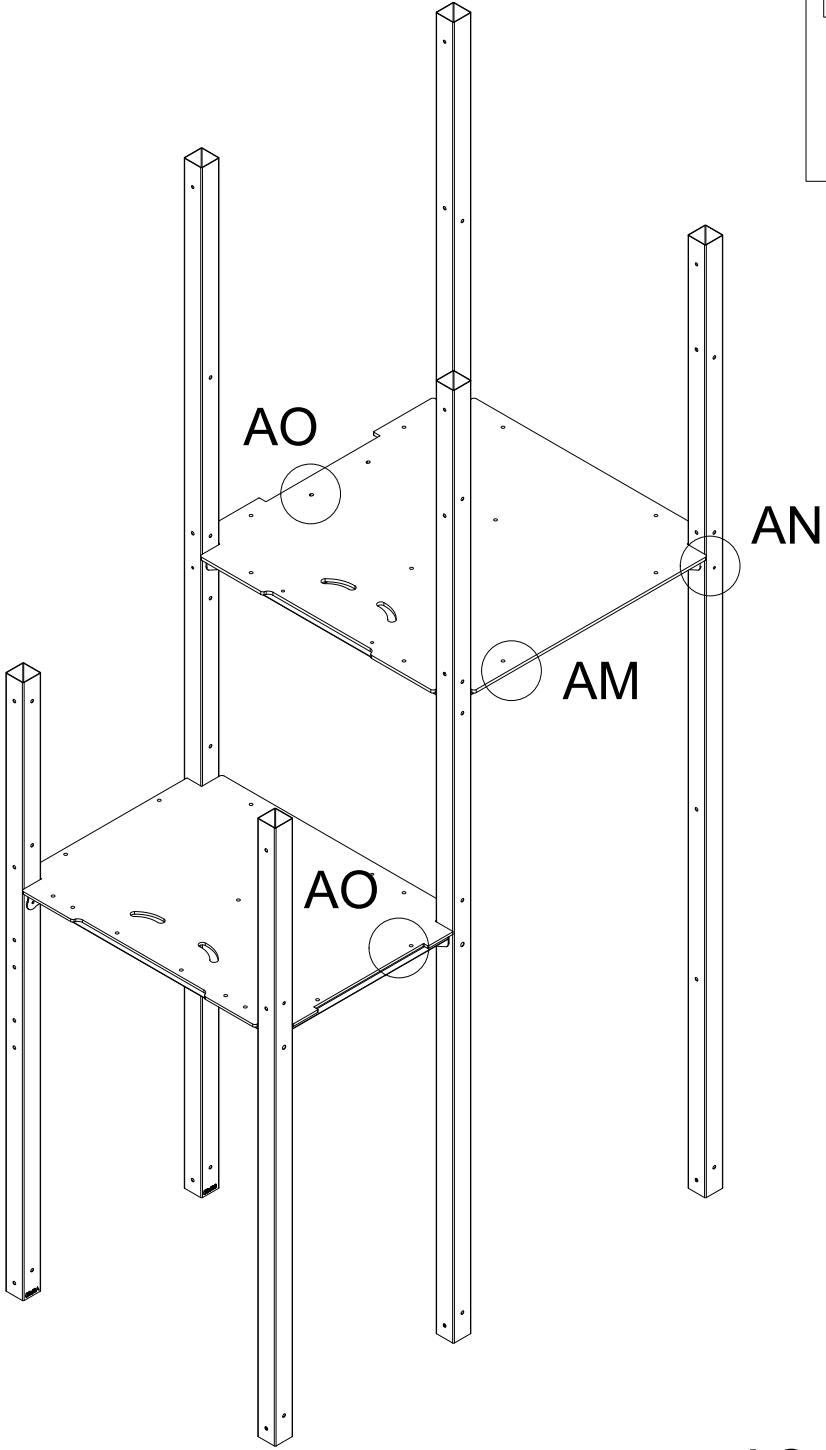


M10x90
x12



27

M10x60 x4 M10x60 x11 M10x80 x8

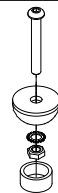


W2

28

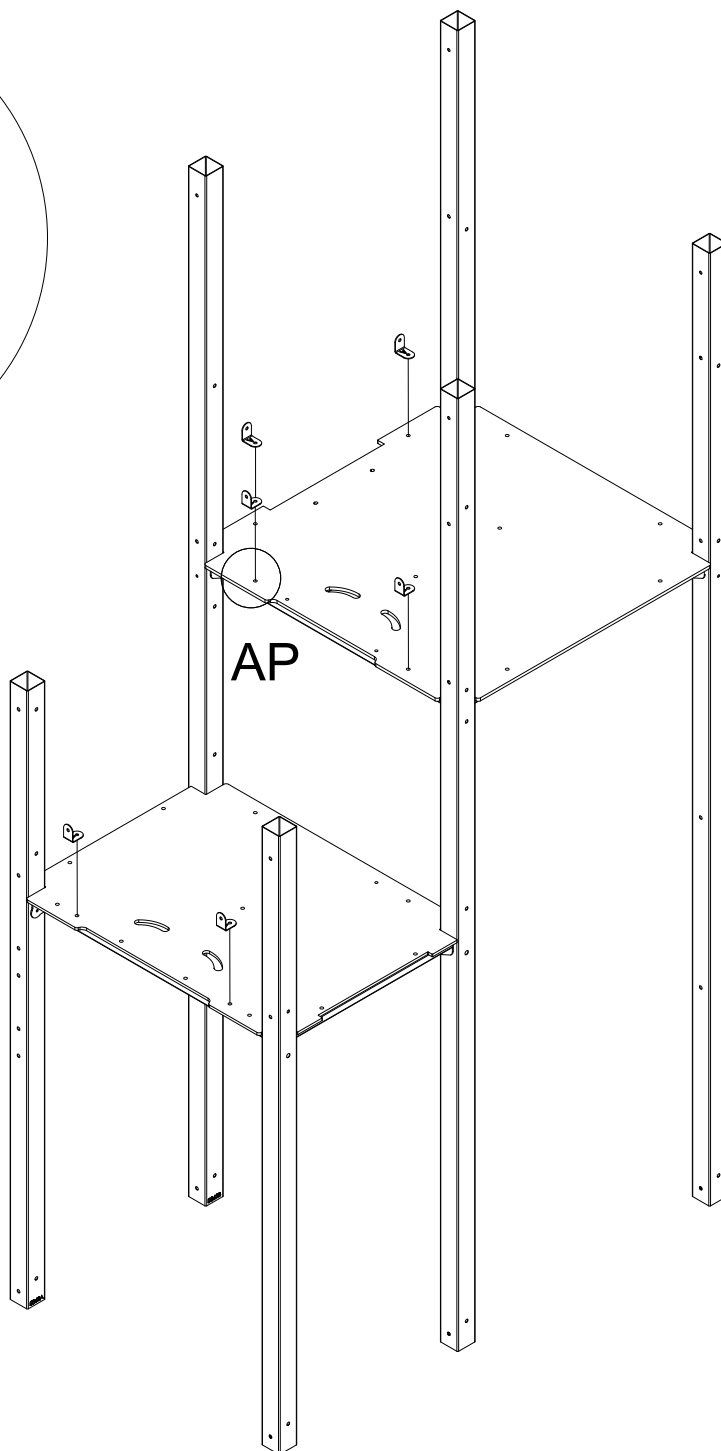
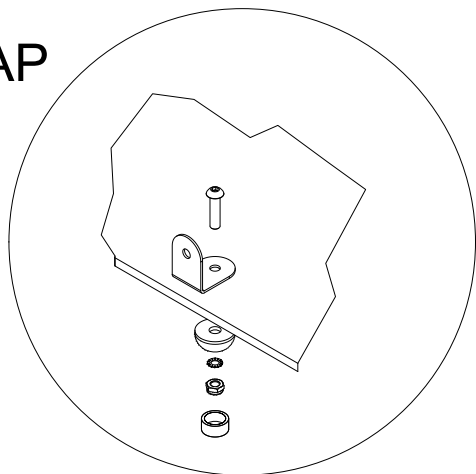


i29
x6

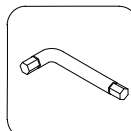
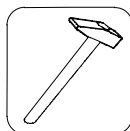
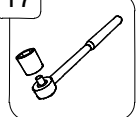


M10x65
x6

AP

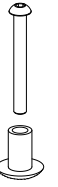


17

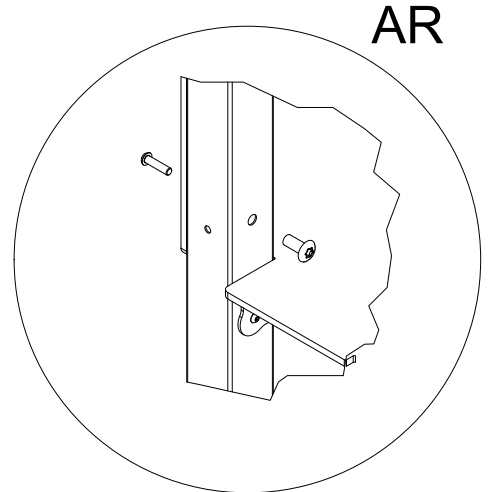
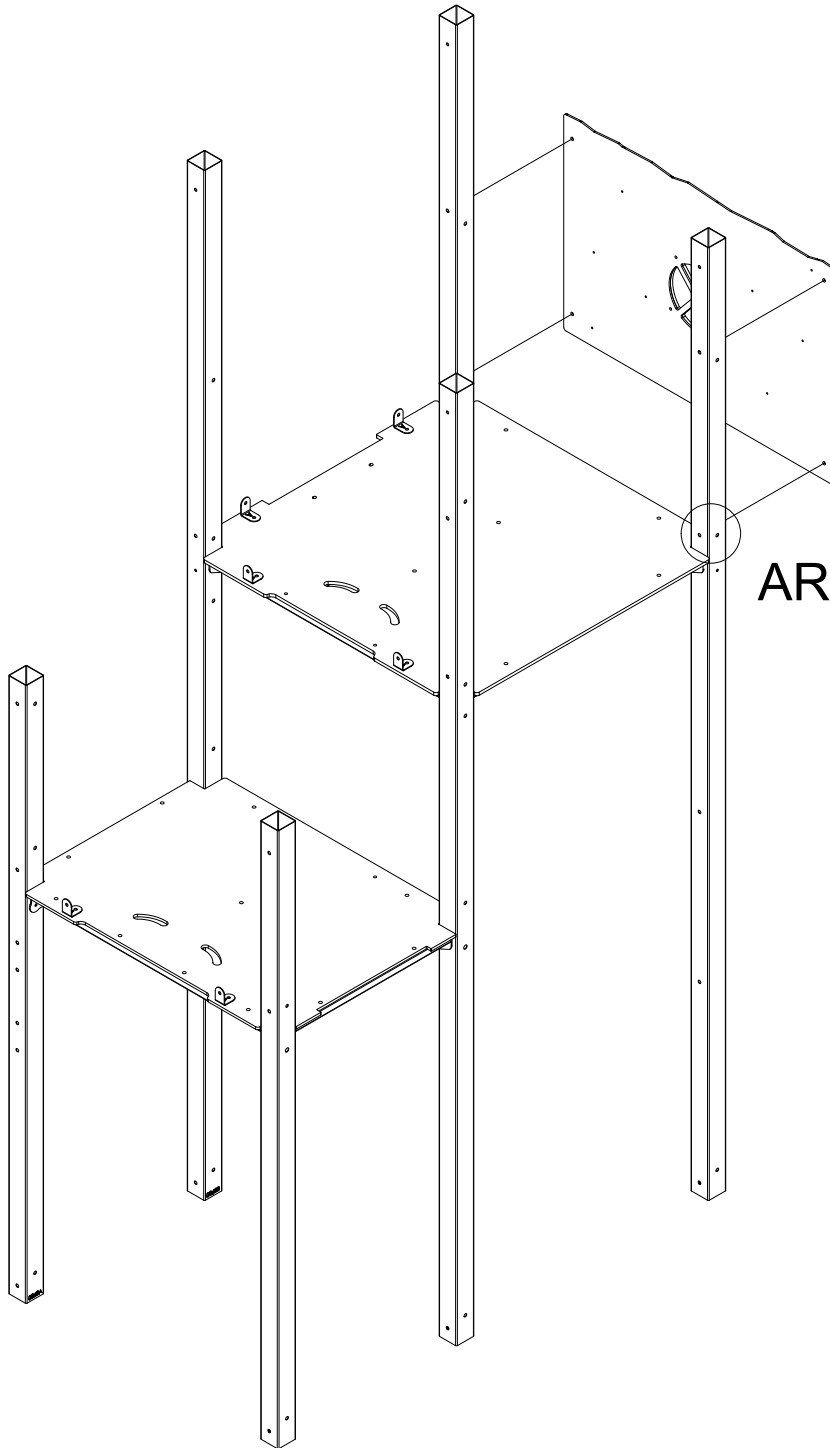


W2

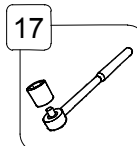
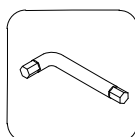
29



M10x80
x4



TORX



17

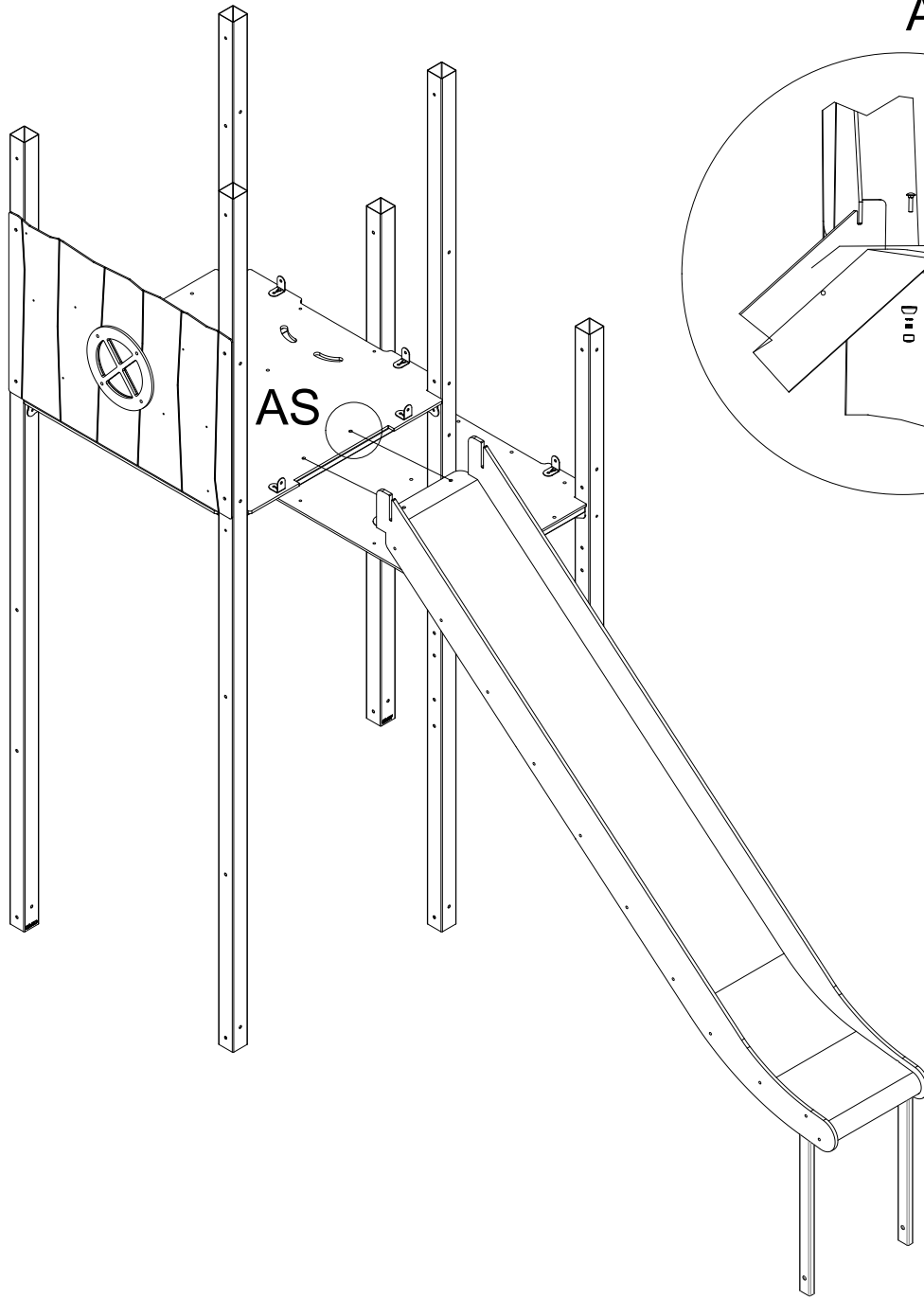
W2

30

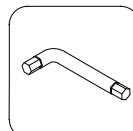
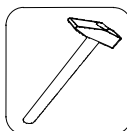
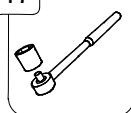


M8x35
x2

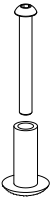
AS



17



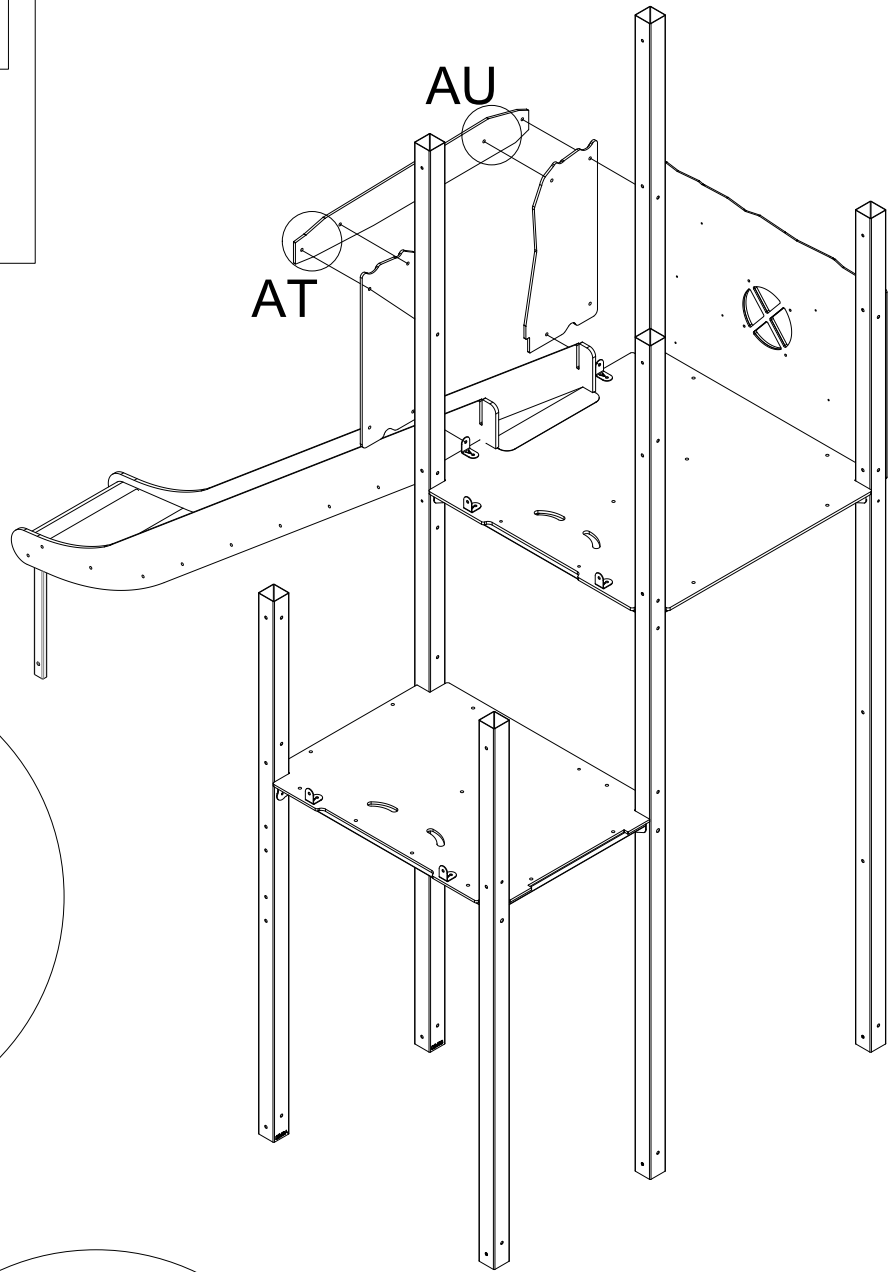
31



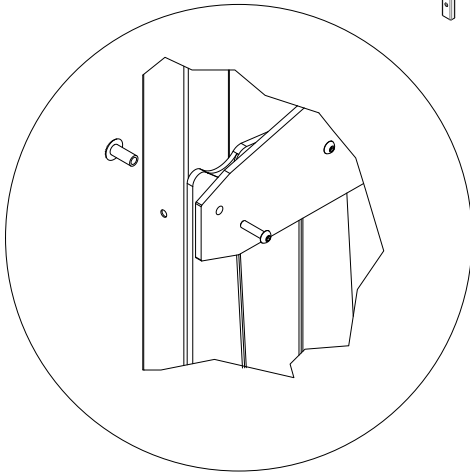
M10x80
x2



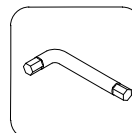
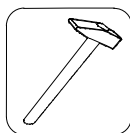
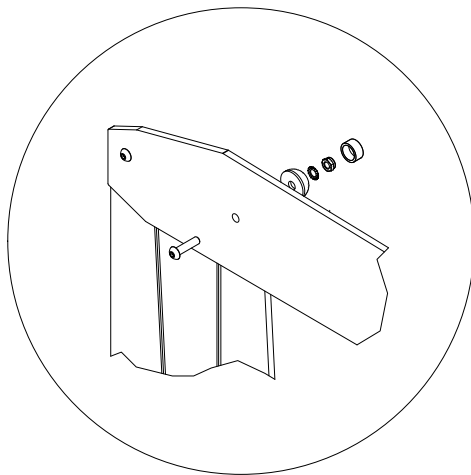
M10x40
x2



AT



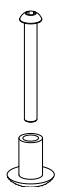
AU



17

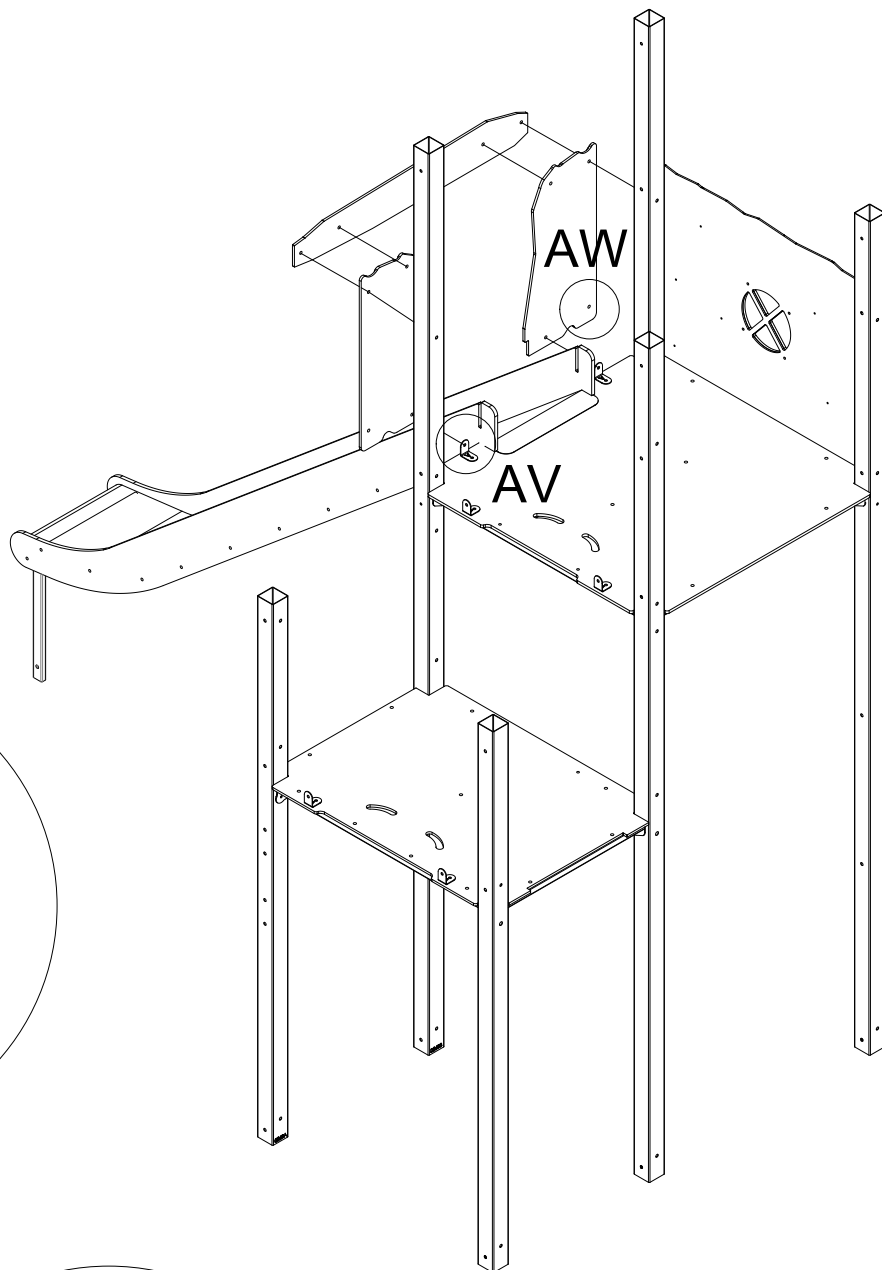
TORX

32



M10x80
x2

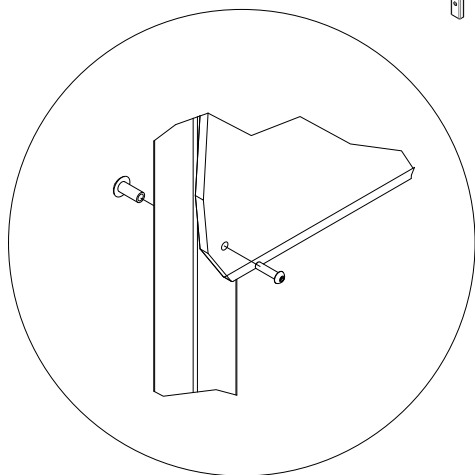
M10x30
x2



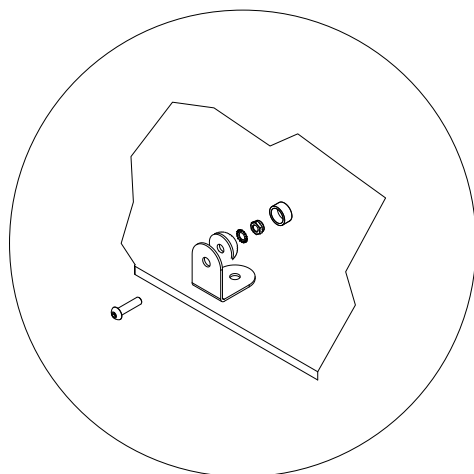
AW

AV

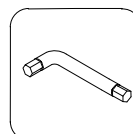
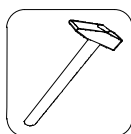
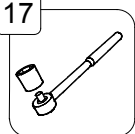
AW



AV

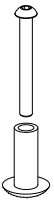


17



TORX

33



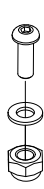
M10x80
x2



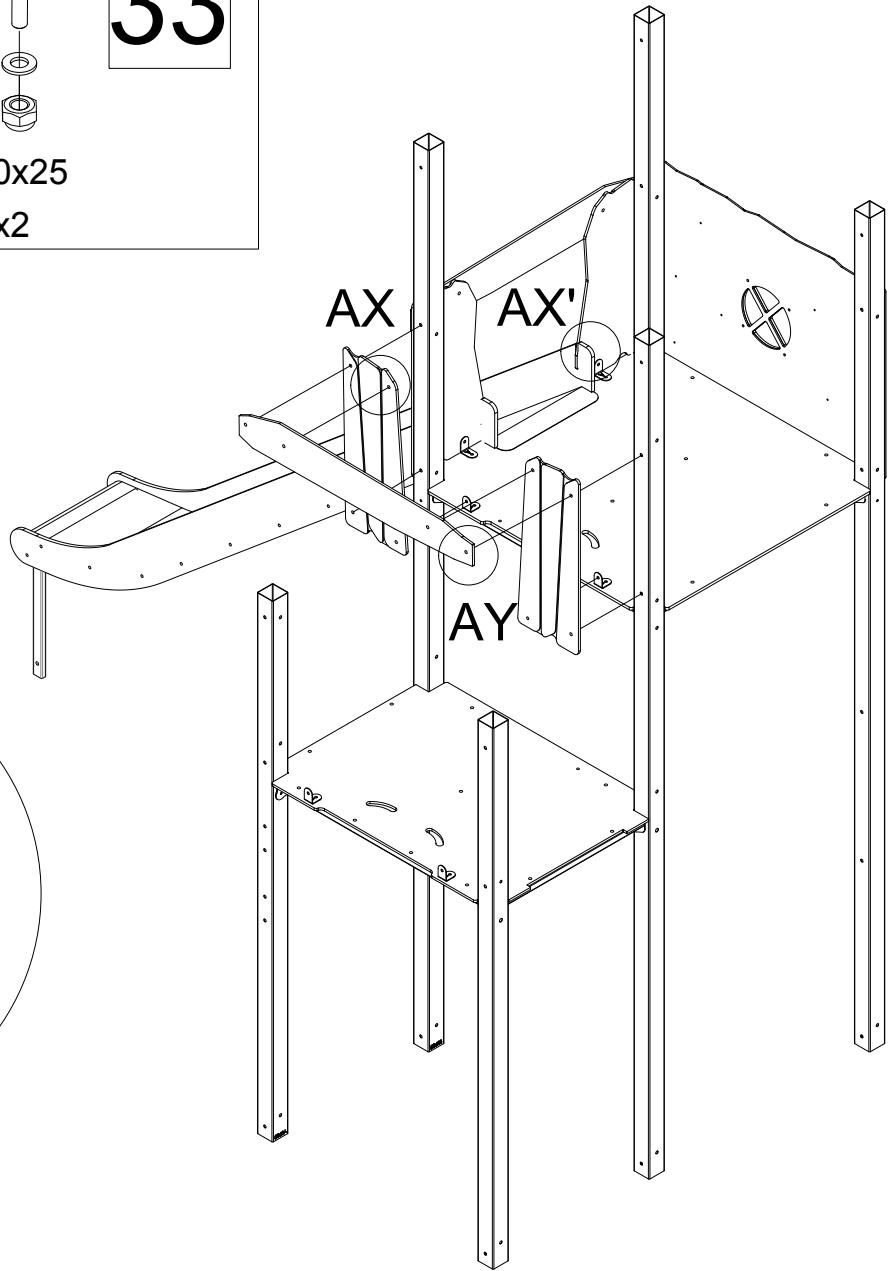
M10x30
x4



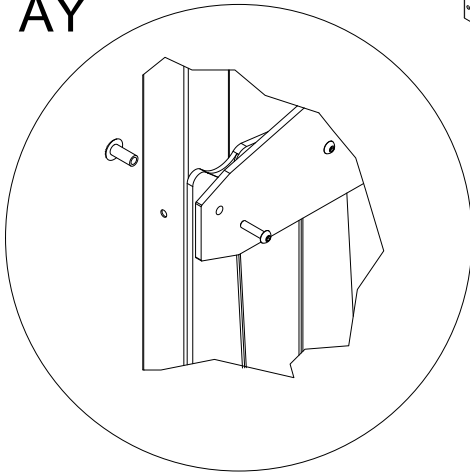
i29
x2



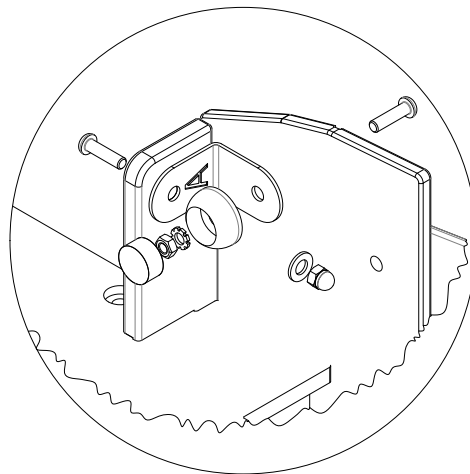
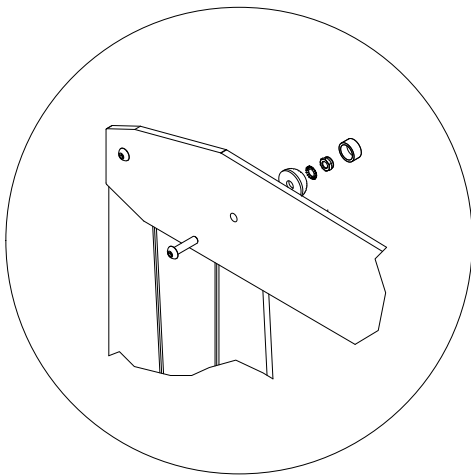
M10x25
x2



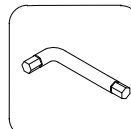
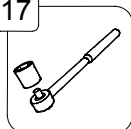
AY



AX'



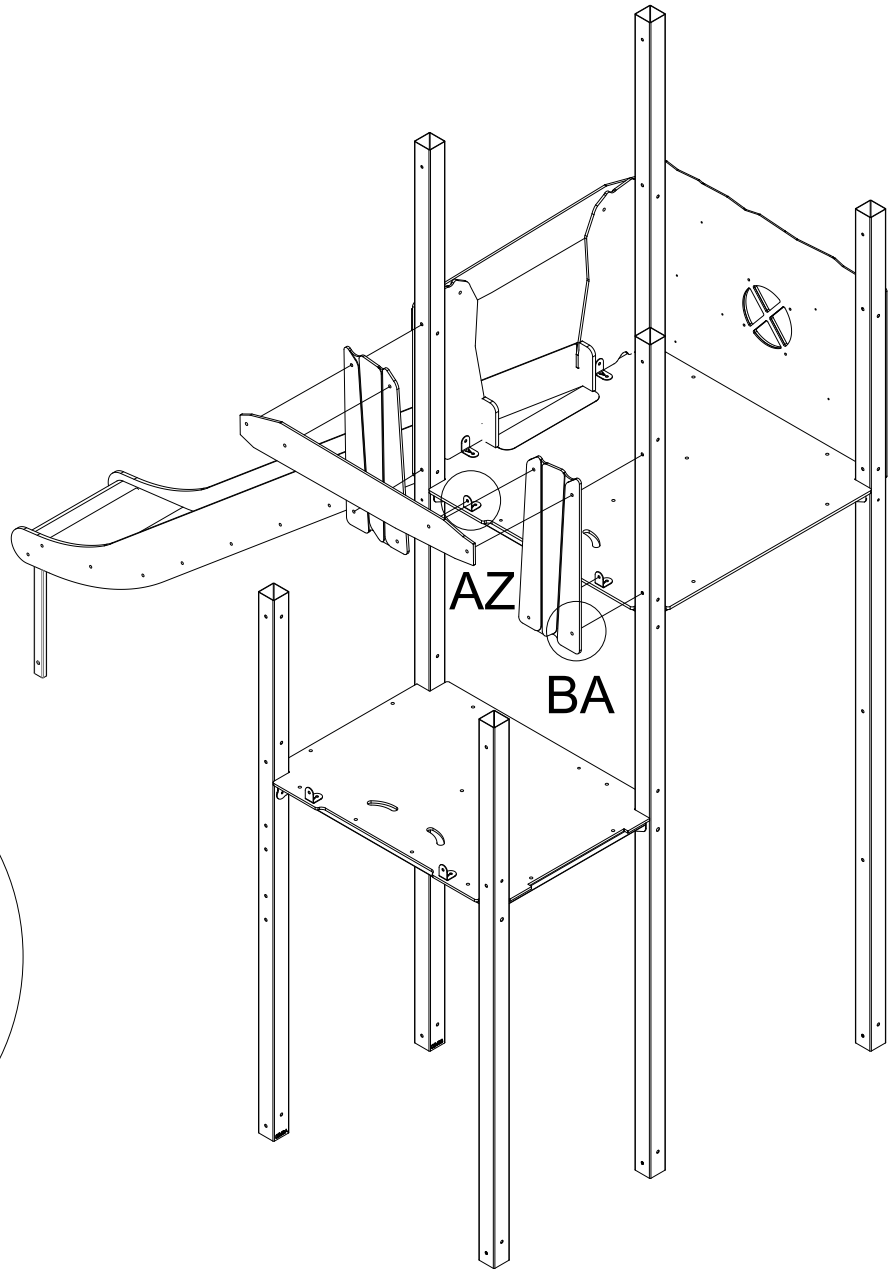
17



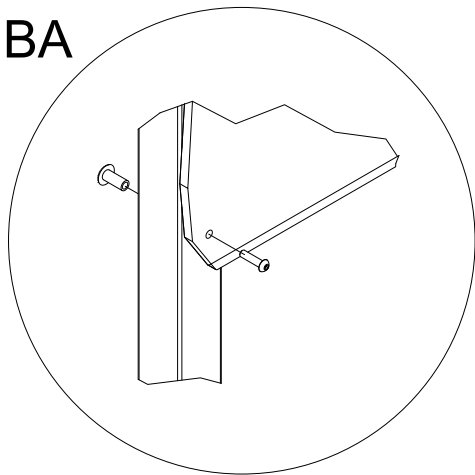
TORX

34

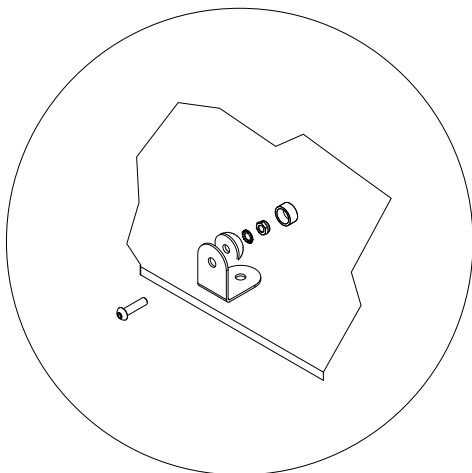
- M10x80 x2
- M10x35 x2



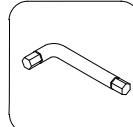
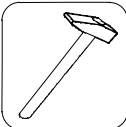
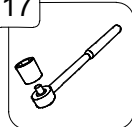
BA



AZ

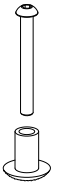


17

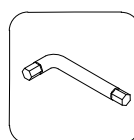
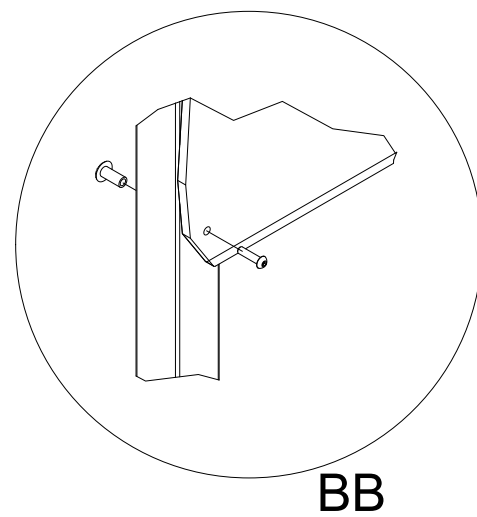
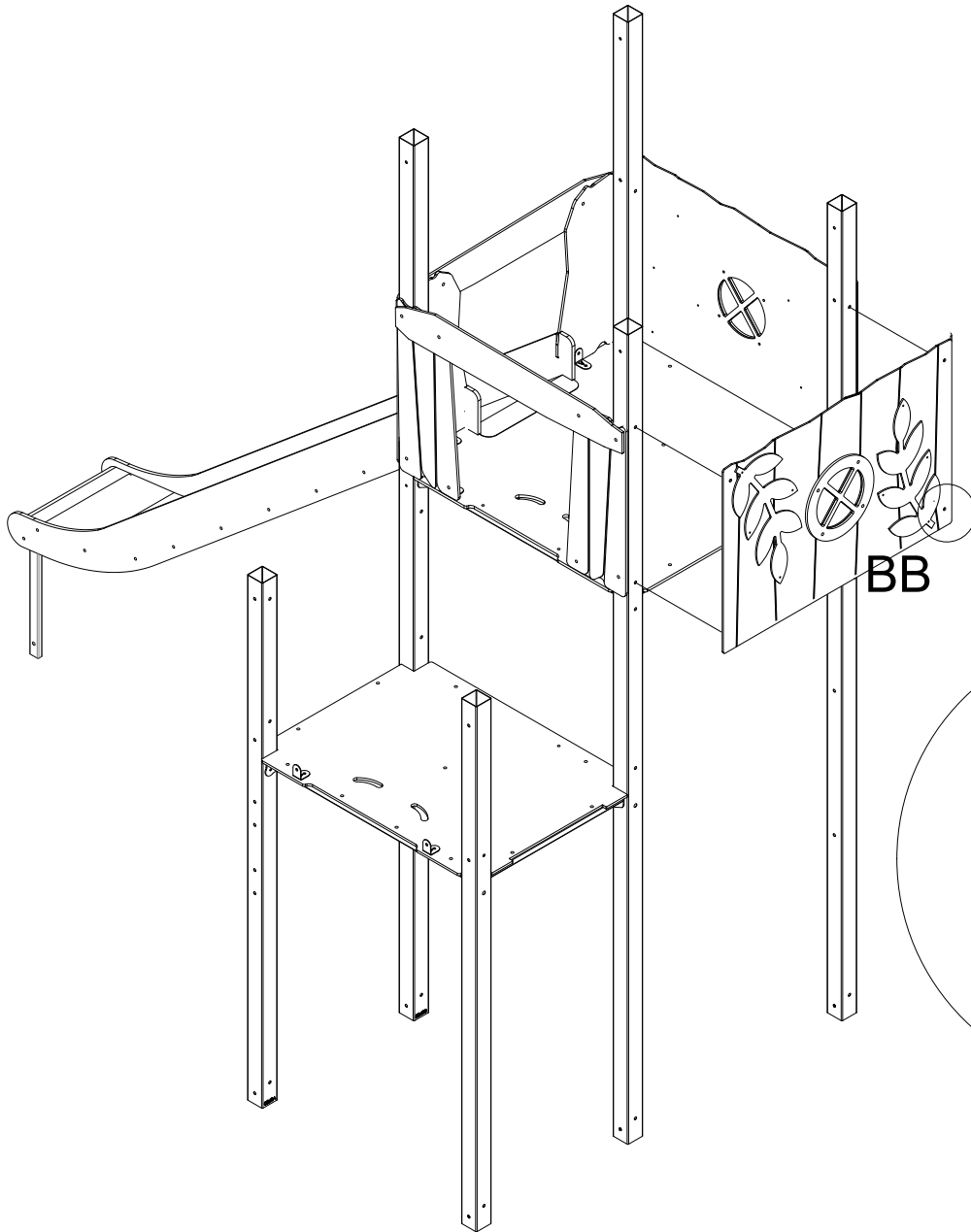


W2

35

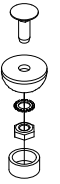


M10x80
x4

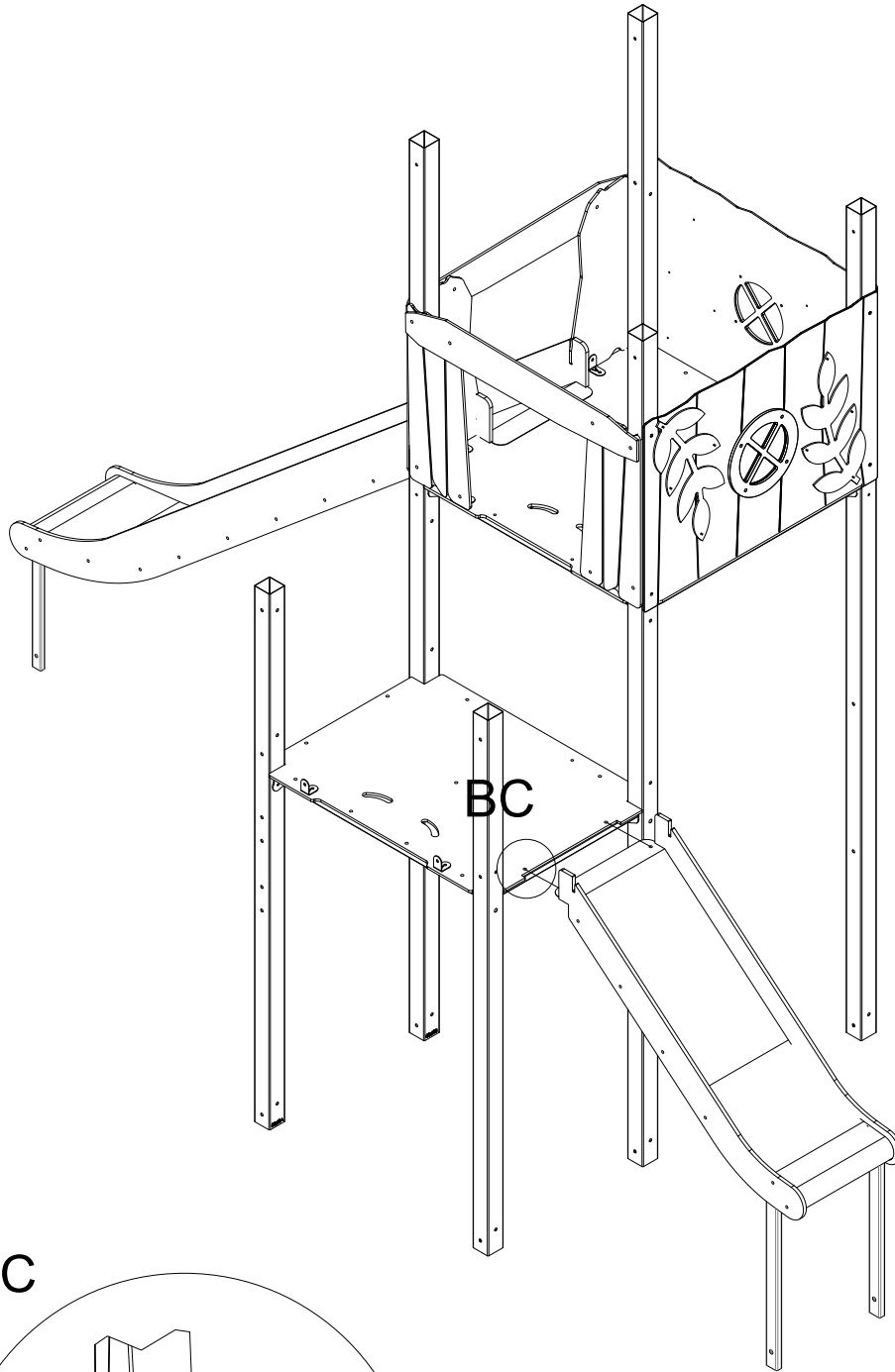


W2

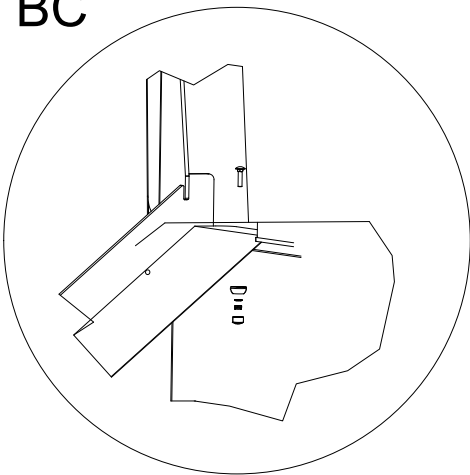
36



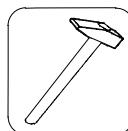
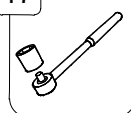
M8x35
x2



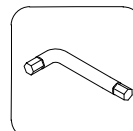
BC



17




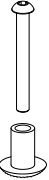



TORX

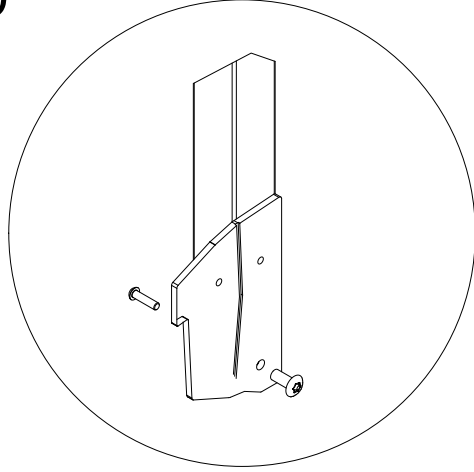


W2

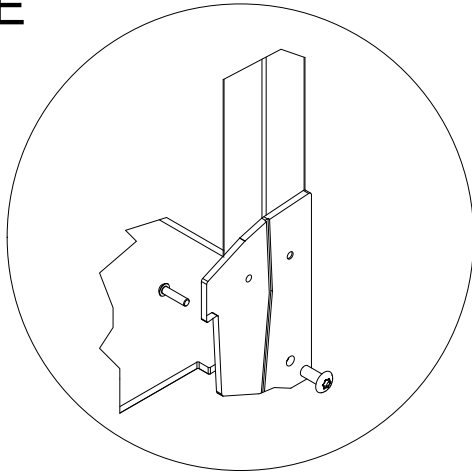
37

- | | | | | |
|---|---|--|--|--|
|  |  |  |  |  |
| M10x25 | i30 | M10x80 | M10x80 | M10x30 |
| x2 | x2 | x2 | x2 | x2 |

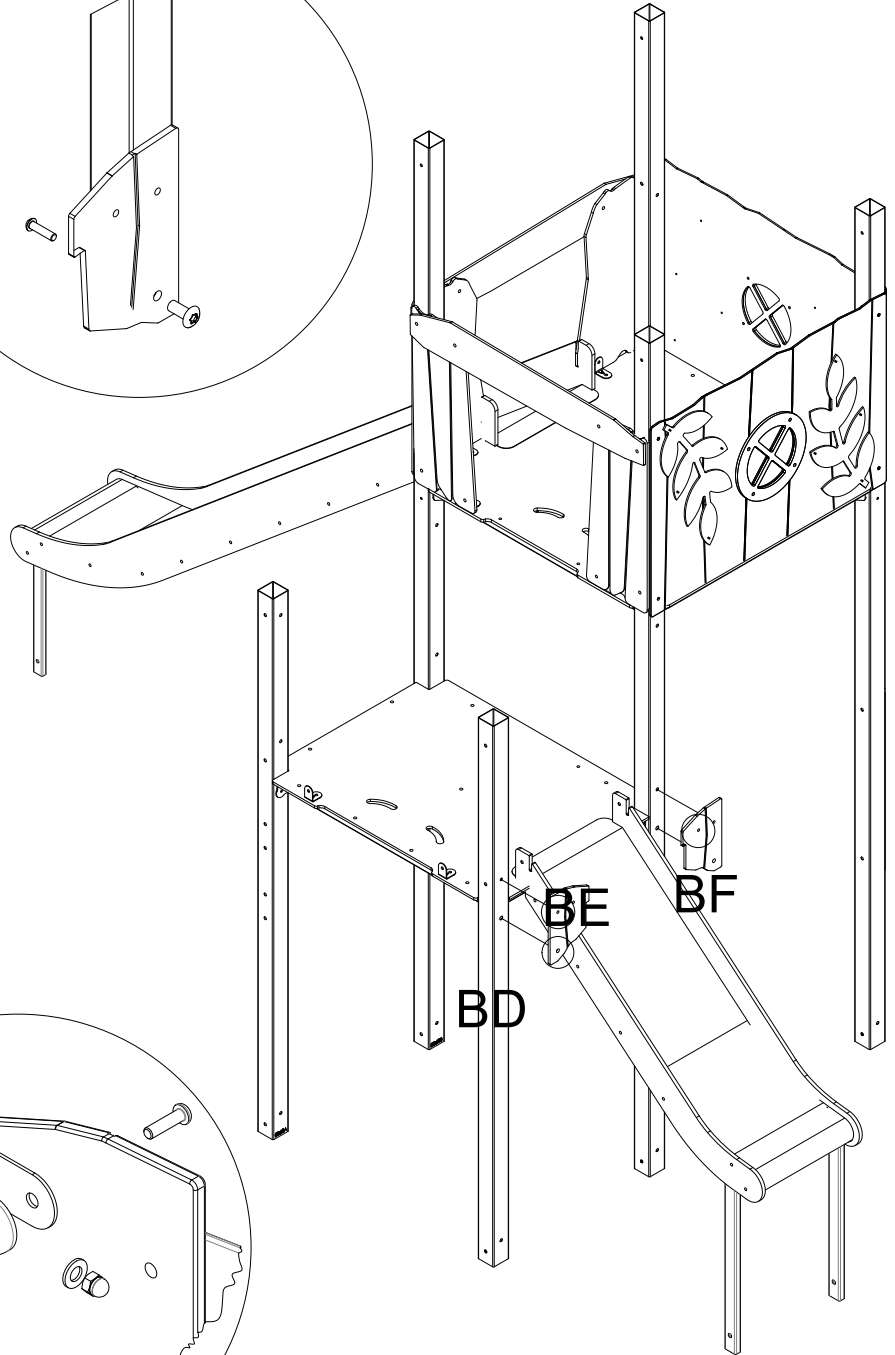
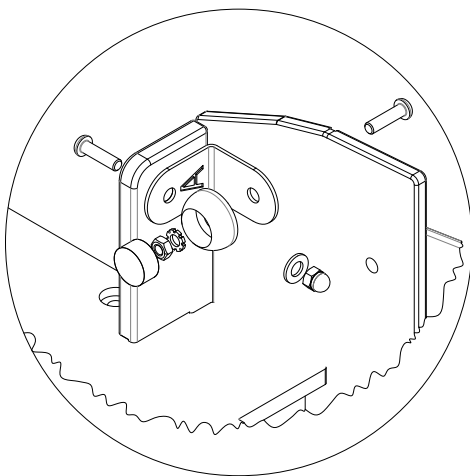
BD



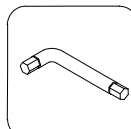
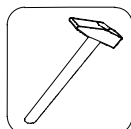
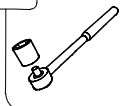
BE



BF

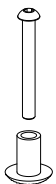


17

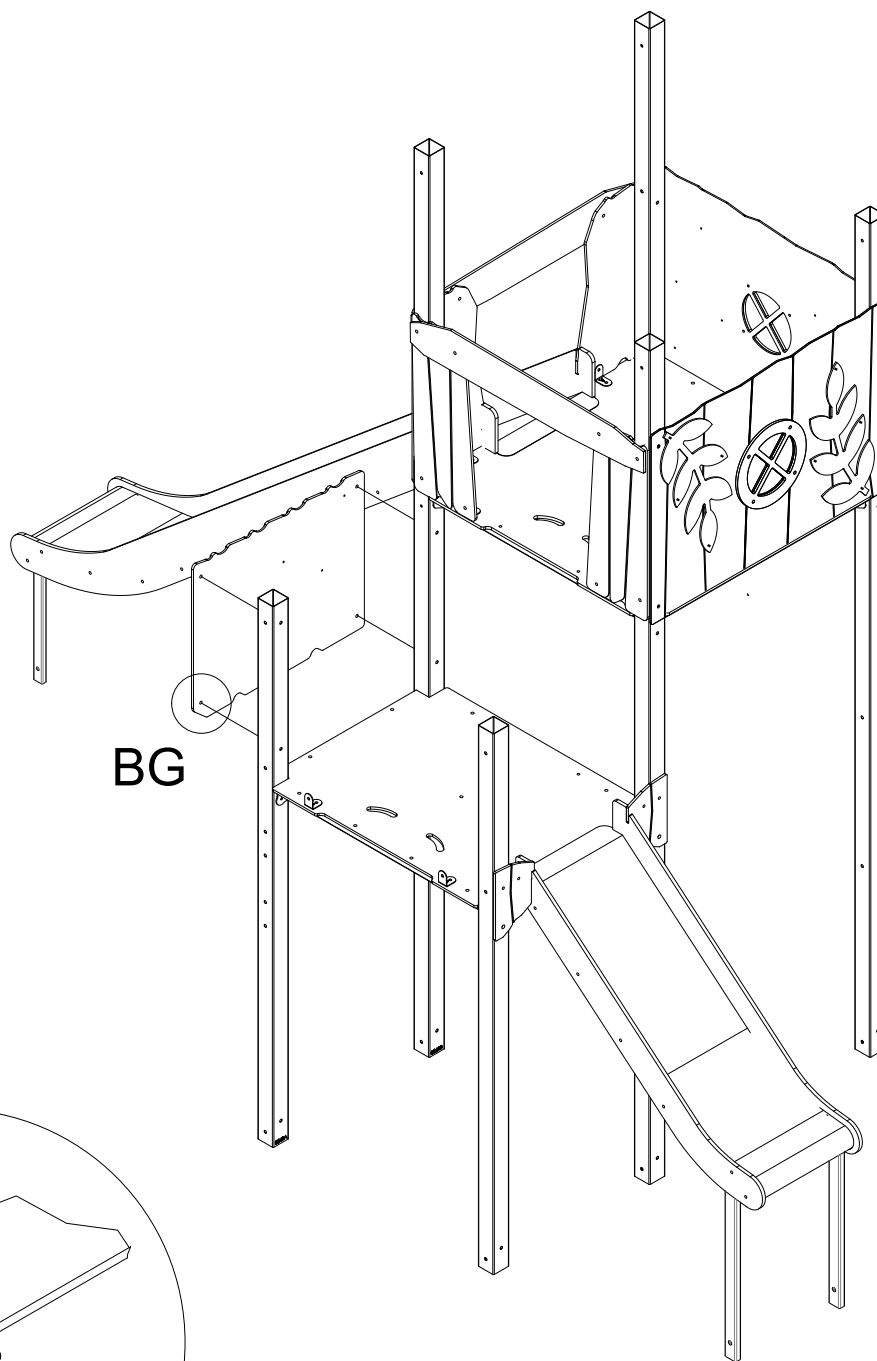


TORX

38

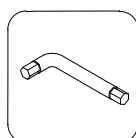
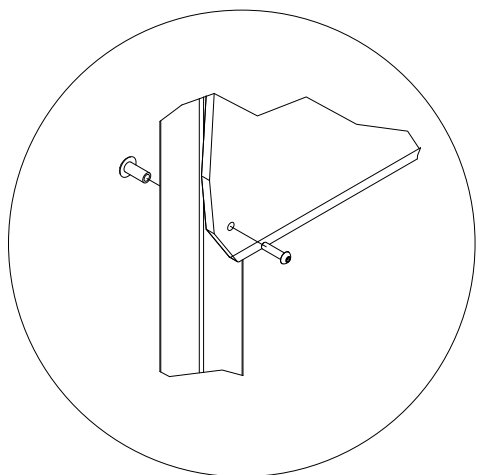


M10x80
x4



BG

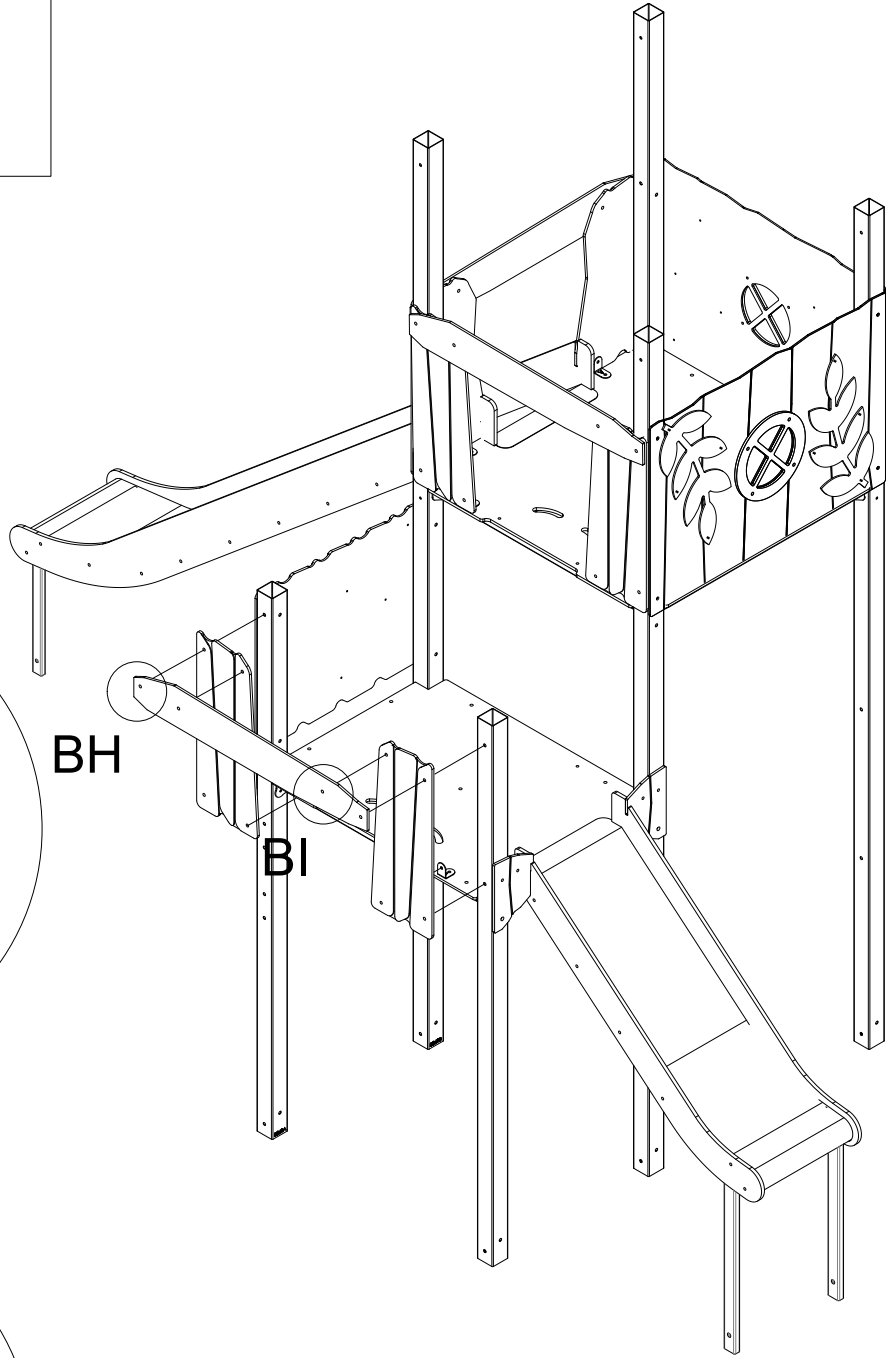
BG



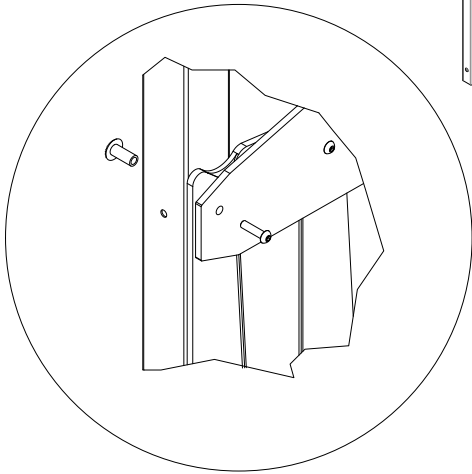
39

M10x80 x2

M10x40 x2



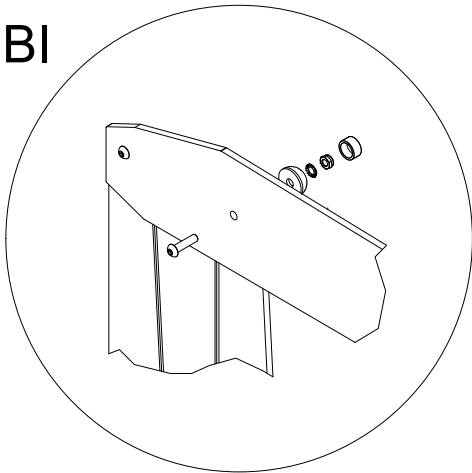
BH



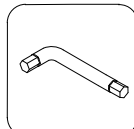
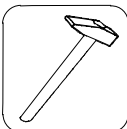
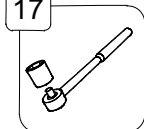
BH

BI

BI



17

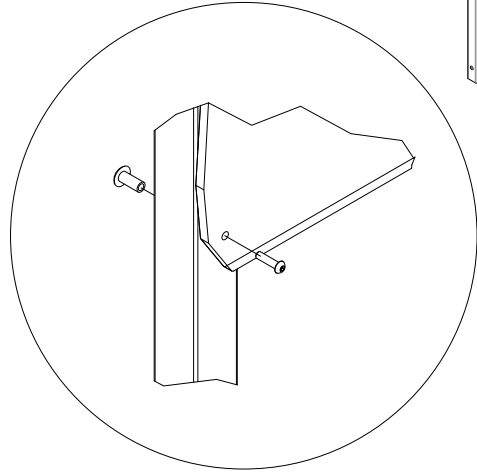


TORX

40

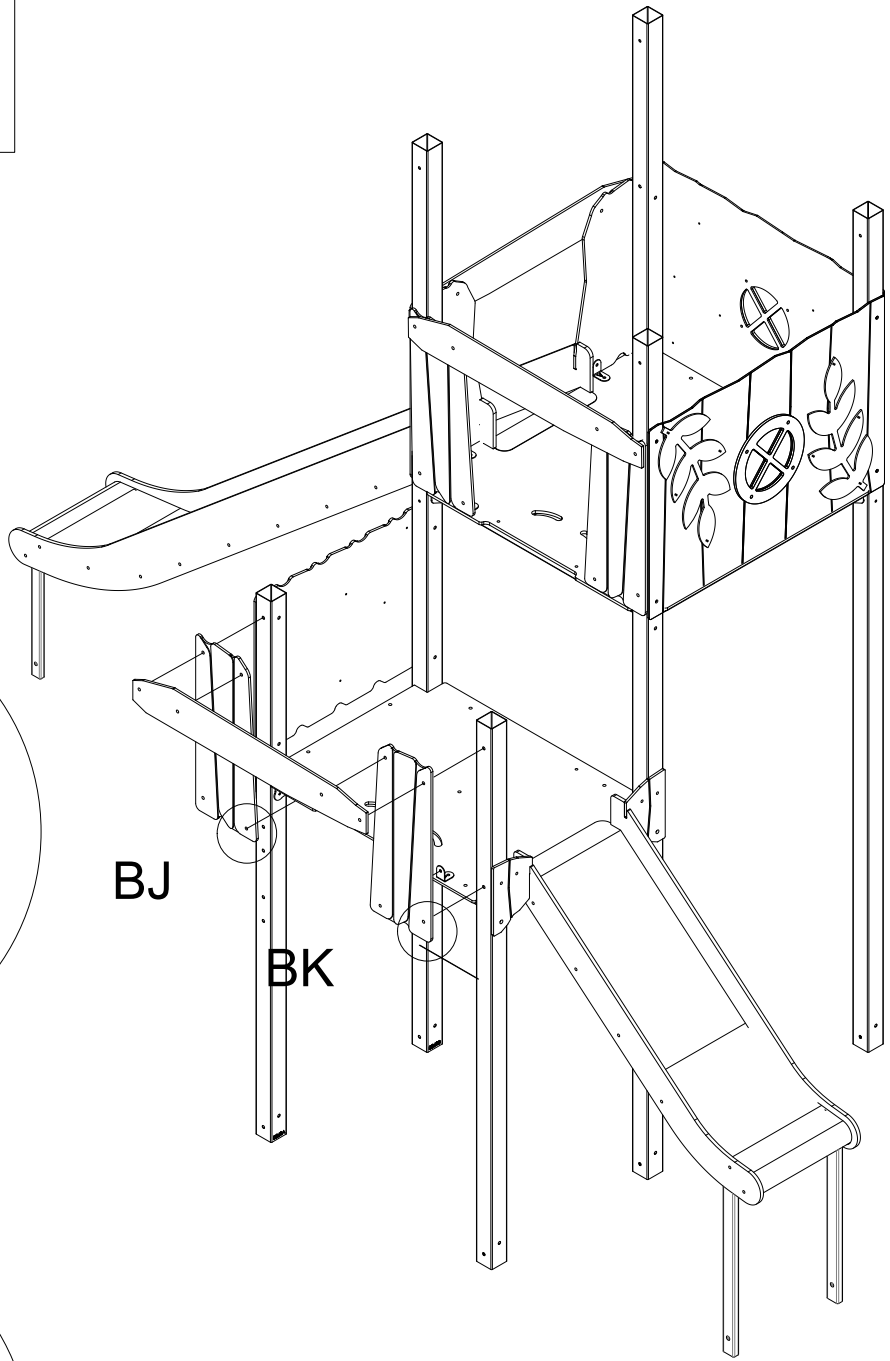
- M10x80
x2
- M10x35
x2

BJ

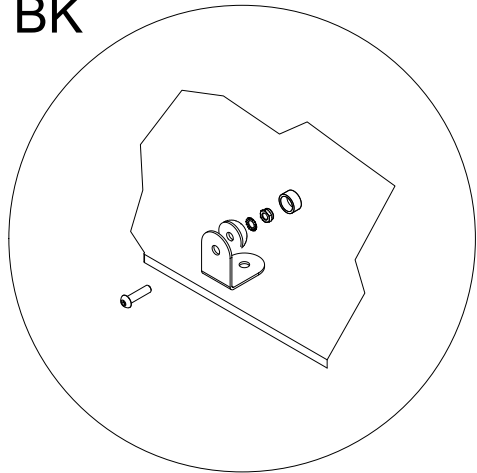


BJ

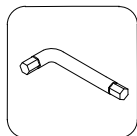
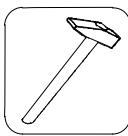
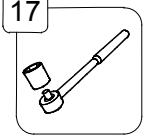
BK



BK

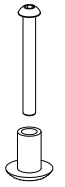


17



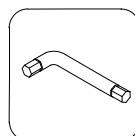
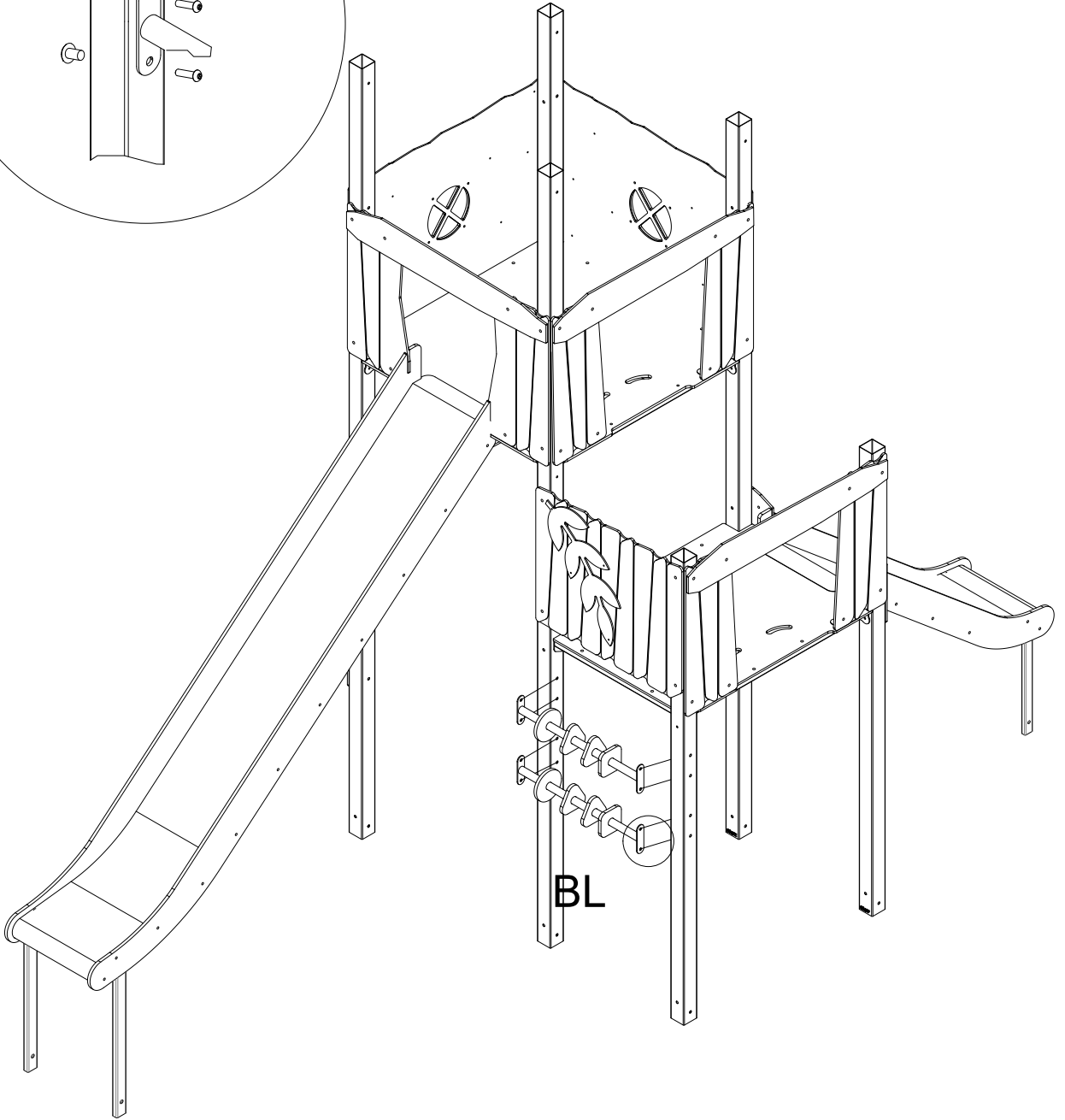
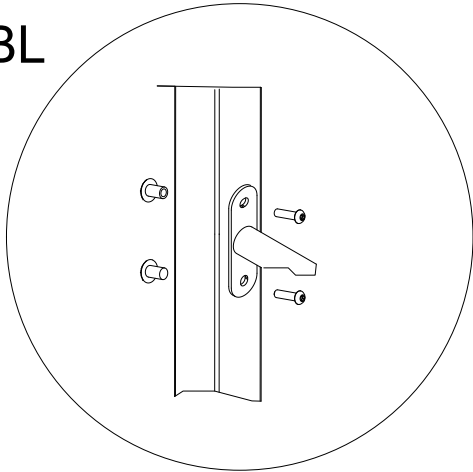
W2

41

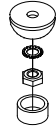



M10x80
x8

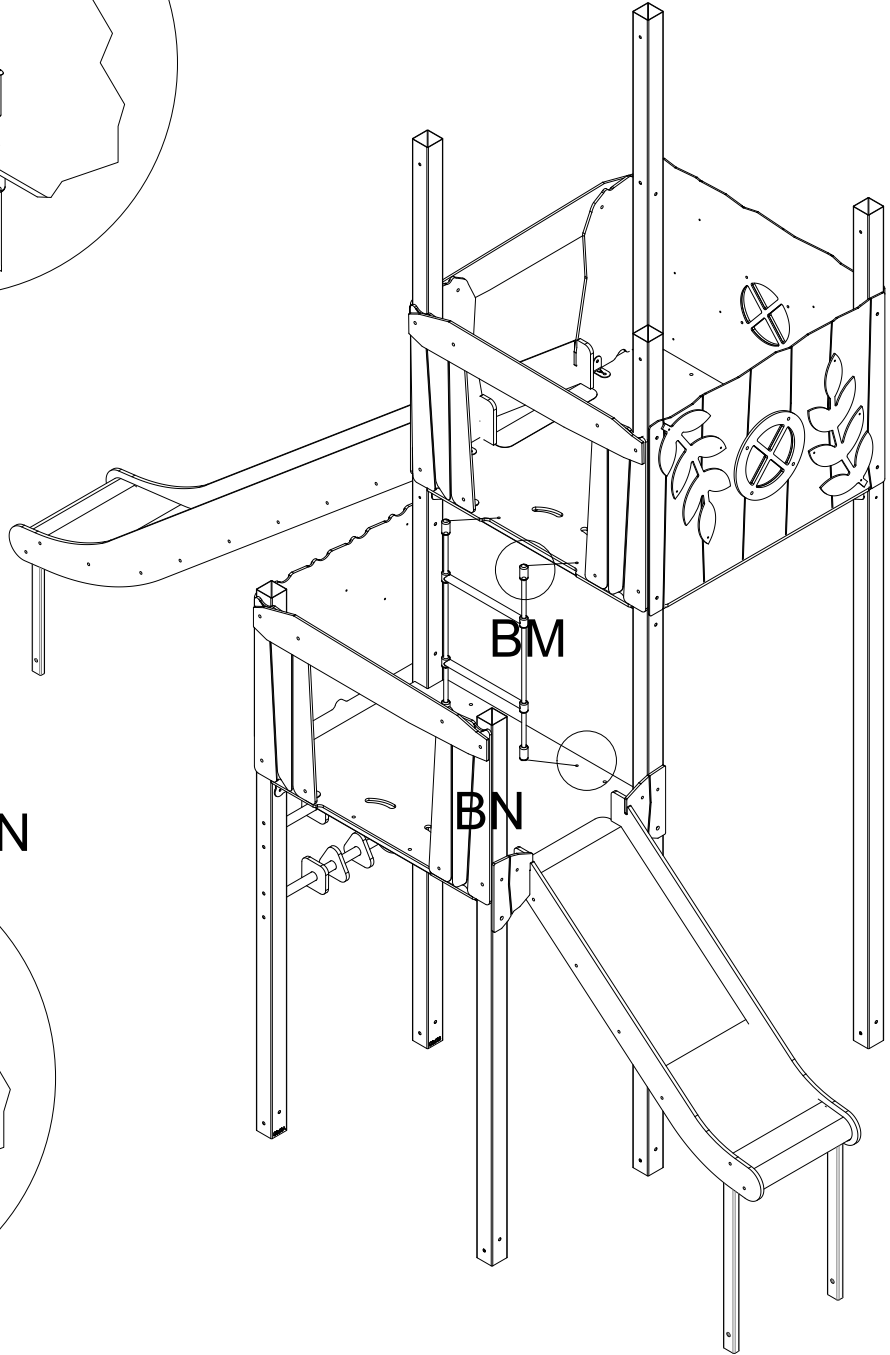
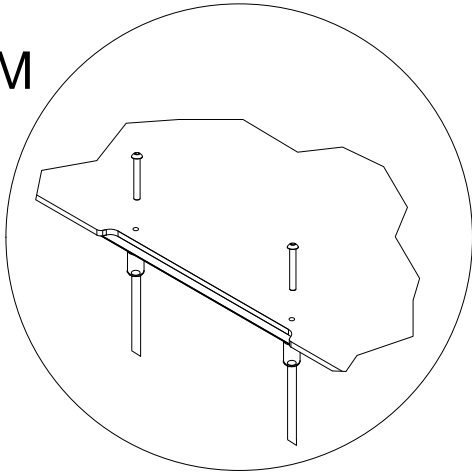
BL



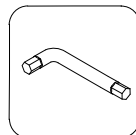
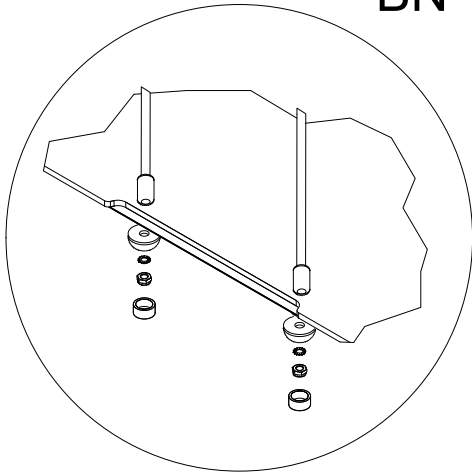
W2

42		
	M10 x2	M10x60 x2

BM



BN

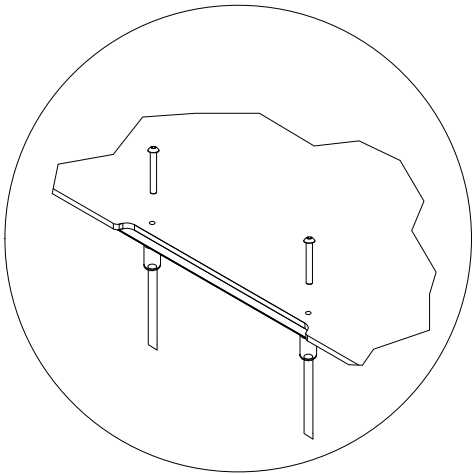


W2

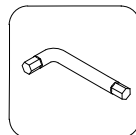
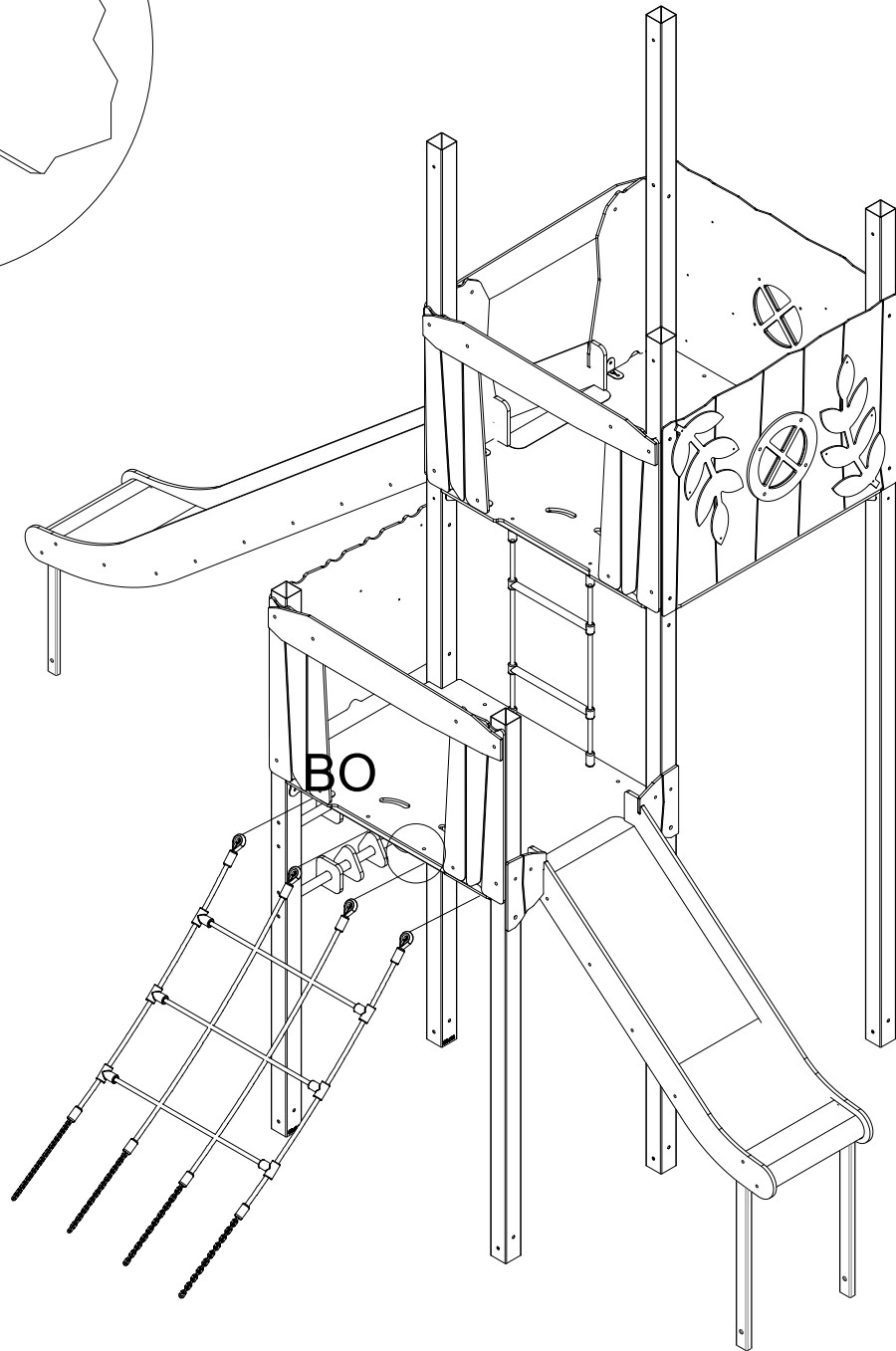
43



M10x60
x4

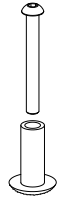


BO



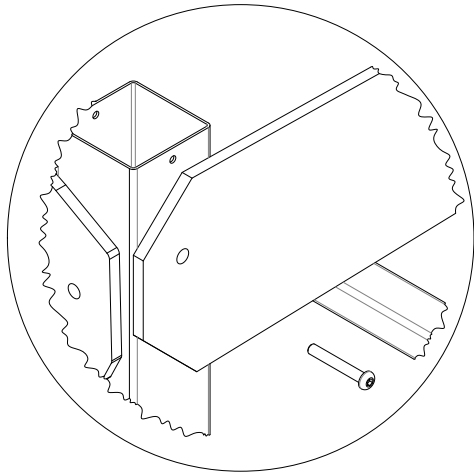
W2

44

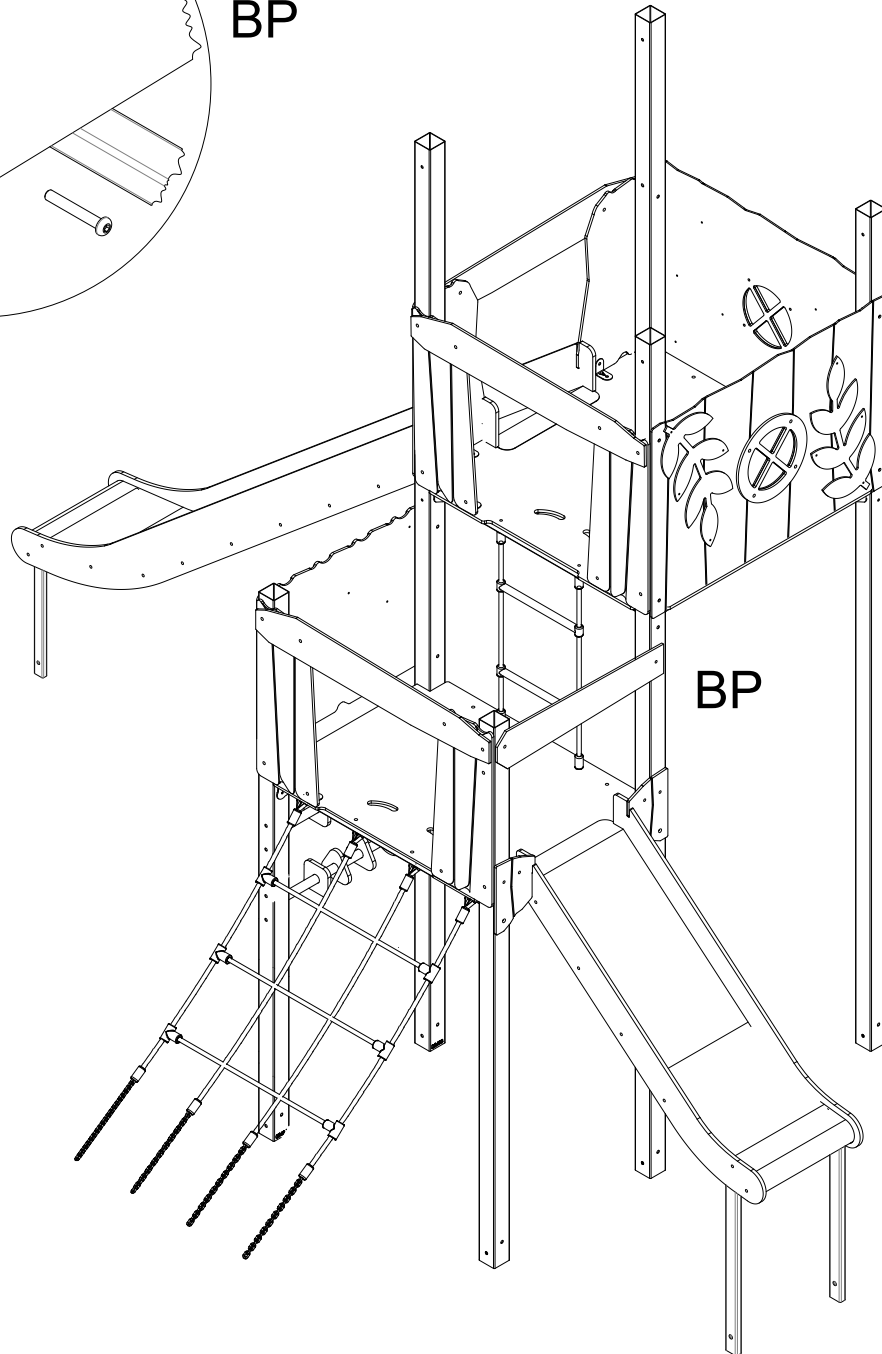


M10x80
x2

M10x80
x2



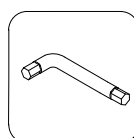
BP



BP

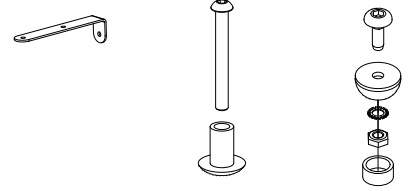


TORX



W2

45

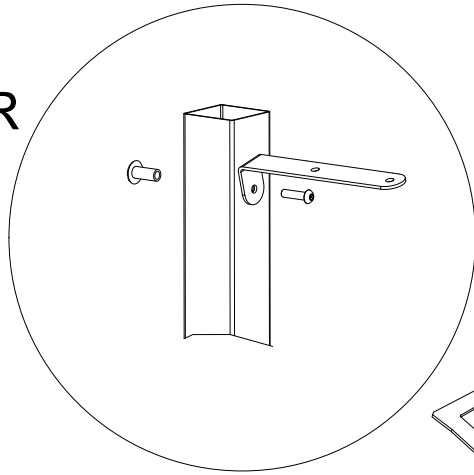


i134
x4

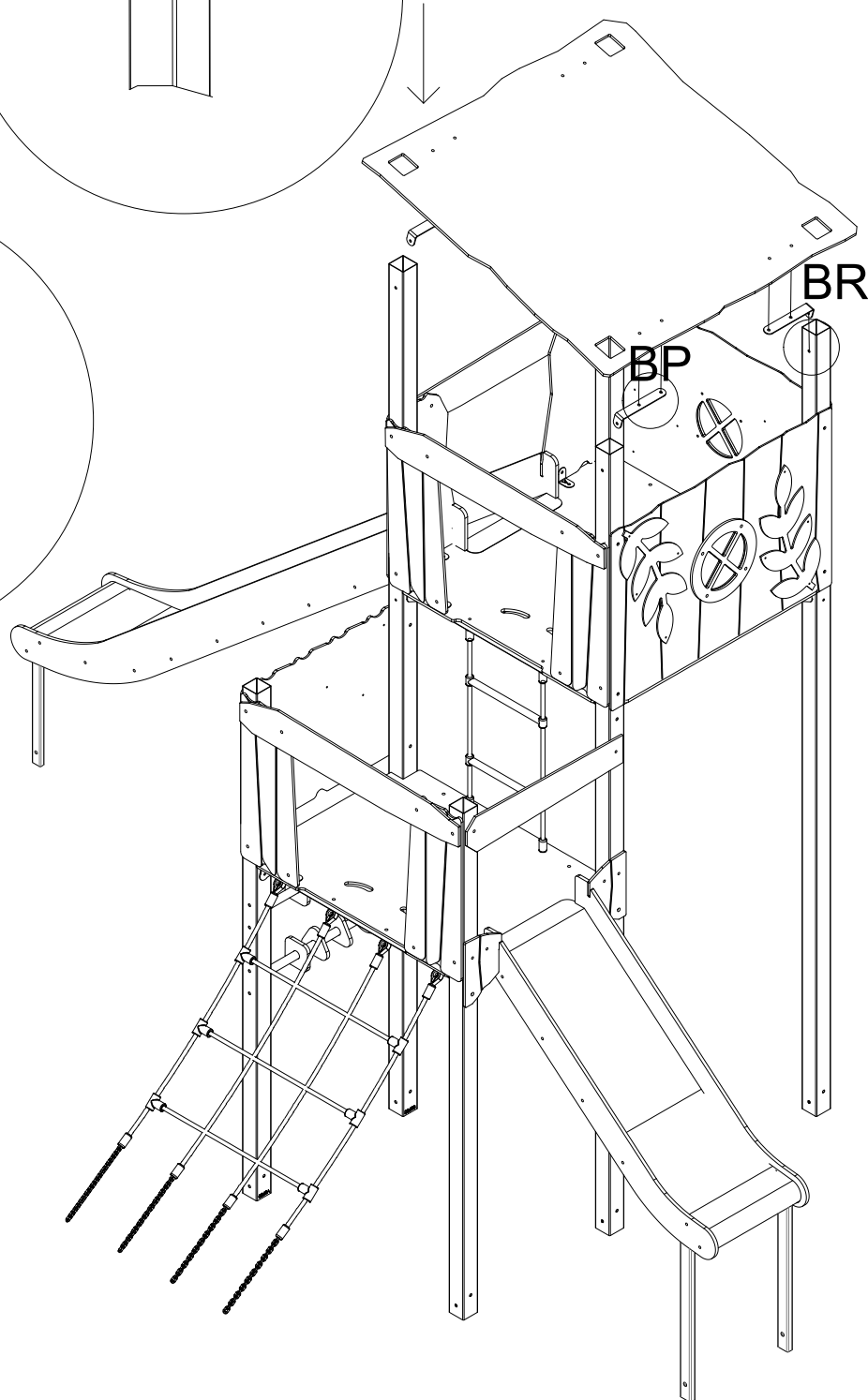
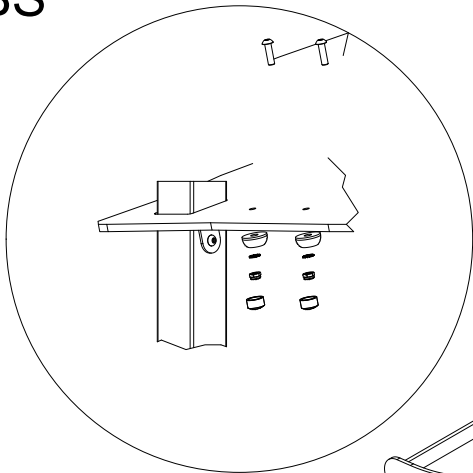
M10x80
x4

M10x35
x8

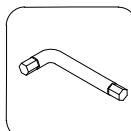
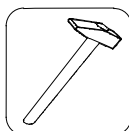
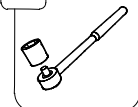
BR



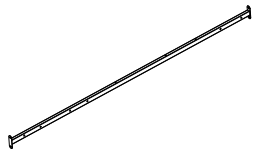
BS



17



TORX



032131
x1



034160
x1



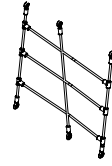
034161
x1



034162
x1



034163
x1

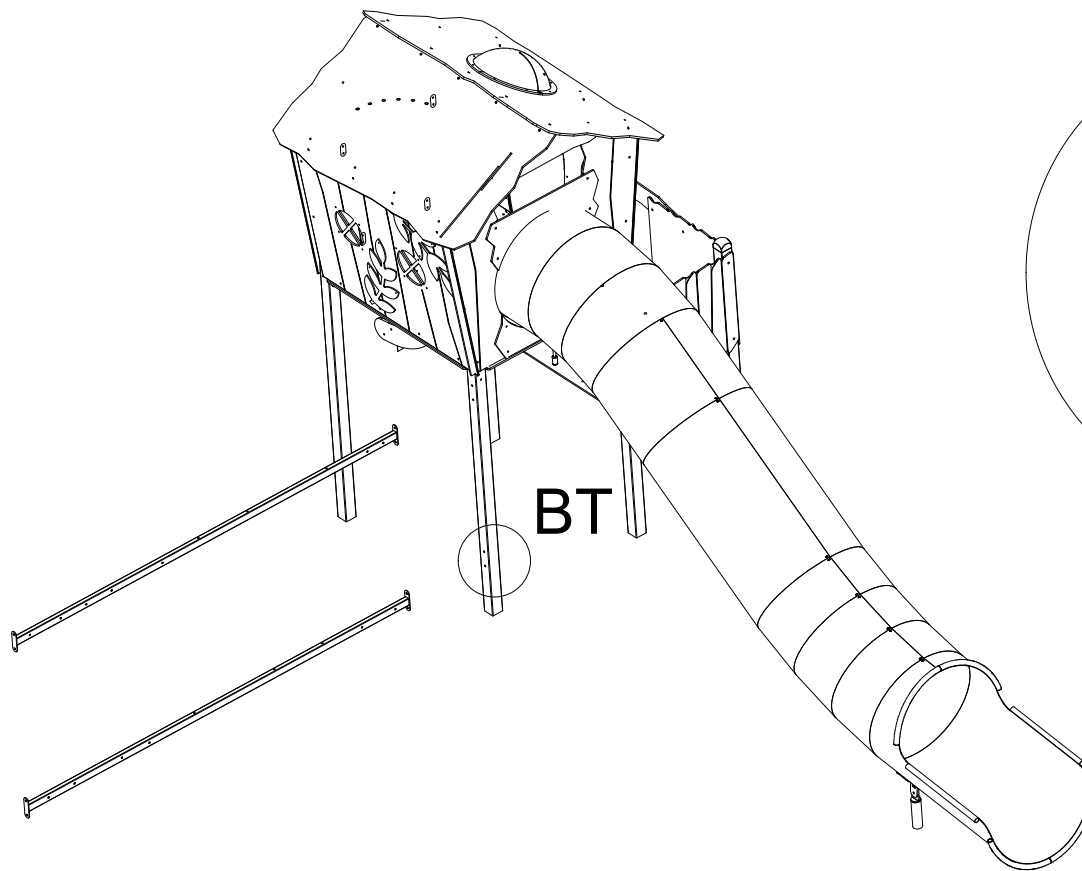
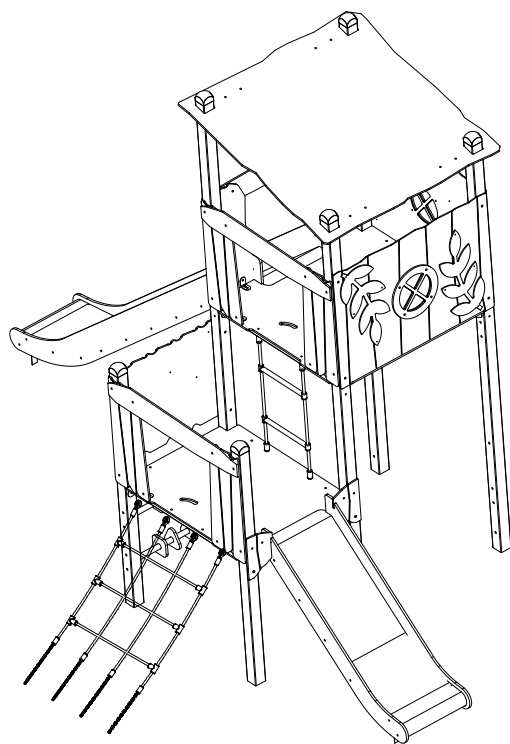


035103
x1

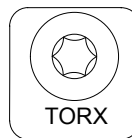
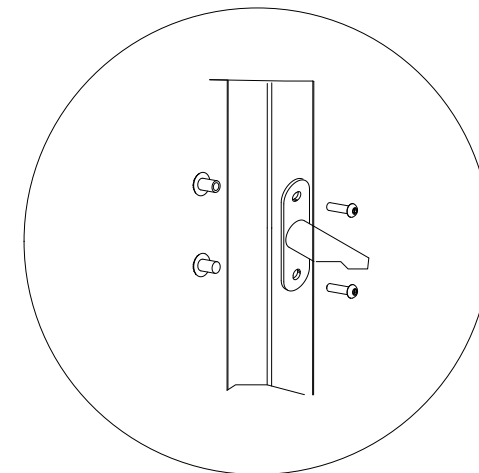


46

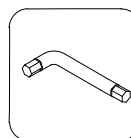
M10x80
x8

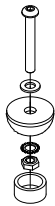


BT



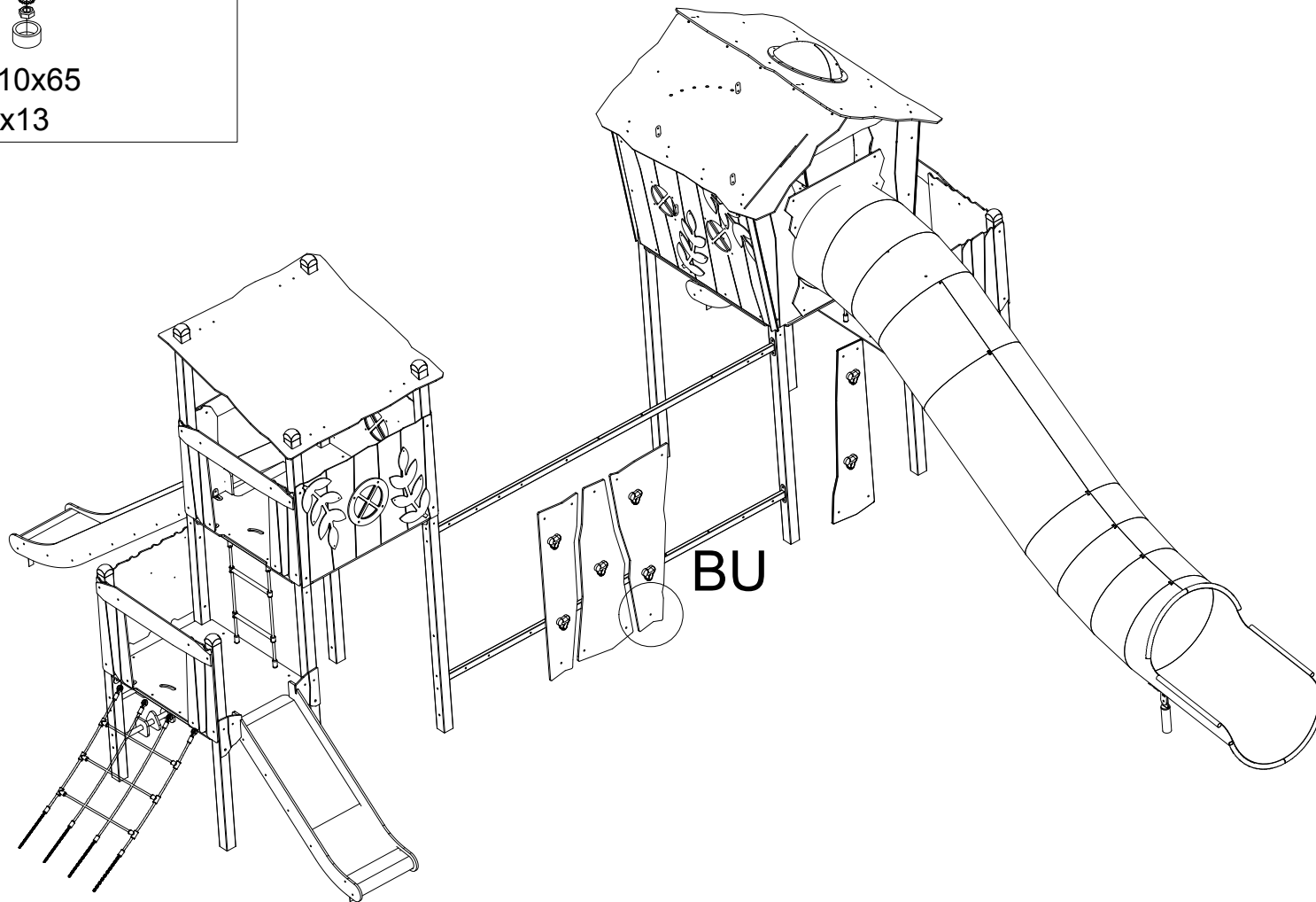
TORX



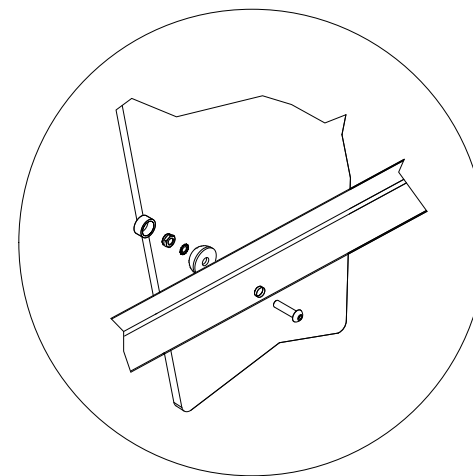


47

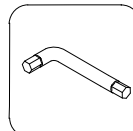
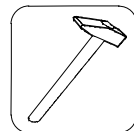
M10x65
x13



BU



17



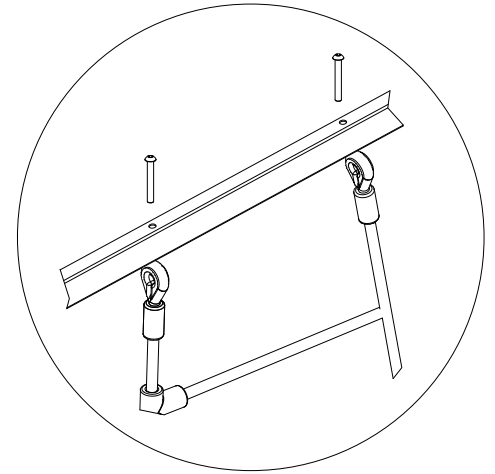
TORX

48

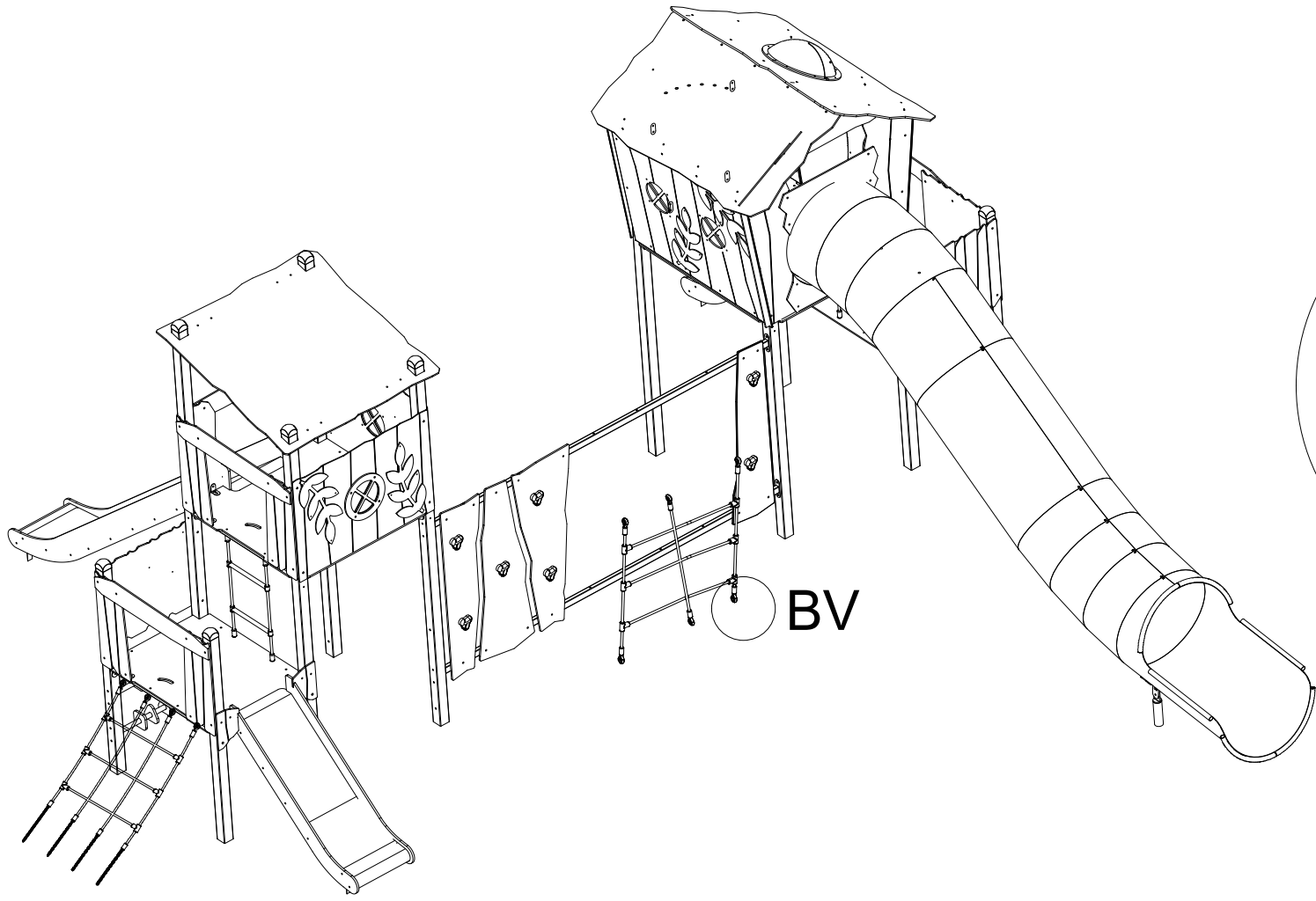
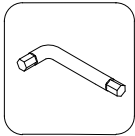
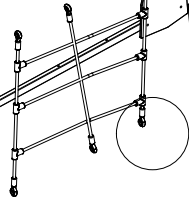


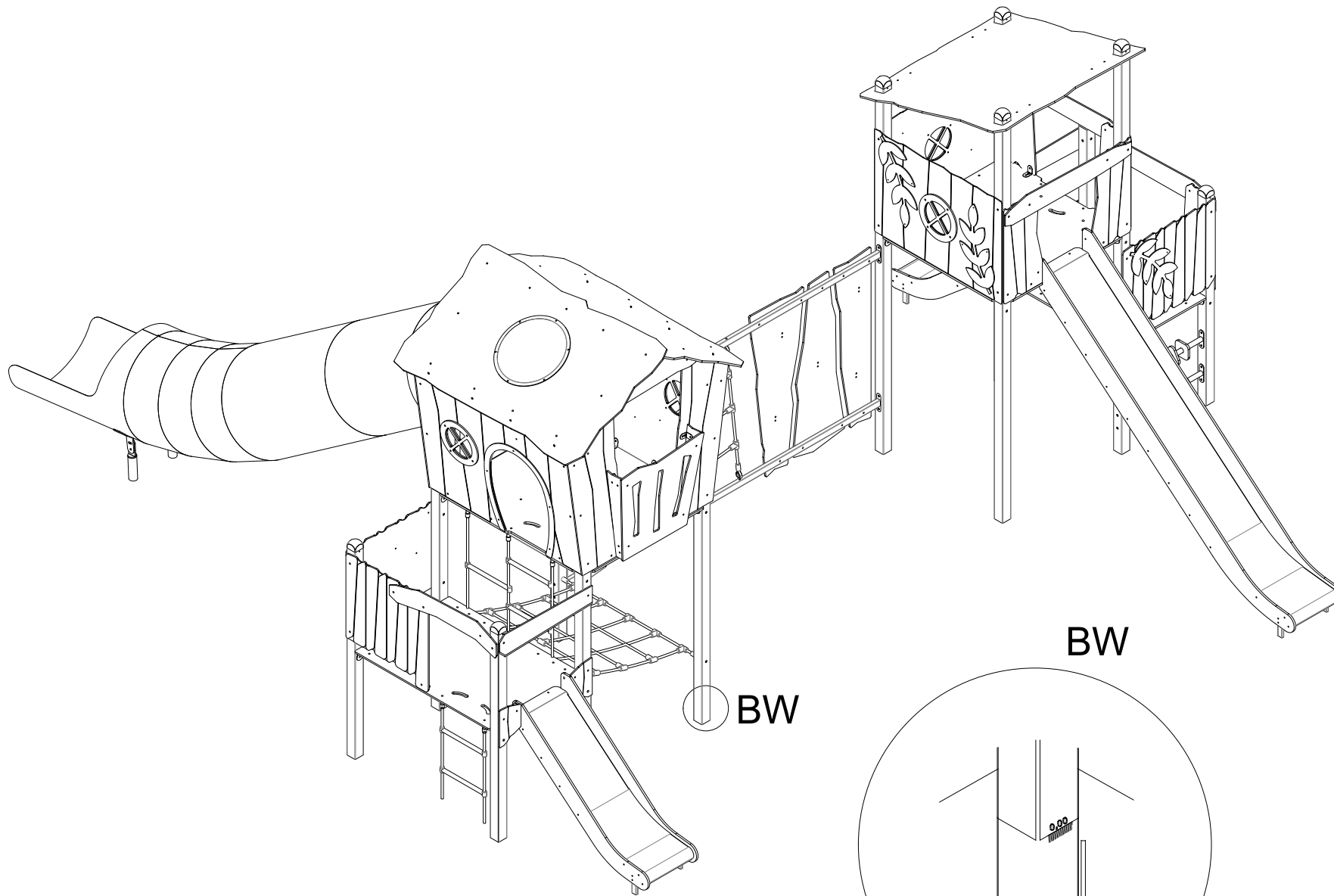
M10
x6

BV



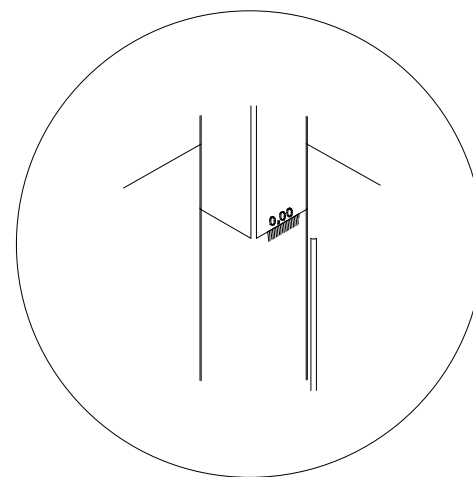
BV



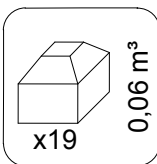


BW

BW



48h



x19

0,06 m³