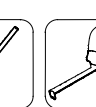
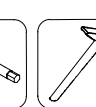
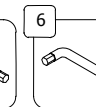
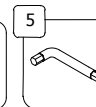
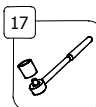
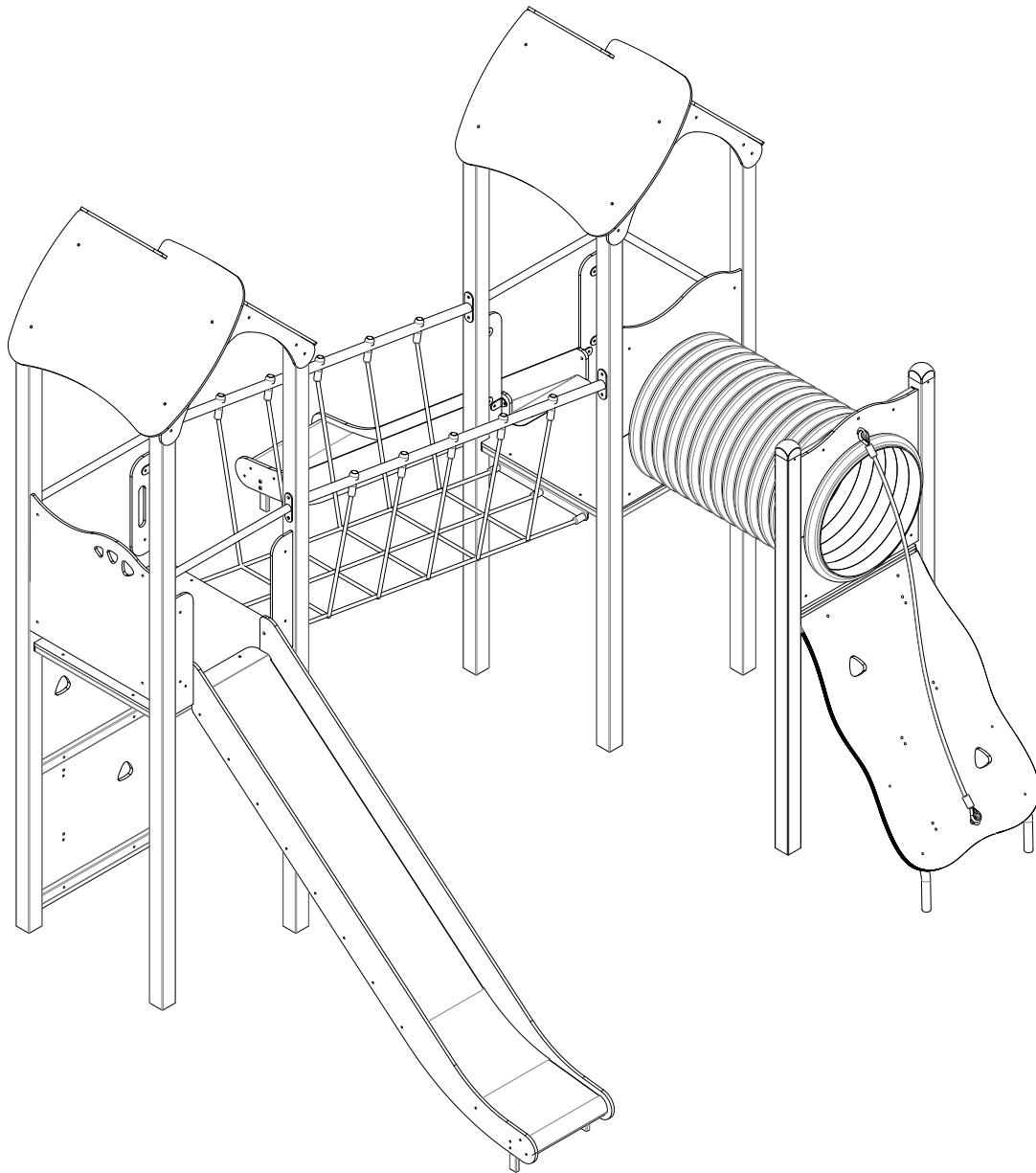


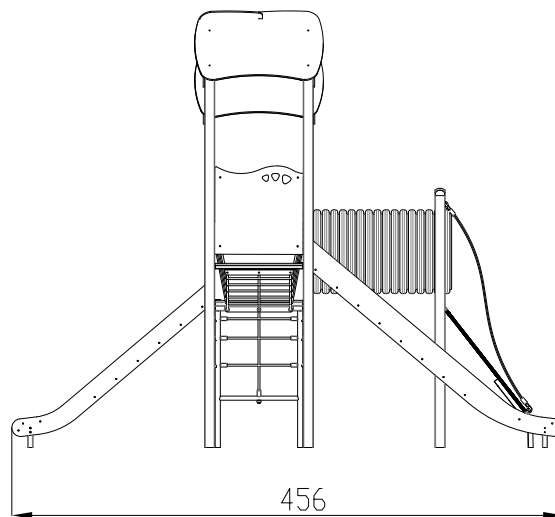
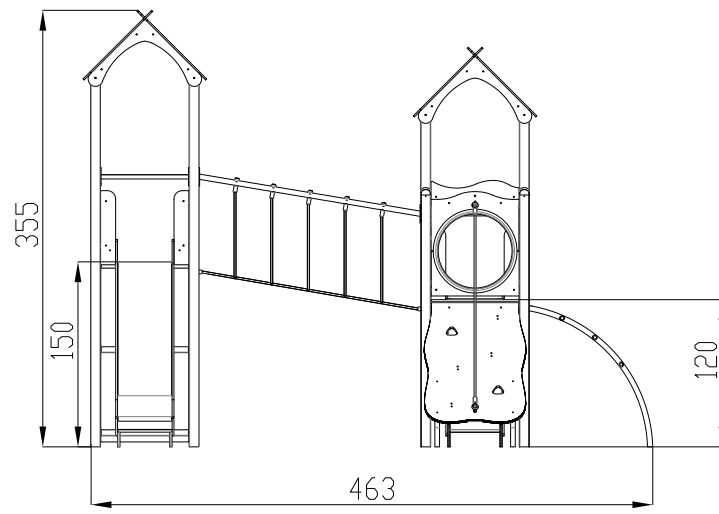
JPVAP03

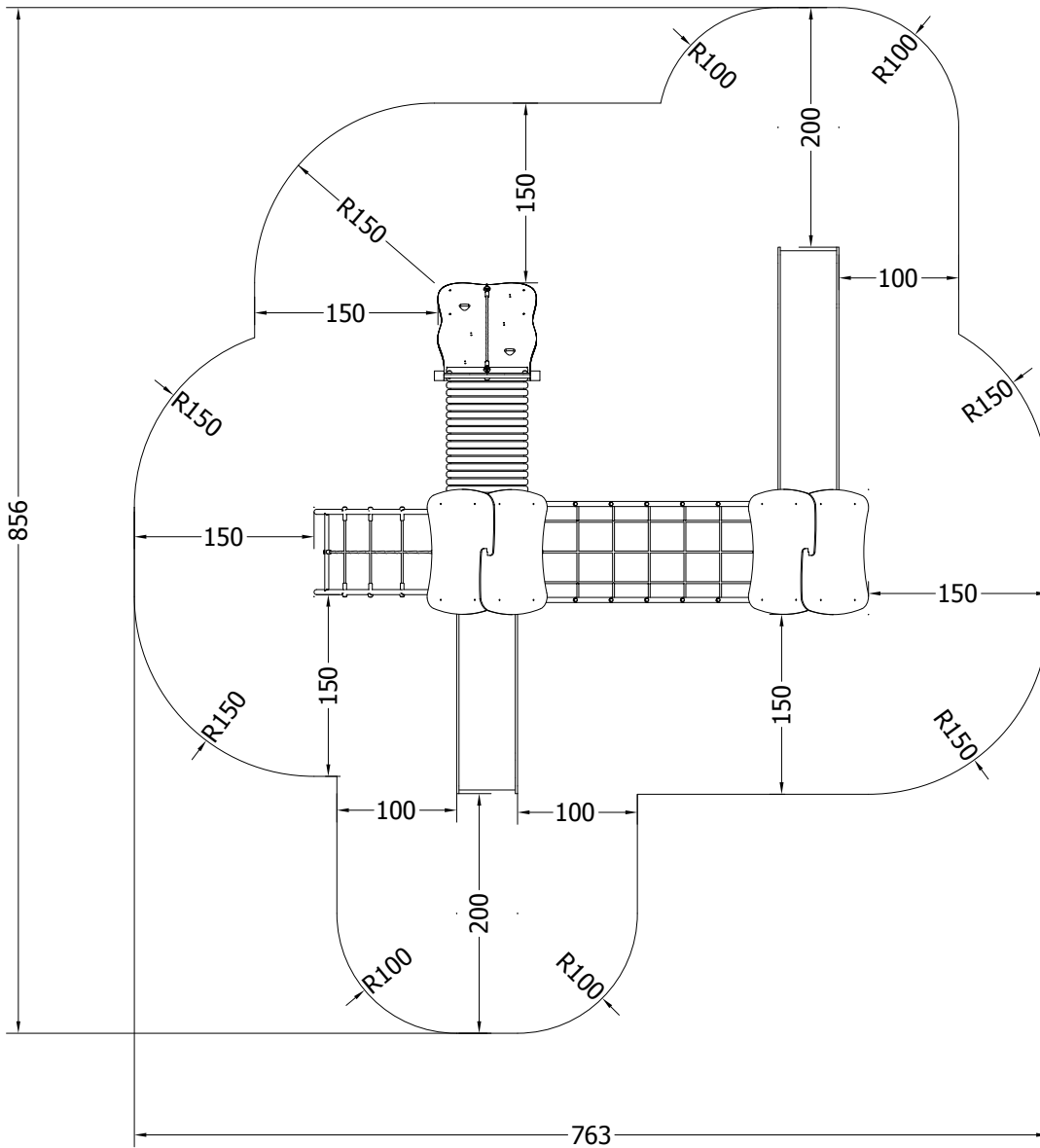
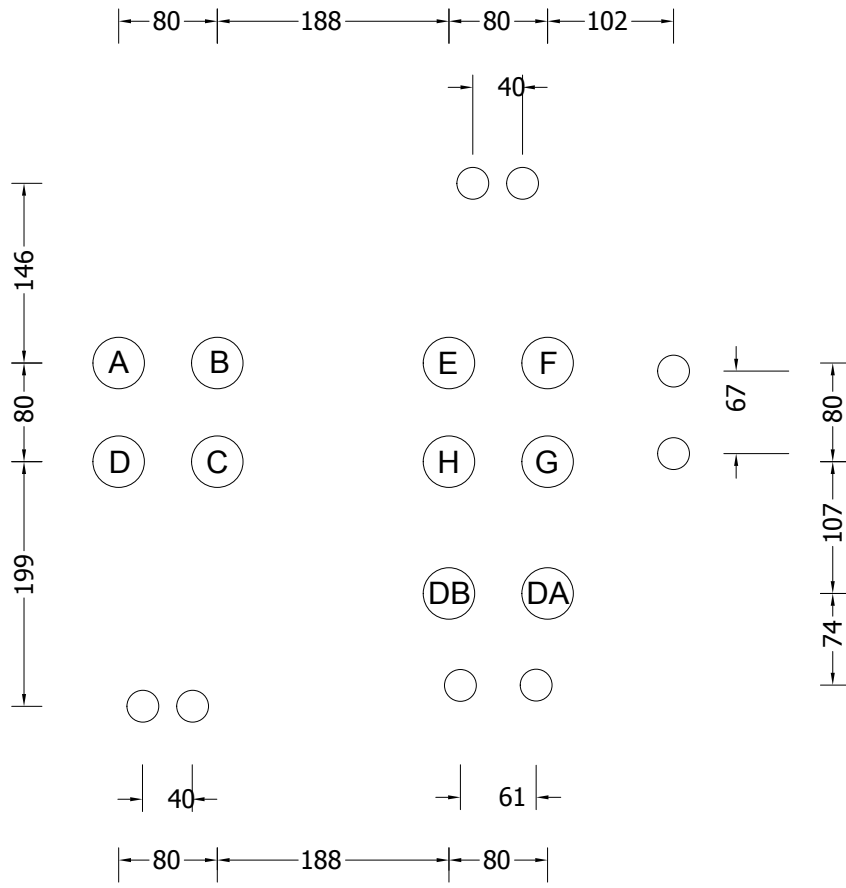


[cm]

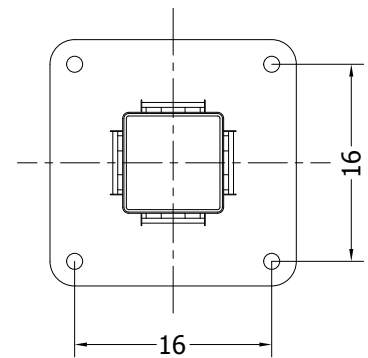
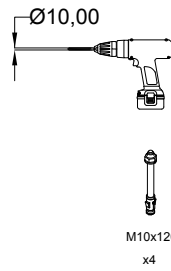
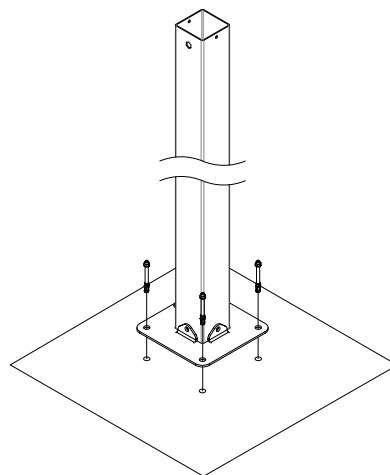
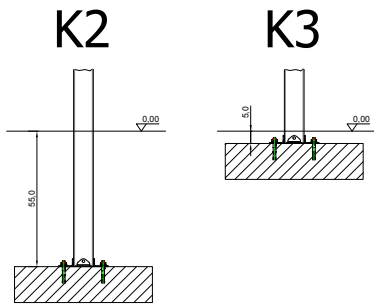
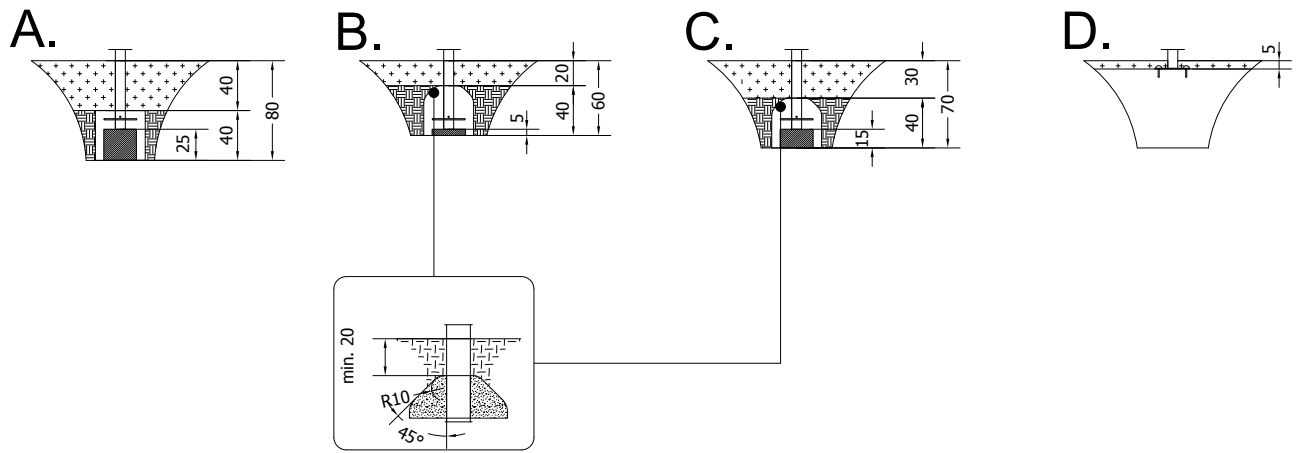
v6/07.05.18

BENITO

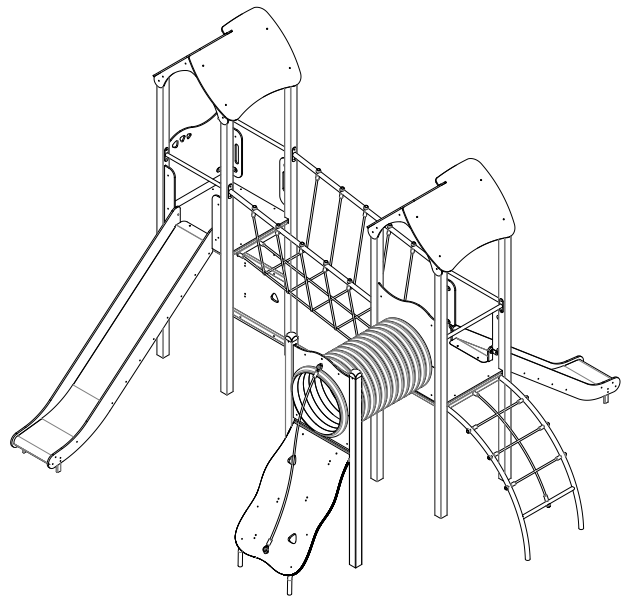
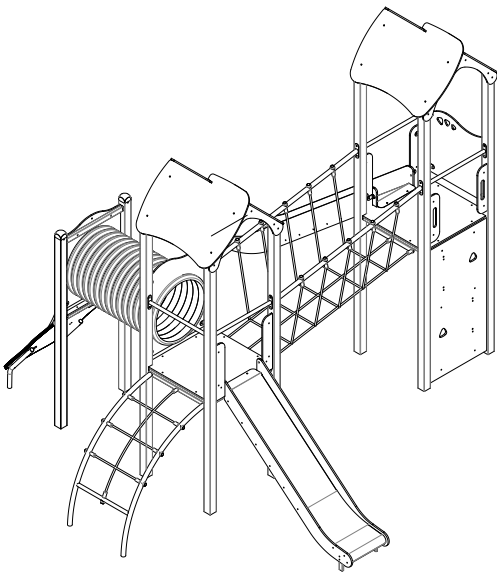
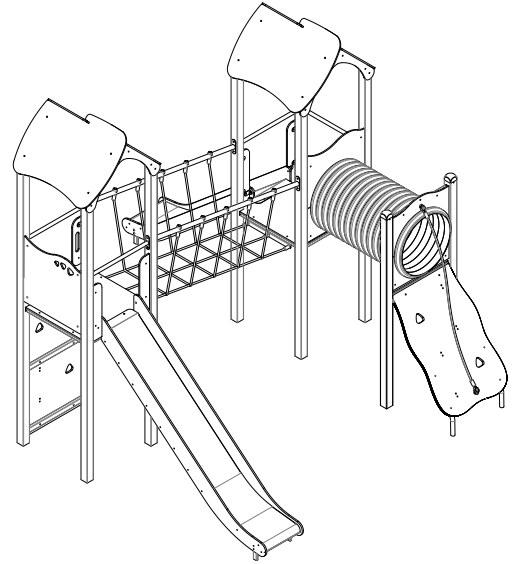
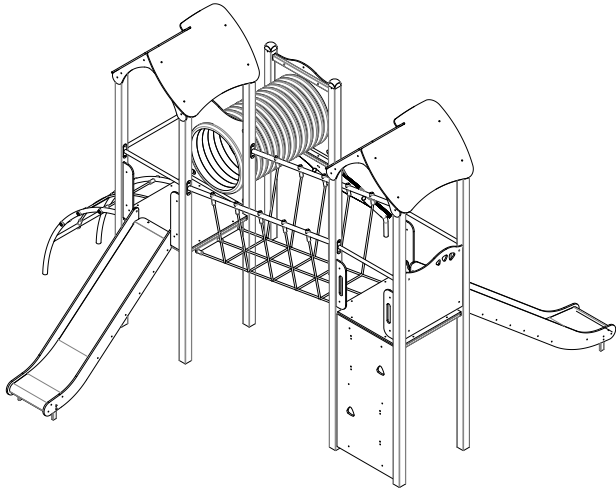


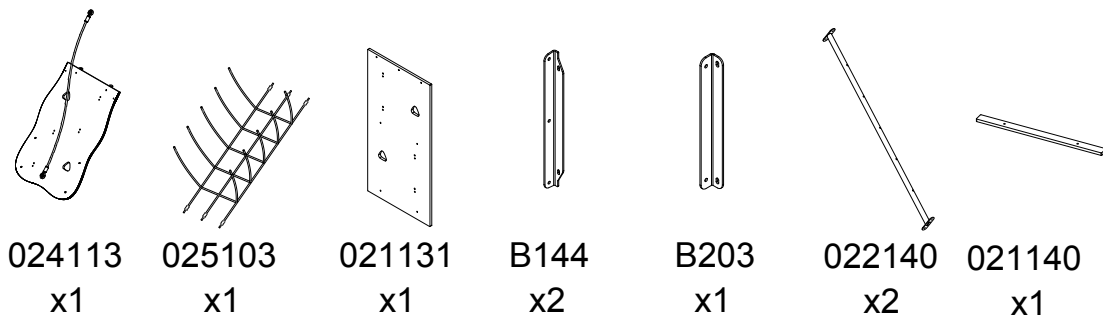
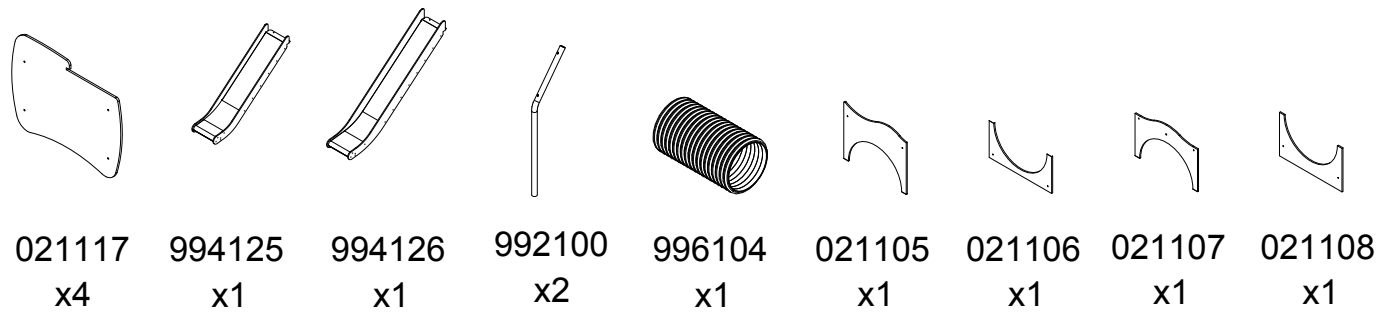
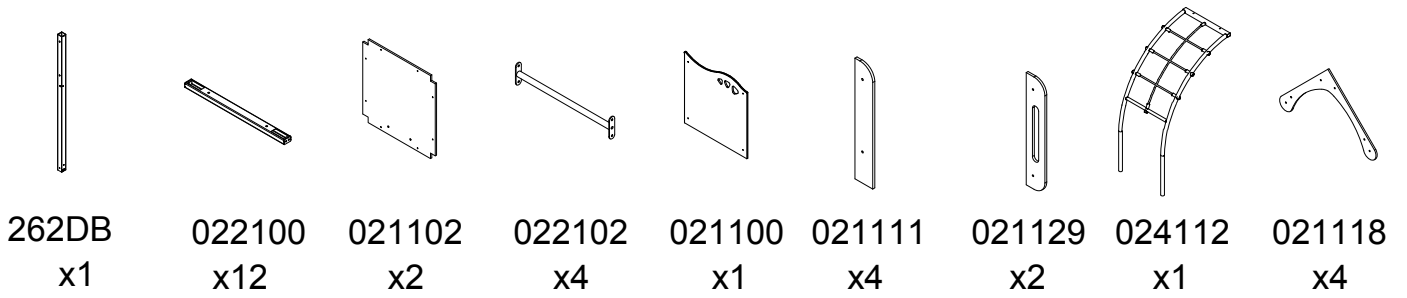
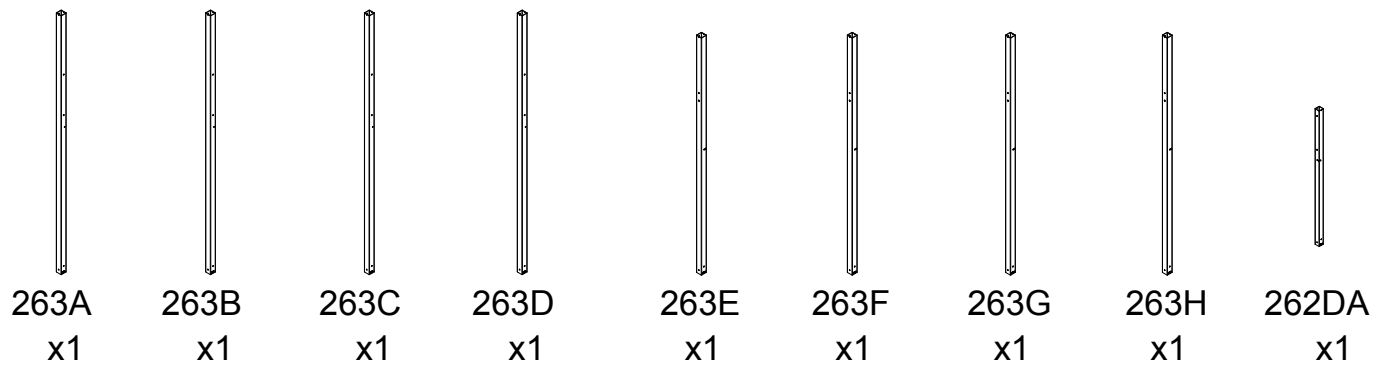


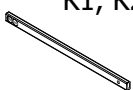


cm]



[cm]





 K1, K2 992105 x2	 K3 b219-2 x2	 K2, K3 b231 x4
--	---	---

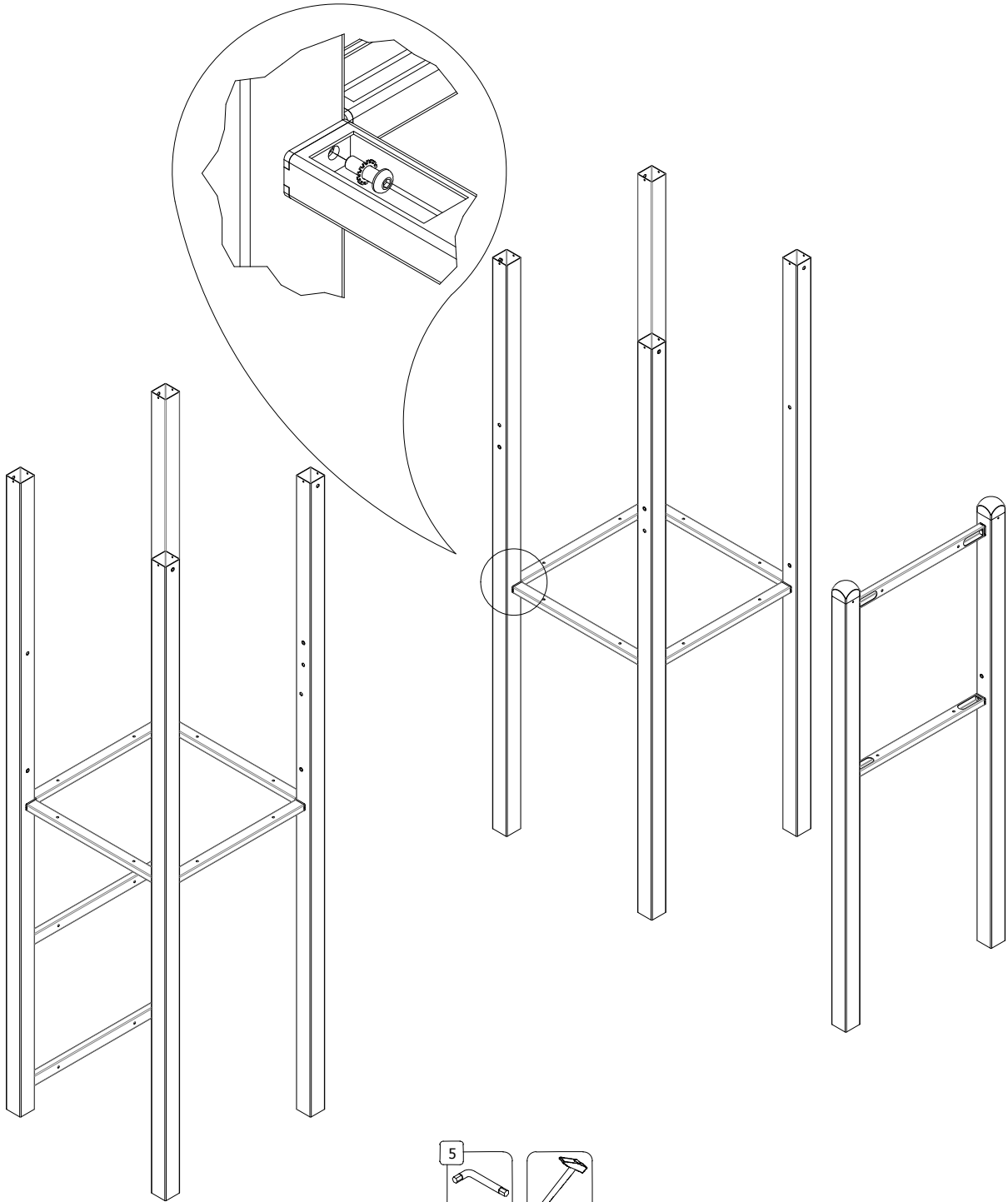
	HDPE	HPL	ST/INOX
1x	CE1		
2x	CE3	CL3	
3x	CE4	CE1	
1x	CE4		
1x	CE18		
2x	CE31	CL31	
2x	Z3		
6x			E1
3x			E3
2x			E34
2x			E35**
1x			E37*

	PLYWOOD	HPL
1x	PS1	PH1
1x	PS2	PH2
1x	PS26	PH26
1x	PS27	PH27
1x	E4	E5
2x	E8	E9
1x	E10	E11

* K2, K3

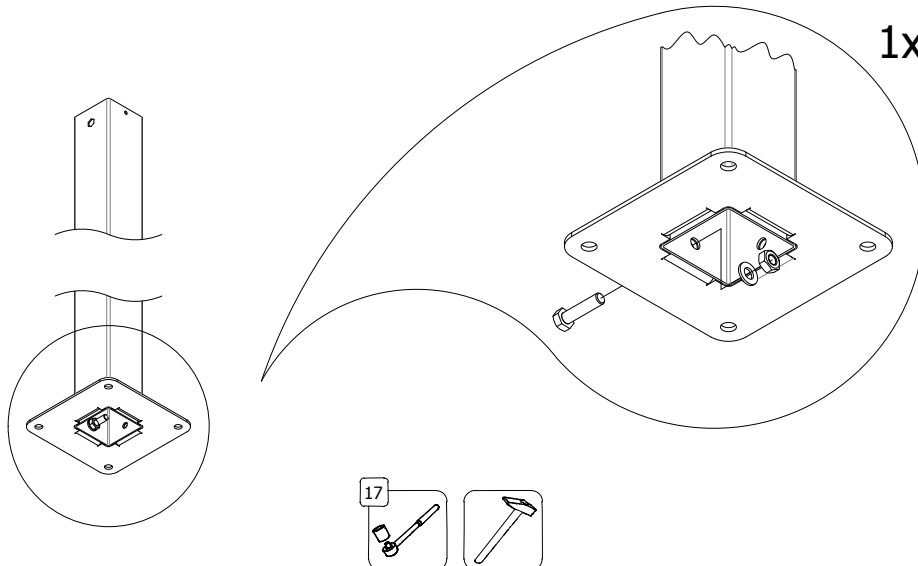
** K2

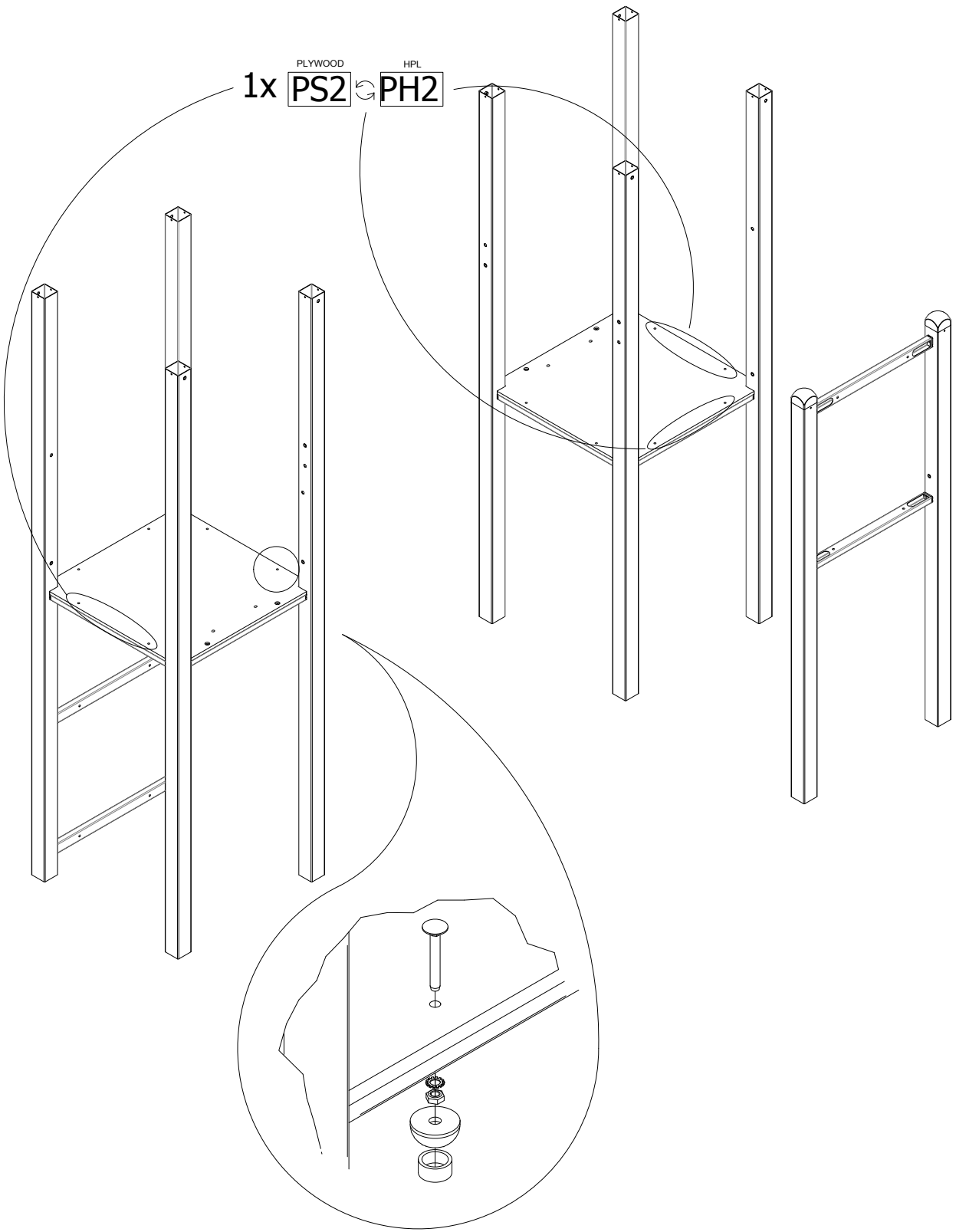
3x E3



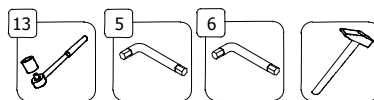
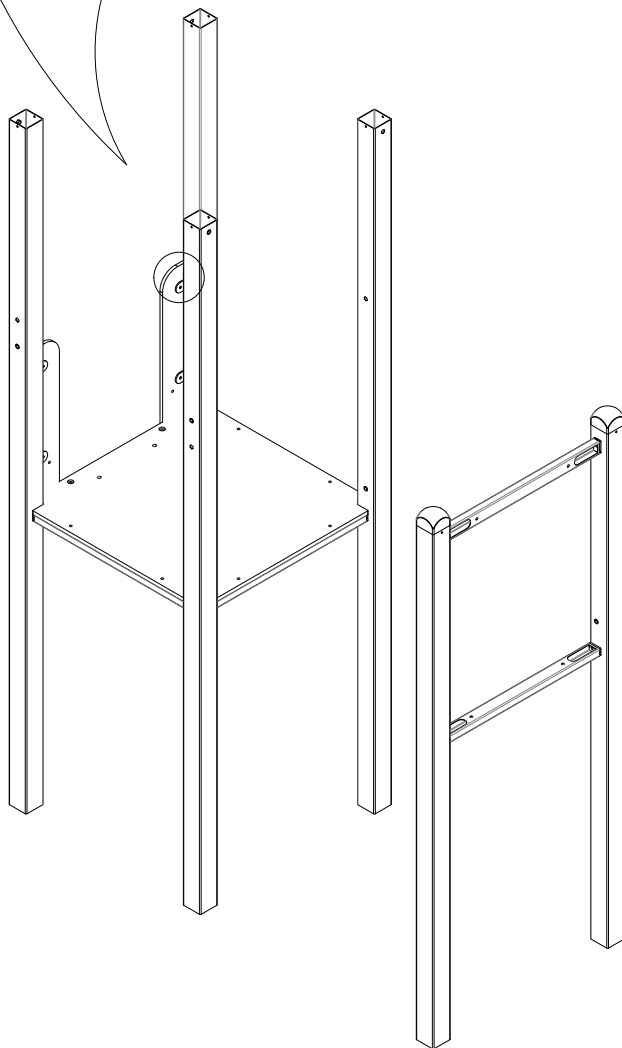
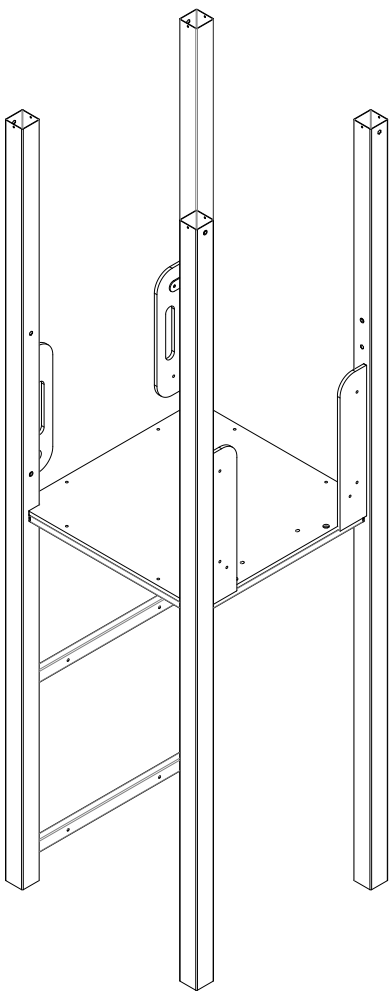
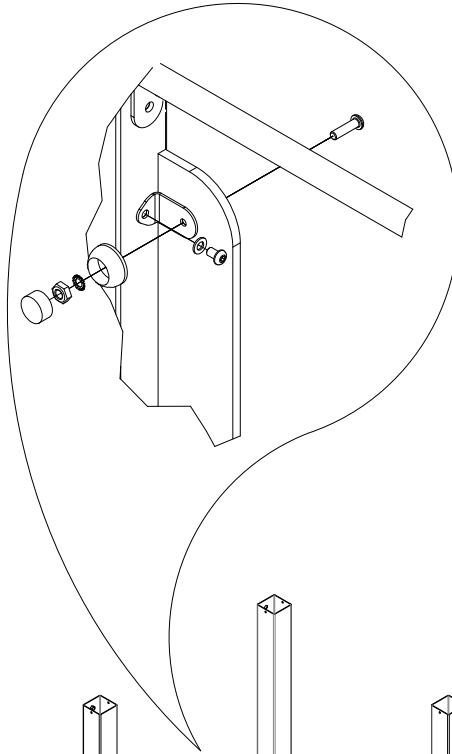
K2, K3

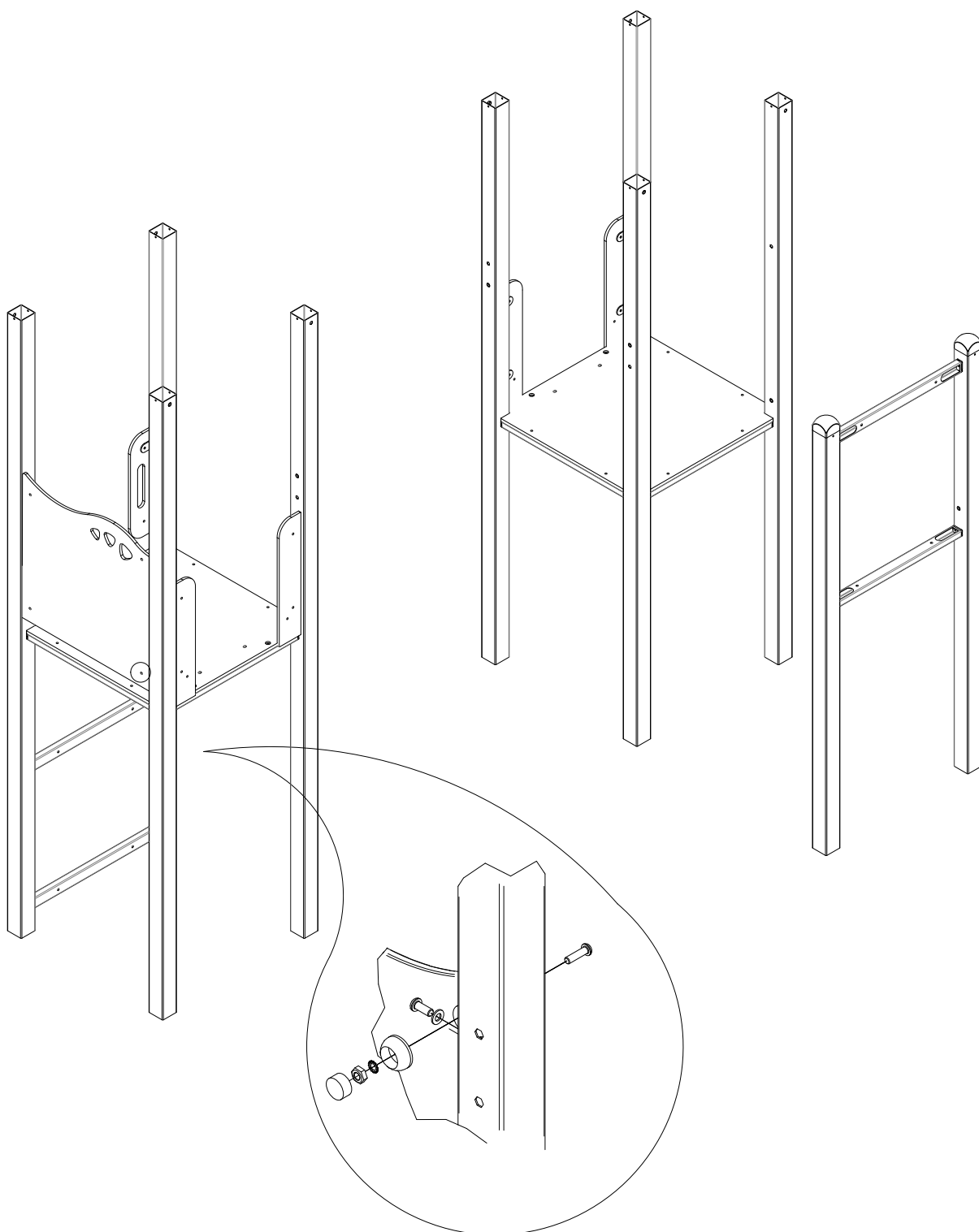
1x E37



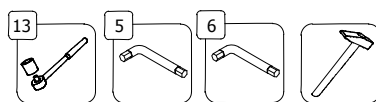


3x ^{HDPE} CE4 ⇌ ^{HPL} CE1

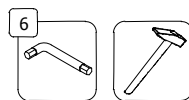
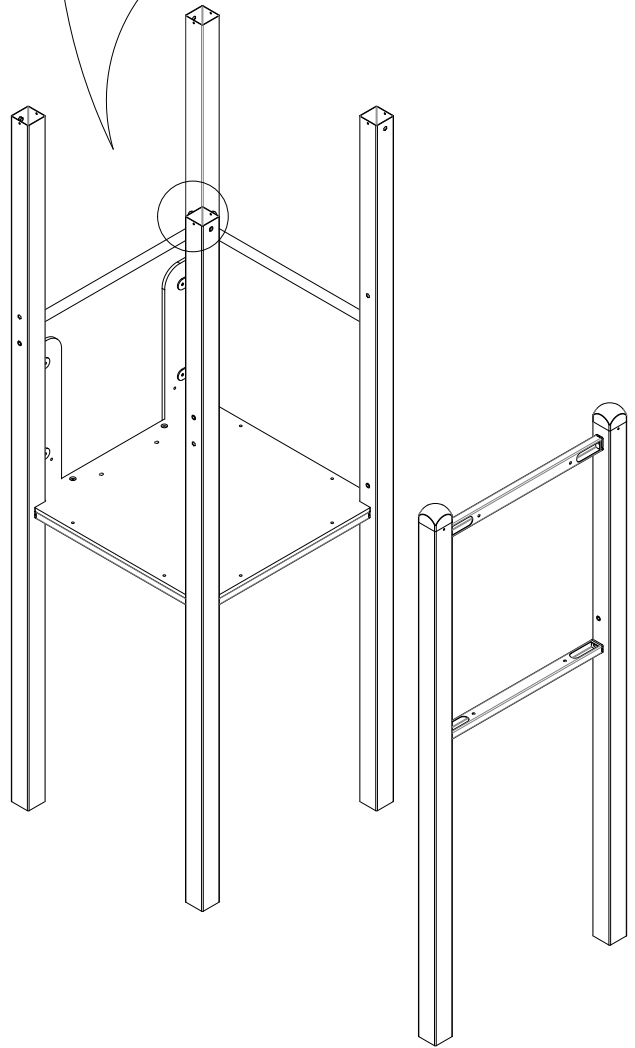
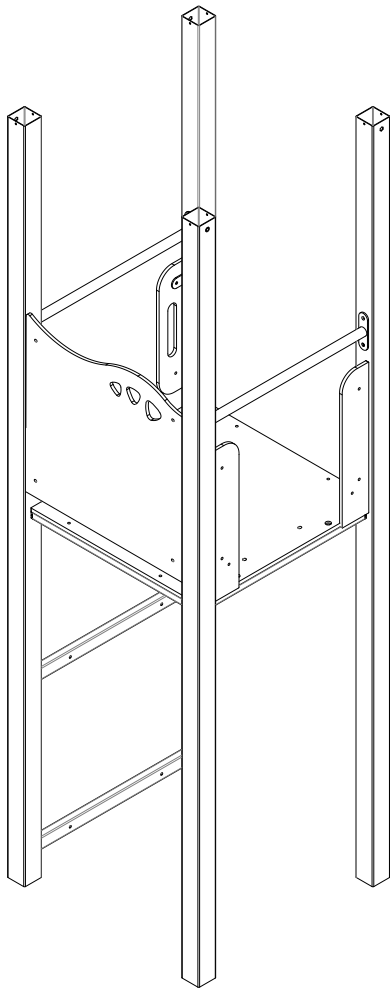
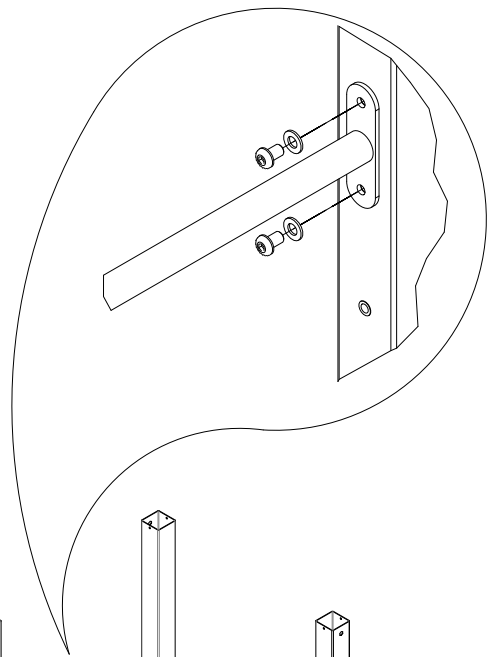




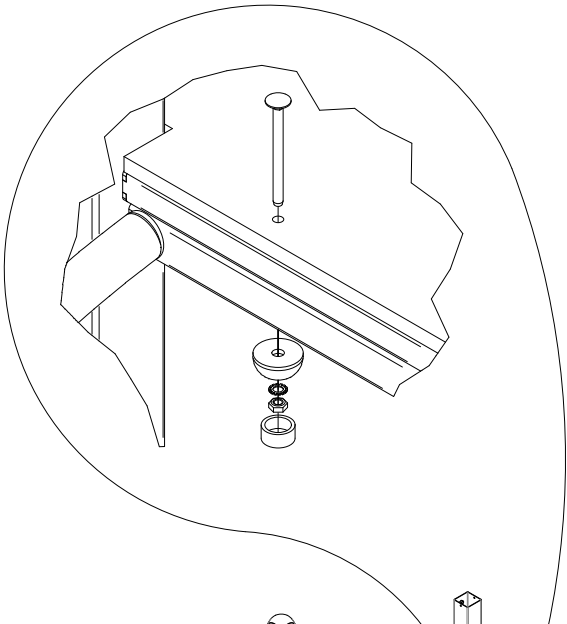
1x **CE1**



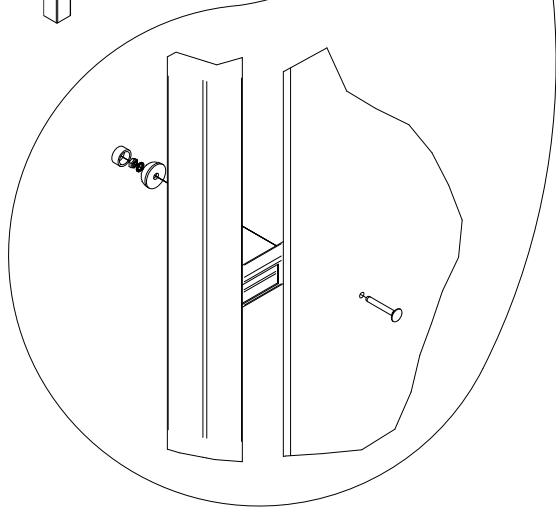
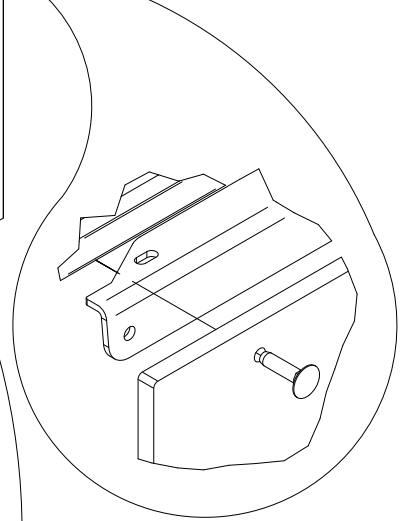
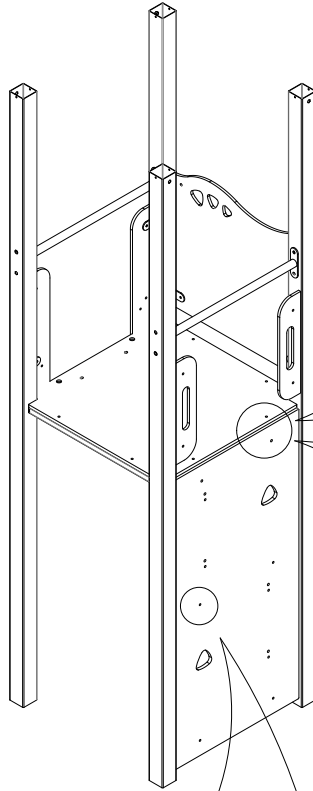
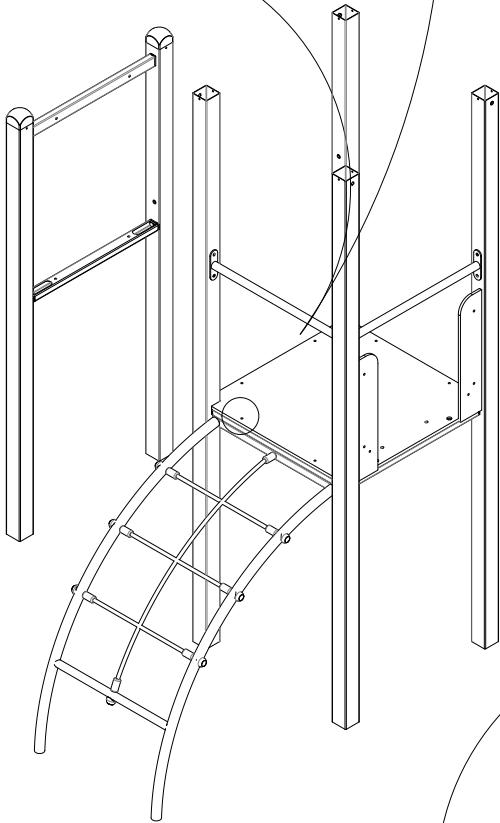
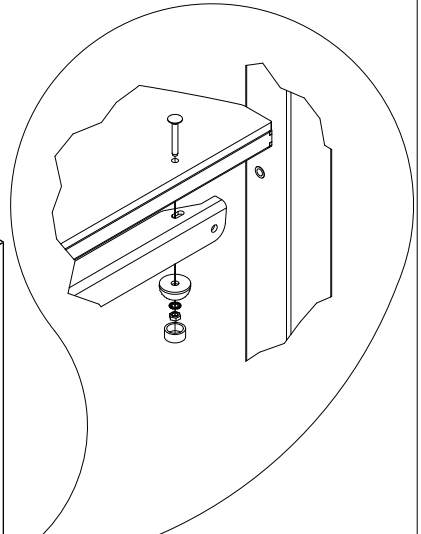
4x E1



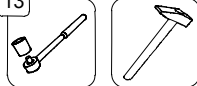
1x PLYWOOD E4 HPL E5



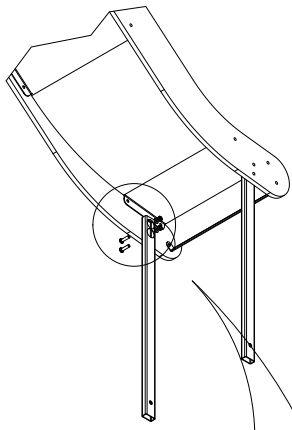
1x PLYWOOD PS26 HPL PH26



13

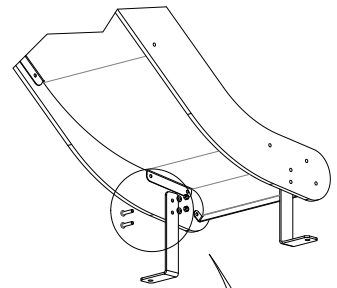


K1



2x E34

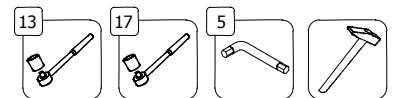
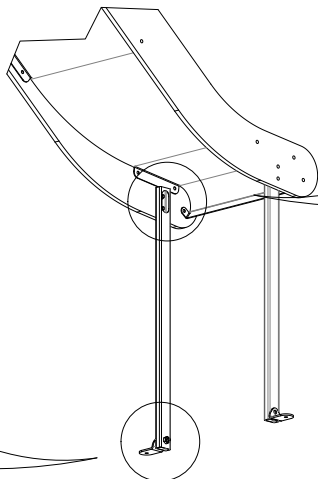
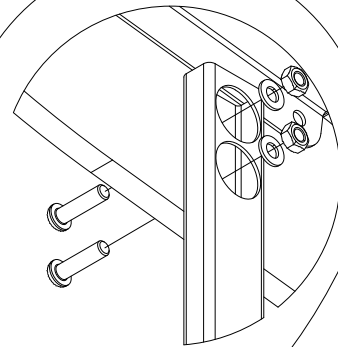
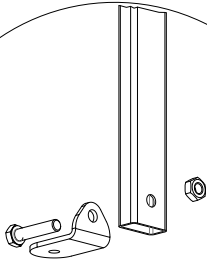
K3

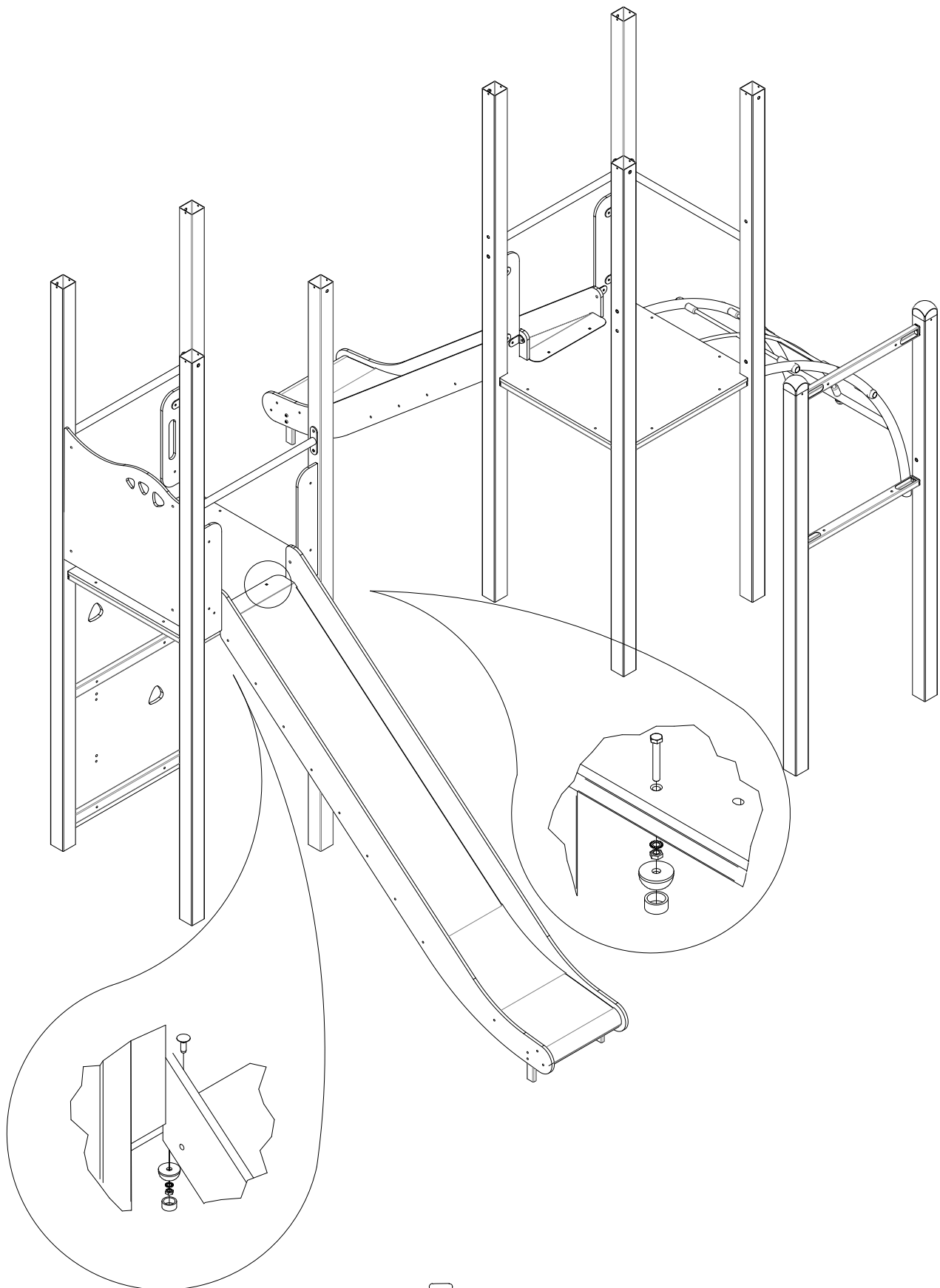


2x E34

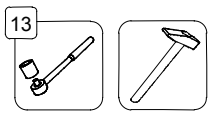
K2

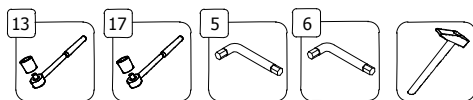
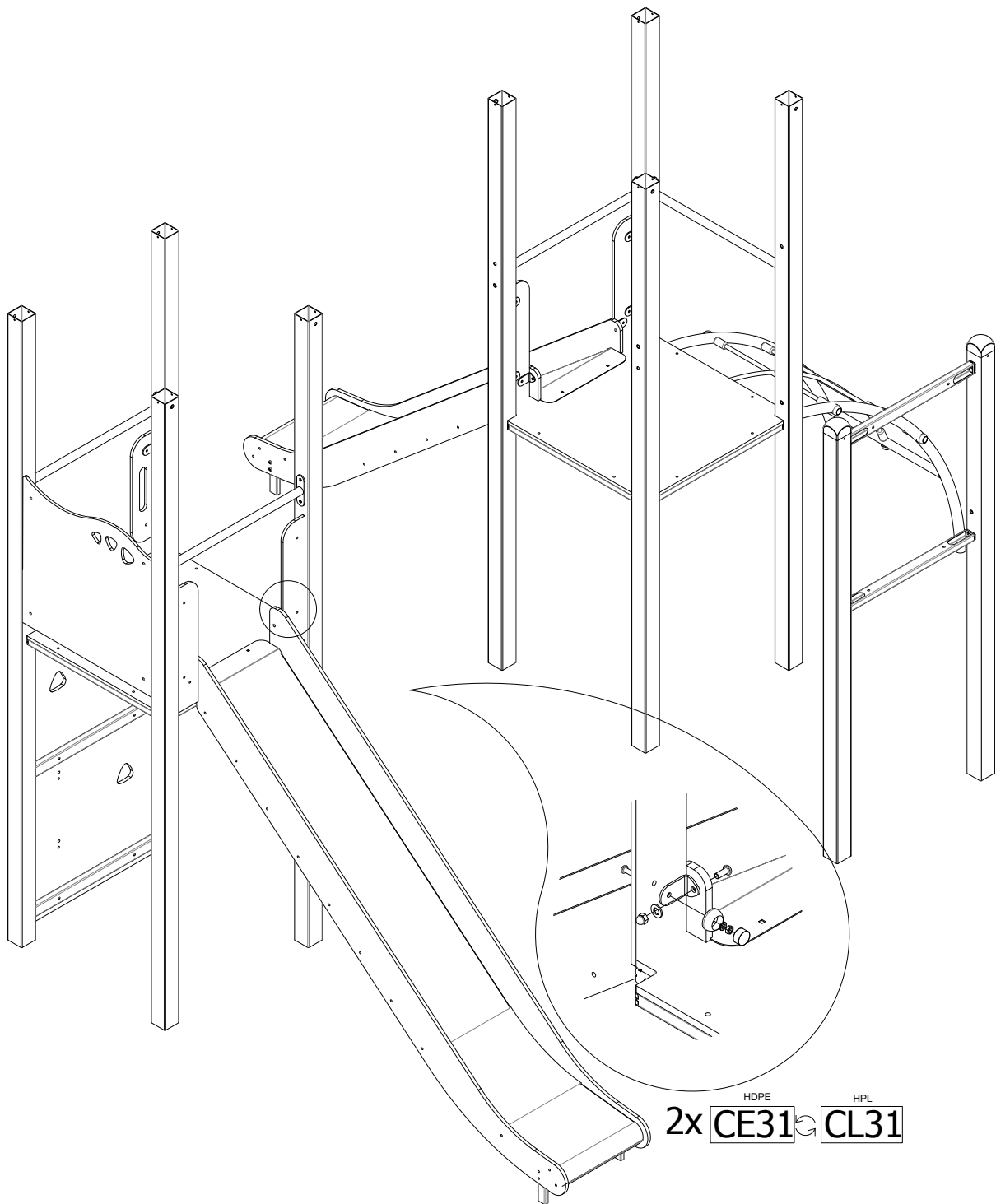
2x E35



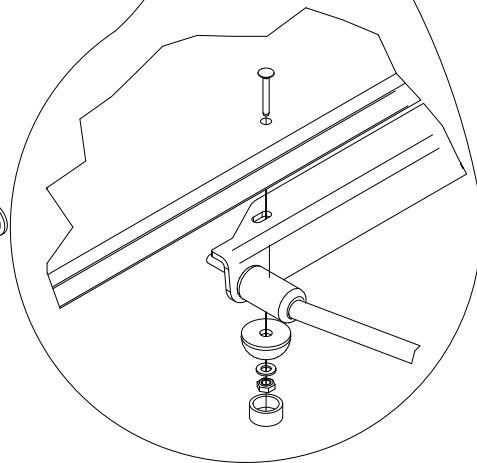
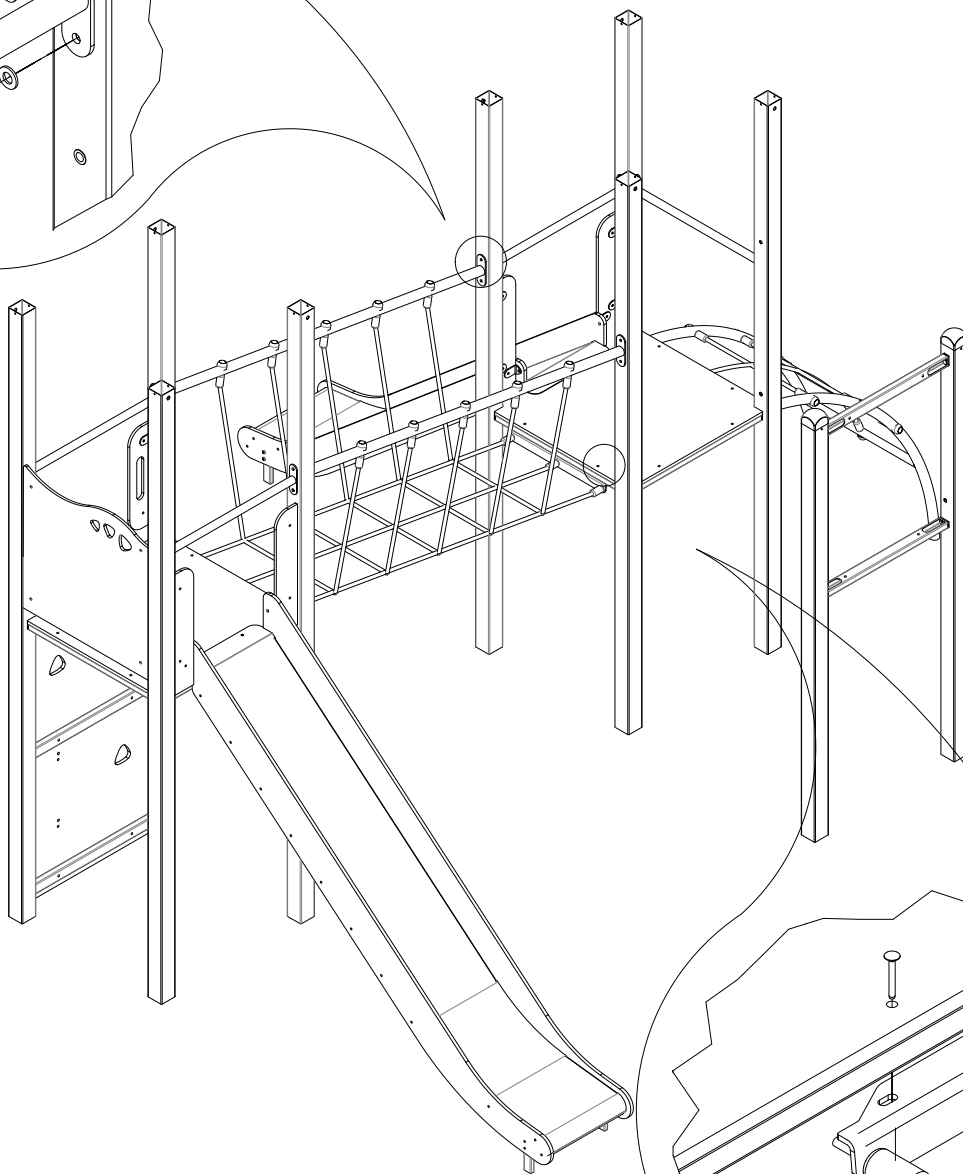
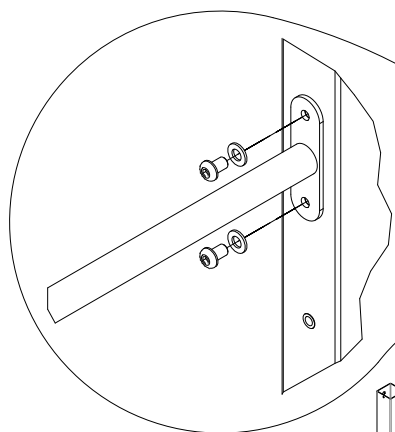


PLYWOOD HPL
2x **E8** **E9**





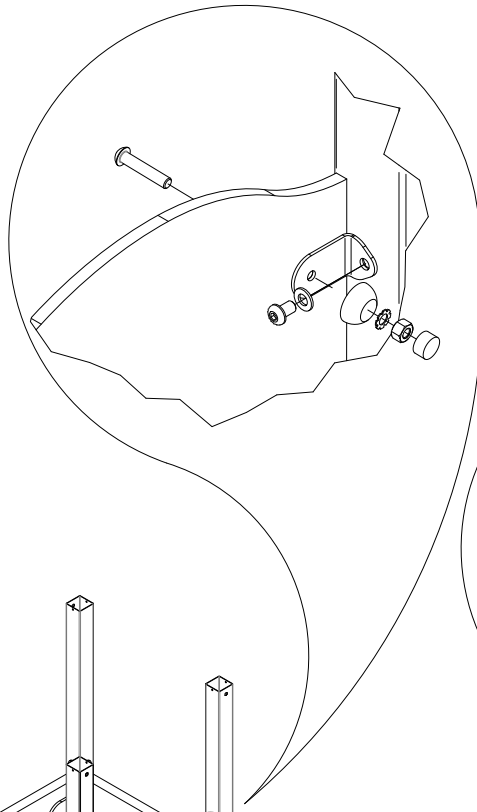
2x **E1**



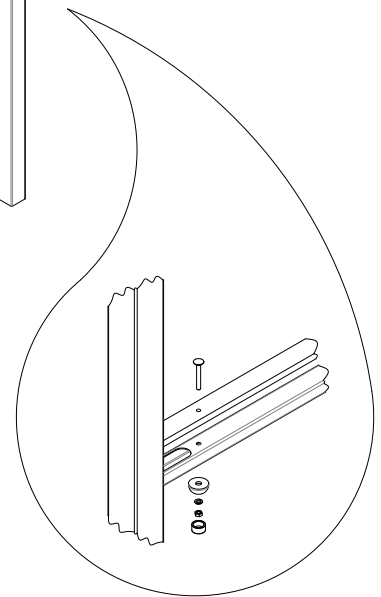
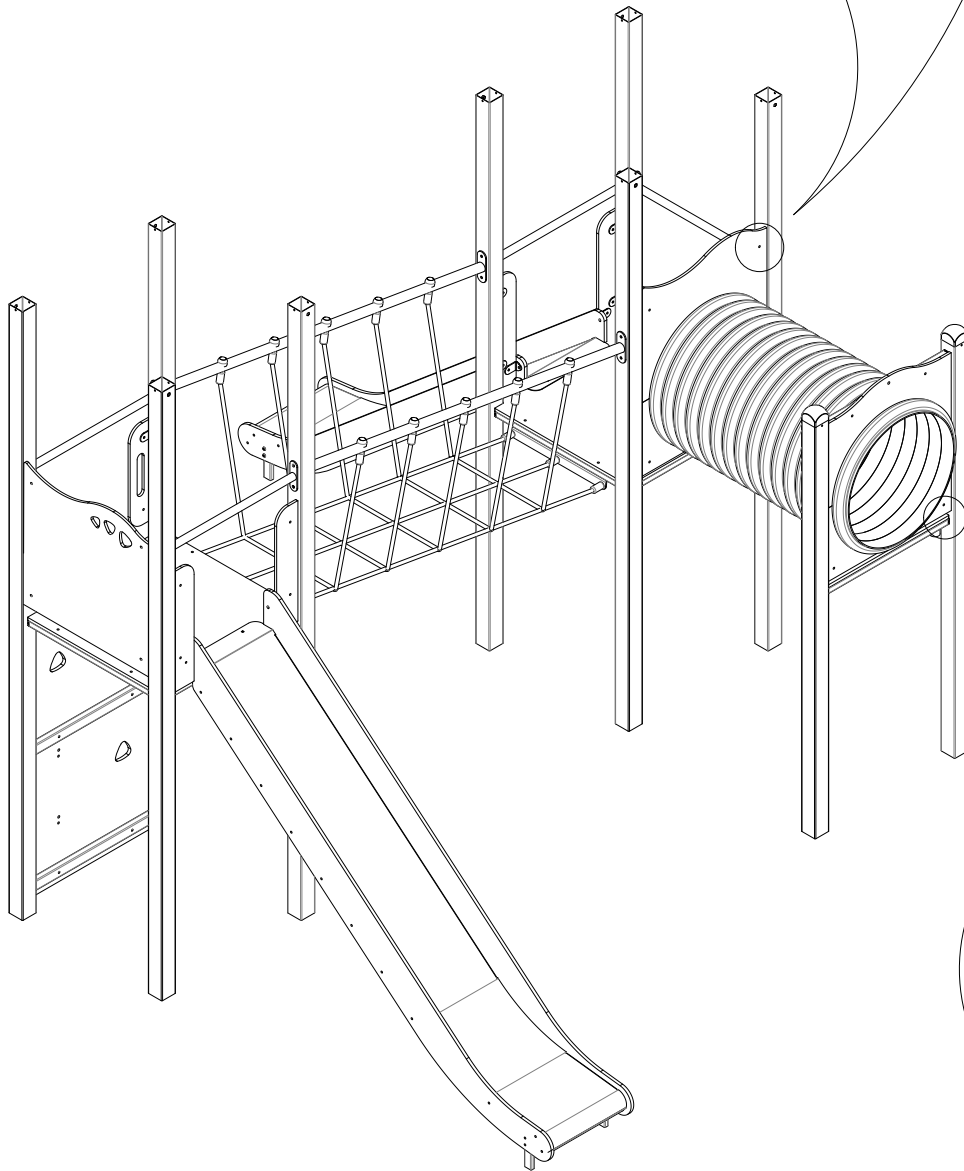
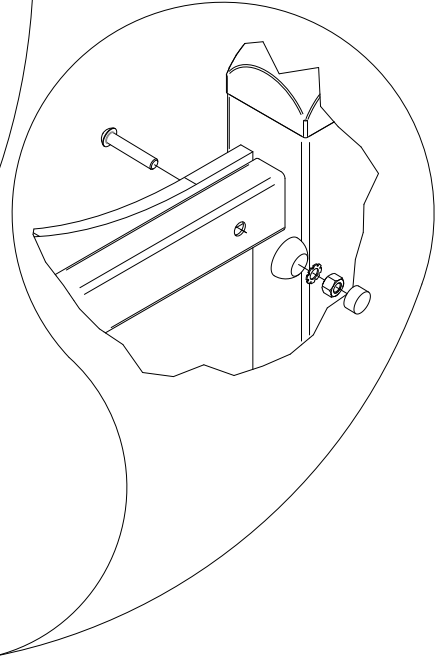
PLYWOOD HPL
1x **E10** ↻ **E11**



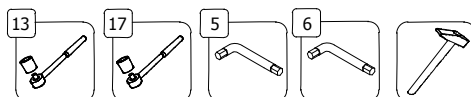
1x **CE4**

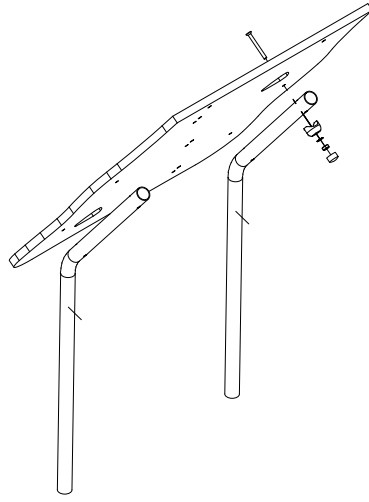


1x **CE18**

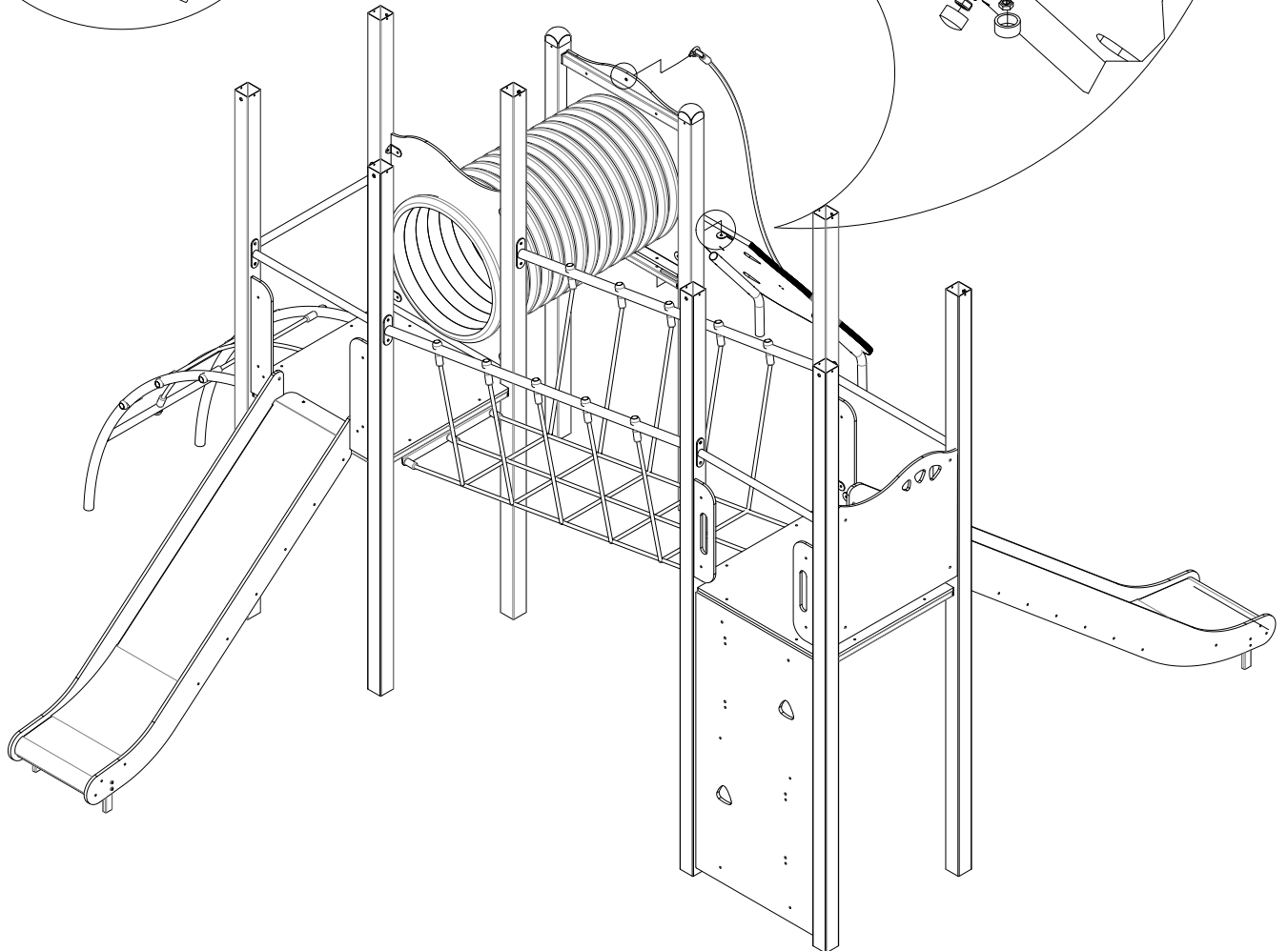
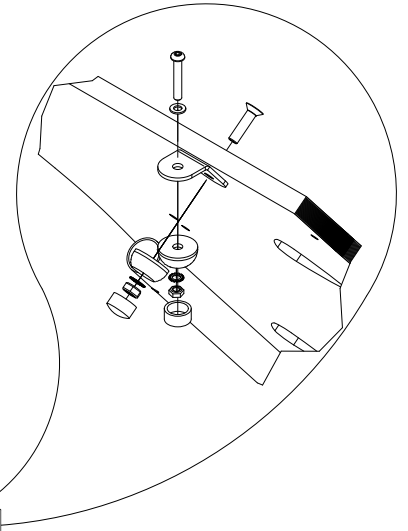
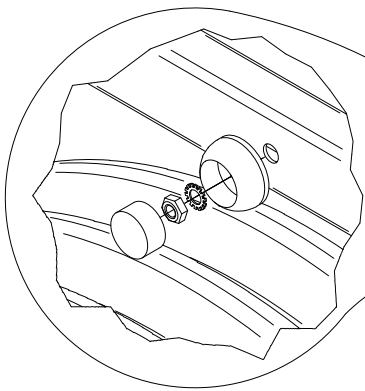


1x **PS1** PLAYWOOD **PH1** HPL





1x PLAYWOOD PS27 HPL PH27

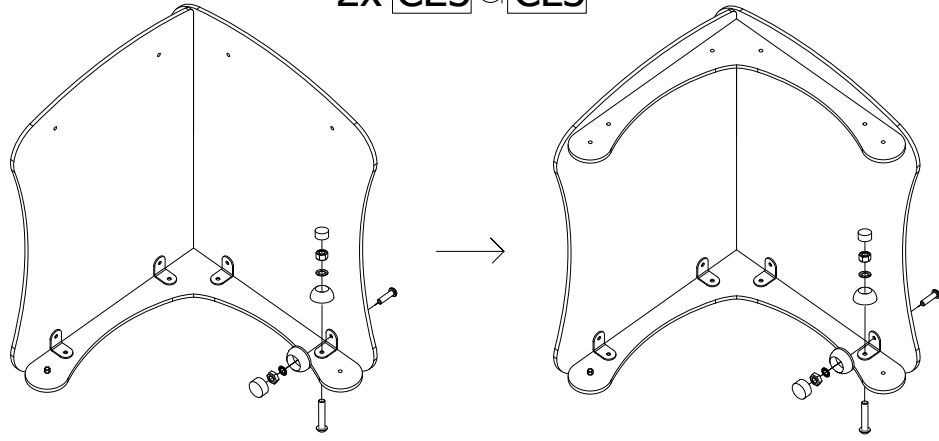


13

17



HDPE
2x CE3 ↔ CL3
HPL



2x Z3

