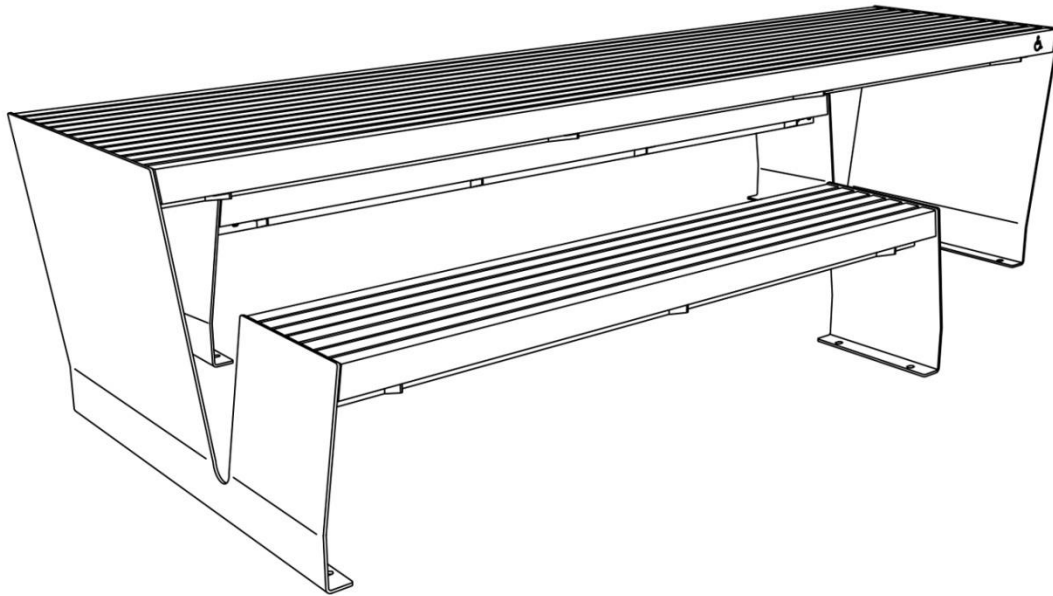


VEGA Picnic set

PSV331



The picture is only illustrative, it may not exactly match the product described.

<p>Product description</p>	<p>Construction is made of steel weldment treated with powder coating. The seats and table top are made from solid wooden lamellas attached to the supporting structure with stainless screws. The construction of the benches and table desk is made of two sides welded from 4 mm and 6 mm thick sheet steel plates connected by a longitudinal reinforcement. Seats and table desk are made of solid wood of dimensions 70x40 for tropical wood and 68x42 mm for wood pine ThermoWood® mm and a length 2978 mm (table) and 2334/1734 mm (seats) respectively. The picnic set allows access for one person in a wheelchair.</p>
<p>Material</p>	<p>Construction: steel grade 11 treated with powder coating Solid wood: tropical wood, wood pine ThermoWood®</p> <p style="text-align: right;">DOWNLOAD PDF SAMPLER ></p>
<p>Surface treatment</p>	<p>Galvanized steel treated with powder coating in colour variations: RAL 7016 (anthracite grey), RAL 9005 (jet black), RAL 9006 (white aluminium), RAL 9007 (grey aluminium), RAL 9003 (white), RAL 3003 (red), RAL 6021 (green), shade of Corten (rusty). Other RAL shades according to RAL sampler on request only. Thermally modified wood pine ThermoWood® – penetration coating for wood with UV protection Tropical wood – treated with teak oil</p>
<p>Dimensions</p>	<p>3000×1580×744 mm</p>
<p>Anchoring</p>	<p>Anchoring is done with eight stainless steel threaded rods M10 of length min. 200 mm and eight nut cover caps M10 with a chemical anchor into concrete foundations prepared in advance. A detailed drawing is available for download on the website for each particular product.</p>

