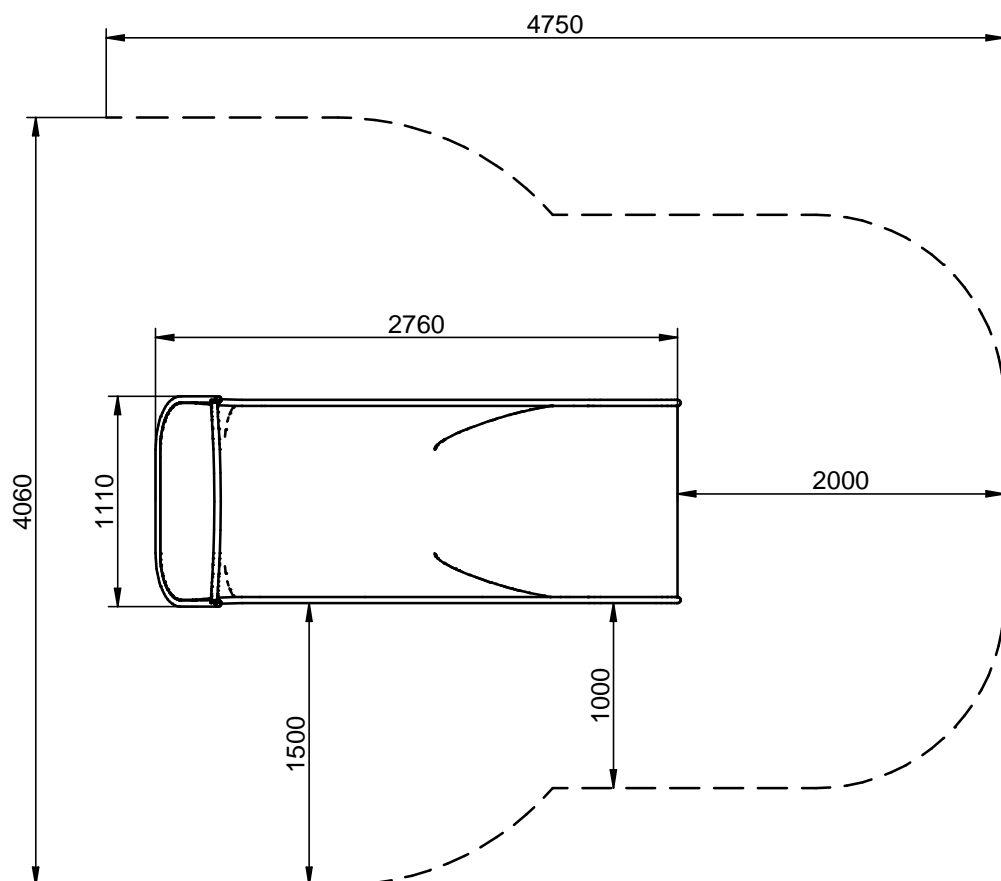
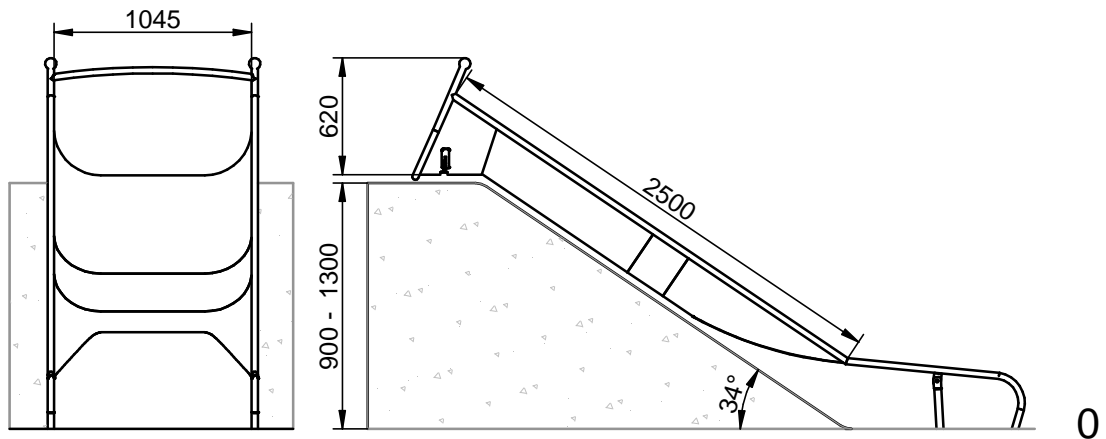
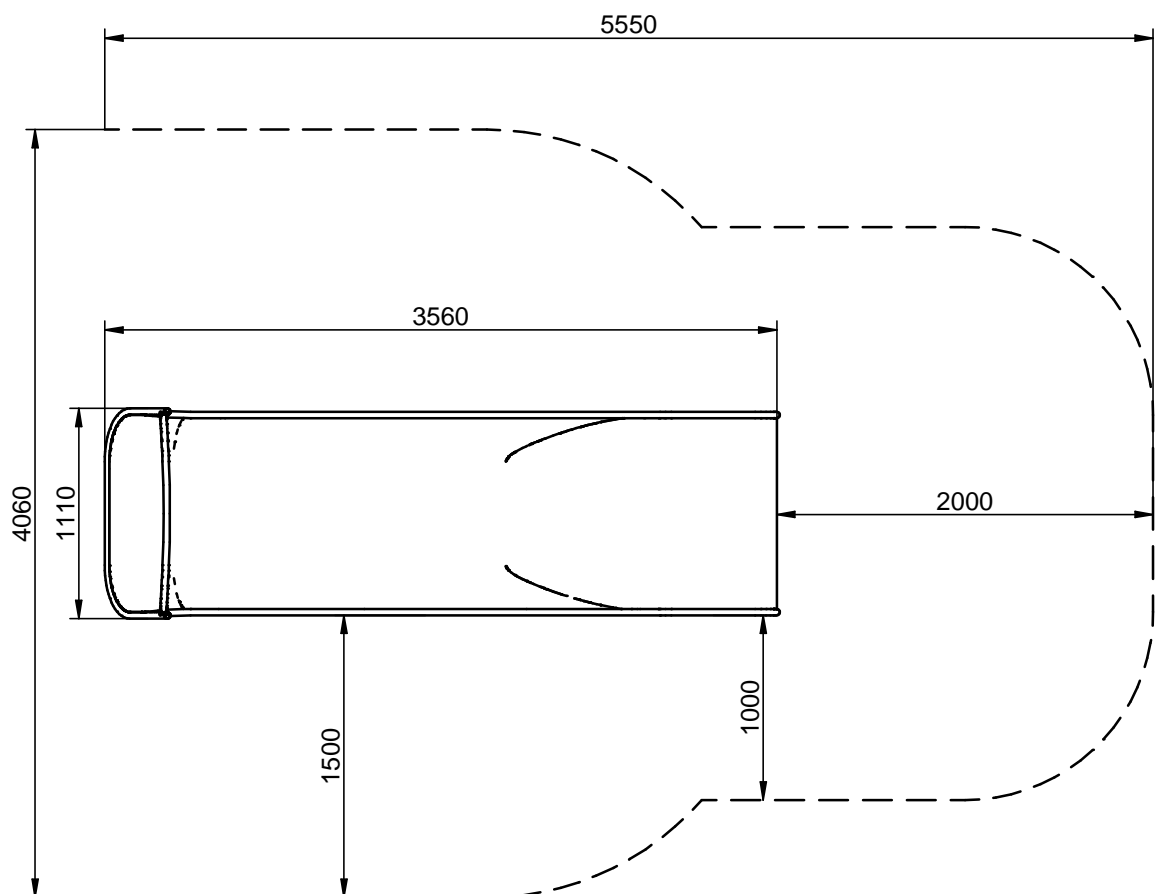
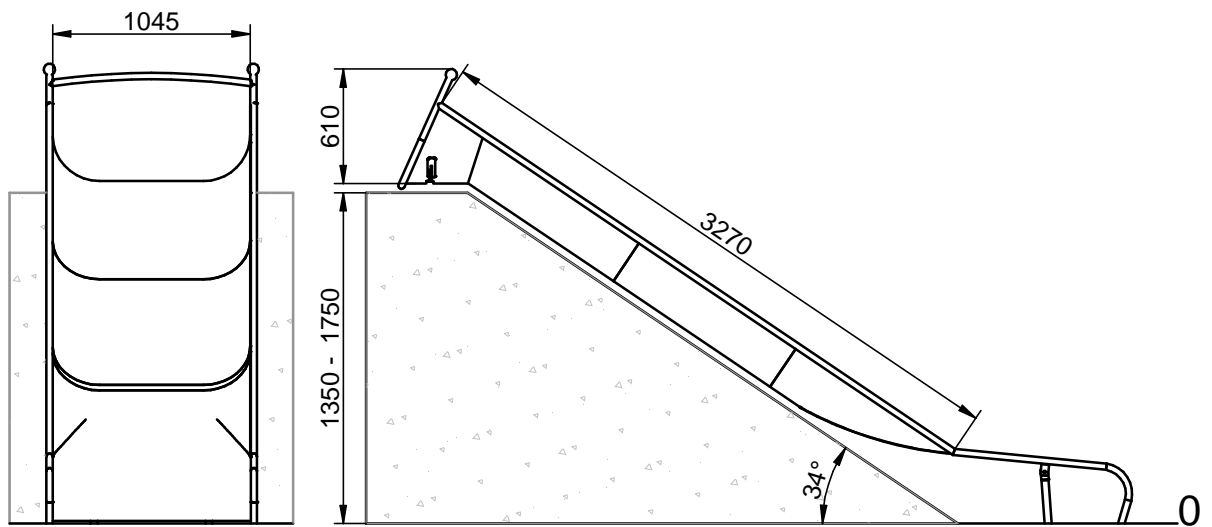


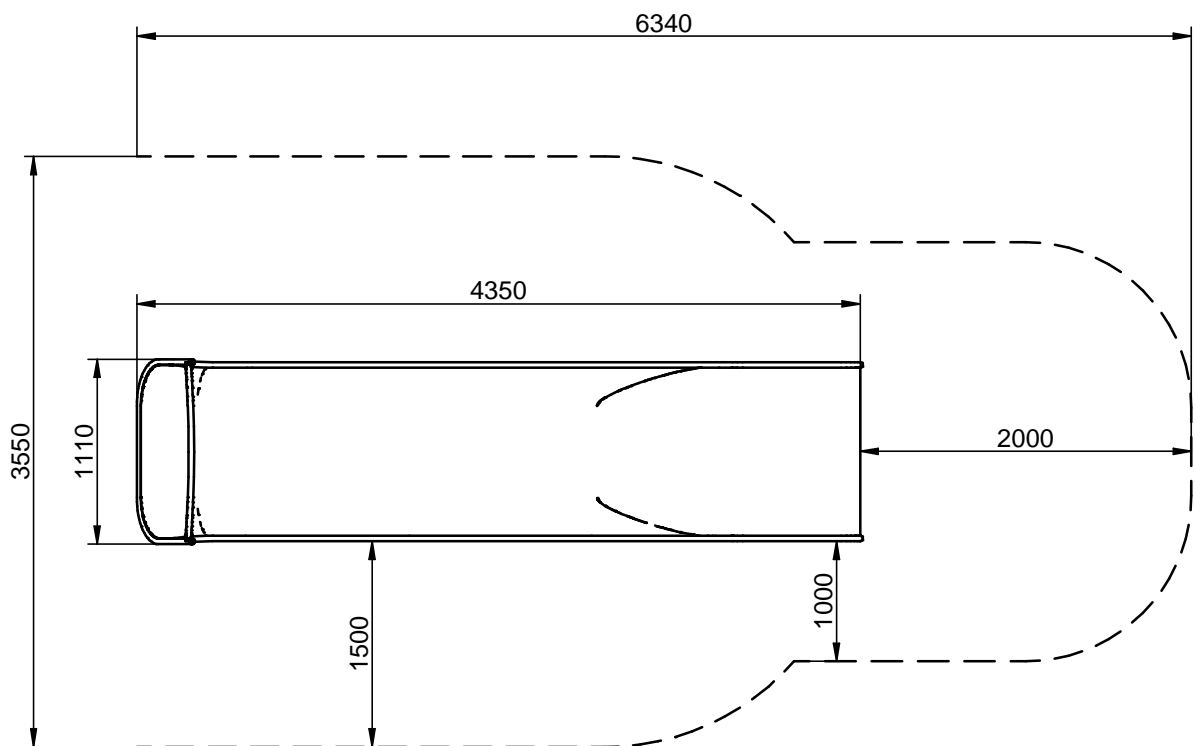
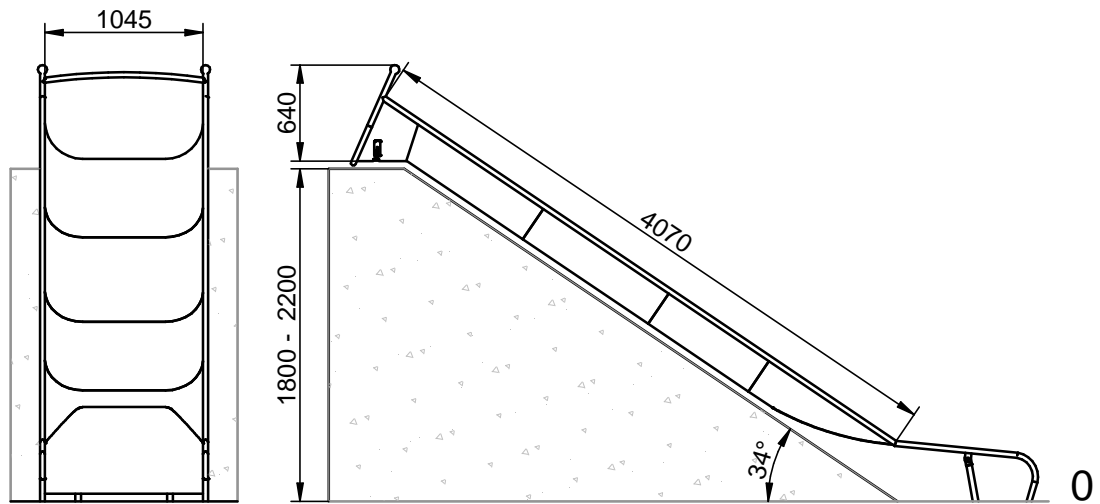
Stotal = 16 m² H= 1 m



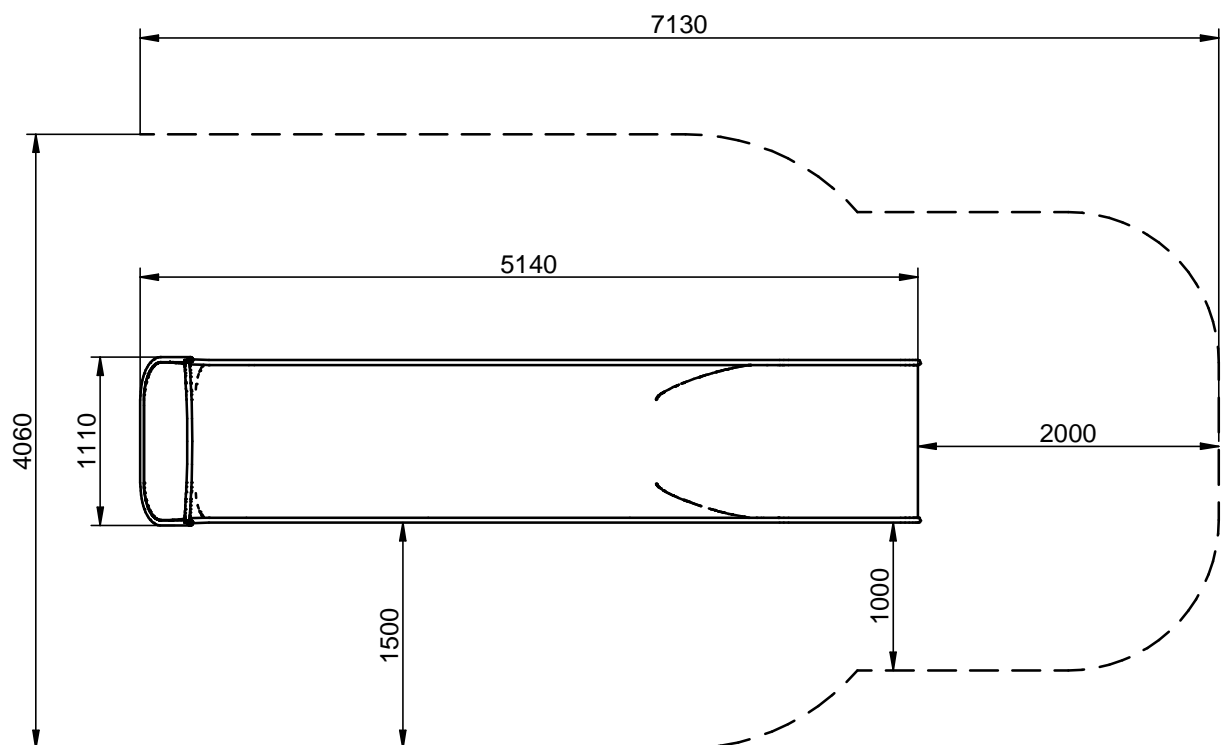
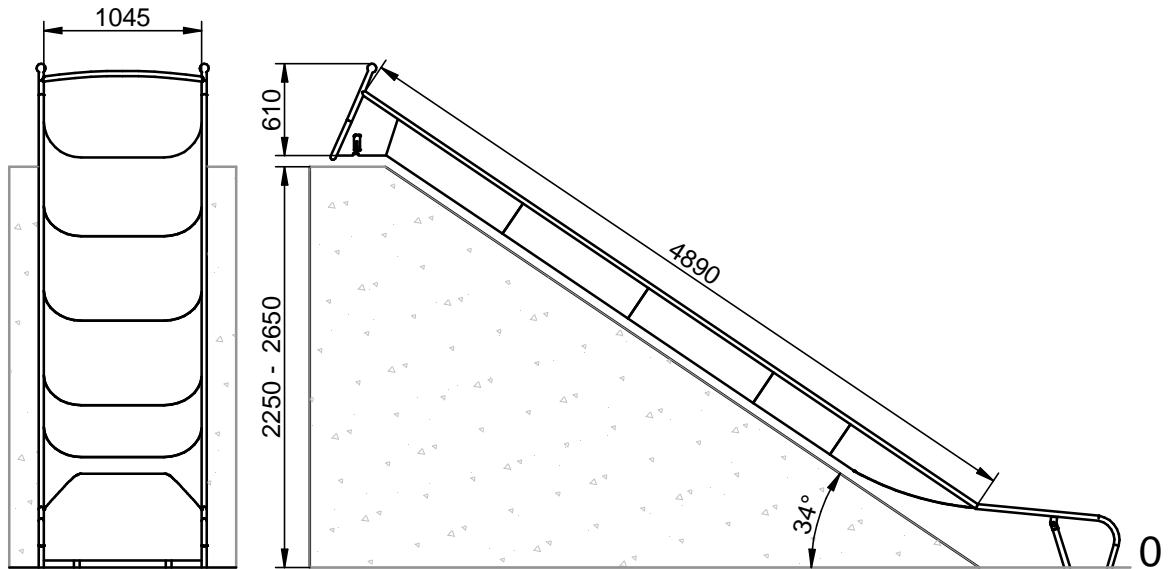
Stotal = 20m² H= 1 m



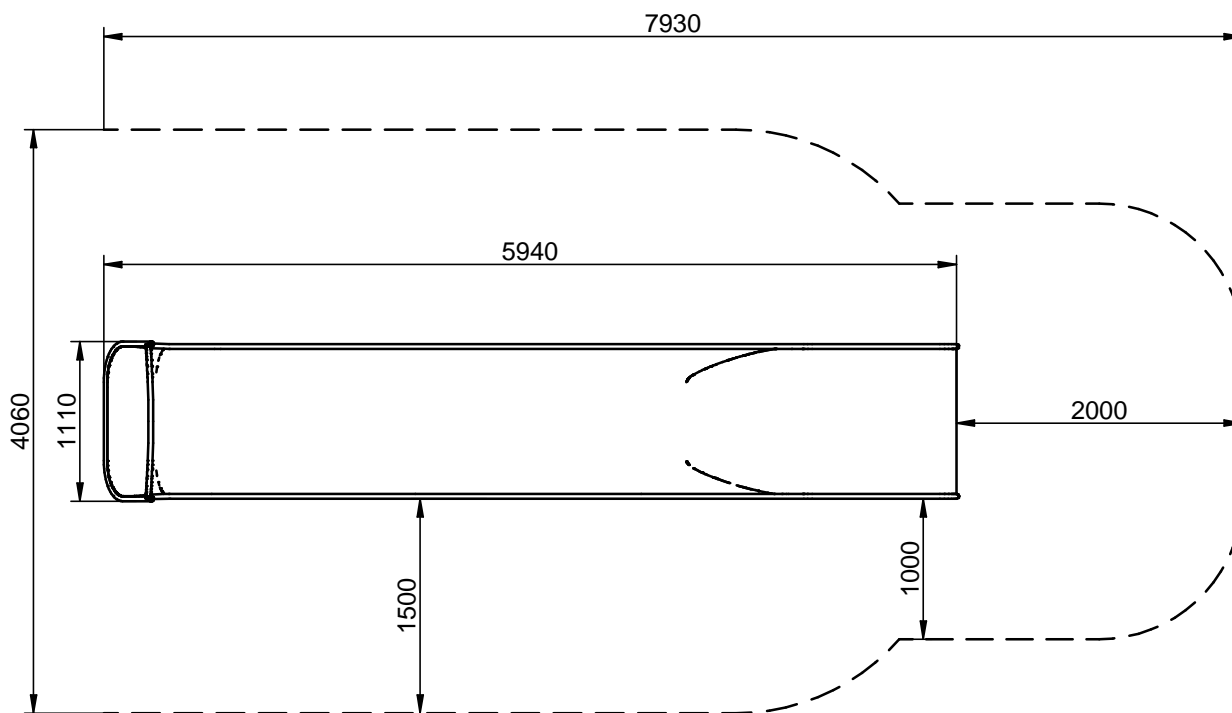
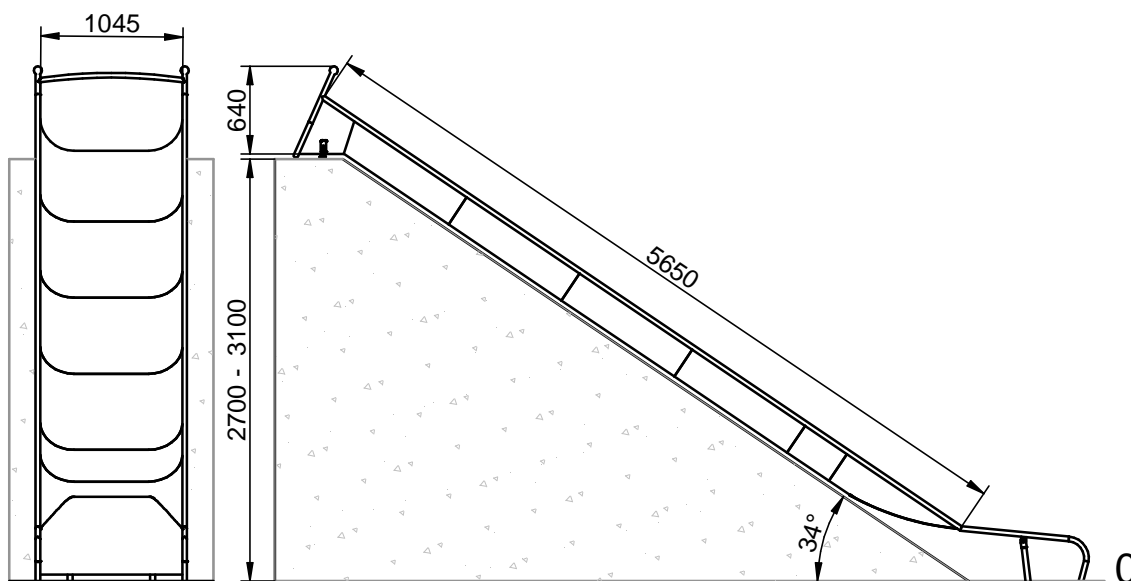
Stotal = 23m² H= 1 m



Stotal = 26m² H= 1 m



Stotal = 29m² H= 1 m



Stotal = 33m² H= 1 m