

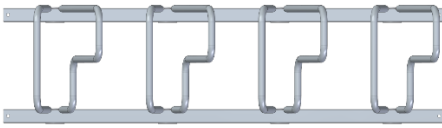
CubiQ Standard



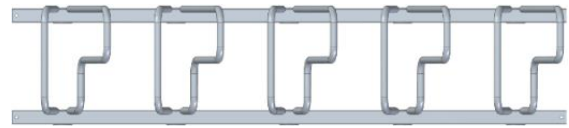
Table of Contents

CubiQ Standard, välitys 420 mm	2
CubiQ Standard, välitys 500 mm	3
CubiQ Standard, välitys 600 mm	4
CubiQ Standard tolpat maahan kiinnittämistä varten	Error! Bookmark not defined.

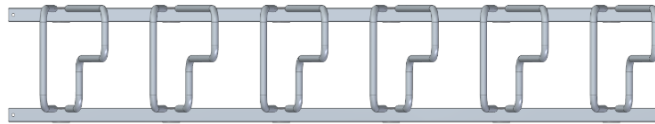
CubiQ Standard, spacing 420 mm



1-sided, 4 bikes / 1645 mm
2-sided, 8 bikes / 1645 mm



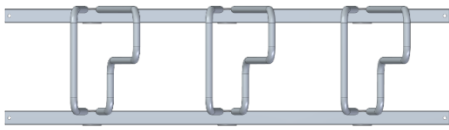
1-sided, 5 bikes / 2055 mm
2-sided, 10 bikes / 2055 mm



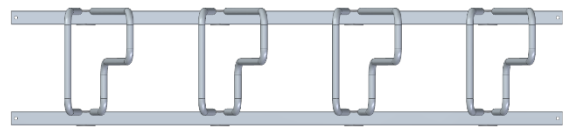
1-sided, 6 bikes / 2470 mm
2-sided, 12 bikes / 2470 mm

CubiQ Standard 1- and 2-sided, on-centre spacing 420 mm	
Measurements (no. of bikes / length of rack)	1-sided: 4 / 1645 mm, 5 / 2055 mm, 6 / 2470 mm 2-sided: 8 / 1645 mm, 10 / 2055 mm, 12 / 2470 mm
Depth	1-sided: 760 mm 2-sided: 1460 mm
Height	439 mm
Materials	Steel
Material thickness	Diameter of arch tubing: 25 mm
Surface treatment	Options: hot-dip galvanized & powder-coated / zinc primed & powder-coated
Standard colours	FinBin Black 1945 (textured metal black), RAL 7024 (graphite grey), RAL 9005 (black) / DB703 (textured dark grey). Ask our customer service for other colours. Accentuated dual colouring is also available: the arches or one of the arches can be a different colour than the rest of the rack.
Mounting options	- Posts embedded in concrete - Surface-mounted posts - Wall mount
Accessories	Special colour
Original design	Henri Sydänheimo
Manufactured by / in	Lehtovuori Oy / Finland

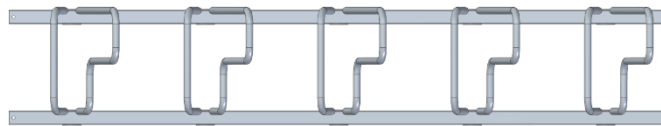
CubiQ Standard, spacing 500 mm



1-sided, 3 bikes / 1645 mm
2-sided, 6 bikes / 1645 mm



1-sided, 4 bikes / 2055 mm
2-sided, 8 bikes / 2055 mm

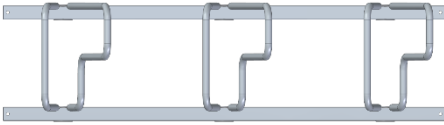


1-sided, 5 bikes / 2470 mm
2-sided, 10 bikes / 2470 mm

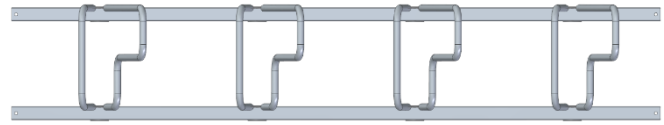
CubiQ Standard 1- and 2-sided, on-centre spacing 500 mm

Measurements (no. of bikes / length of rack)	1-sided: 3 / 1645 mm, 4 / 2055 mm, 5 / 2470 mm 2-sided: 6 / 1645 mm, 8 / 2055 mm, 10 / 2470 mm
Depth	1-sided: 760 mm 2-sided: 1460 mm
Height	439 mm
Materials	Steel
Material thickness	Diameter of arch tubing: 25 mm
Surface treatment	Options: hot-dip galvanized & powder-coated / zinc primed & powder-coated
Standard colours	FinBin Black 1945 (textured metal black), RAL 7024 (graphite grey), RAL 9005 (black) / DB703 (textured dark grey). Ask our customer service for other colours. Accentuated dual colouring is also available: the arches or one of the arches can be a different colour than the rest of the rack.
Mounting options	- Posts embedded in concrete - Surface-mounted posts - Wall mount
Accessories	Special colour
Original design	Henri Sydänheimo
Manufactured by / in	Lehtovuori Oy / Finland

CubiQ Standard, spacing 600 mm



1-sided, 3 bikes / 1645 mm
2-sided, 6 bikes / 1645 mm

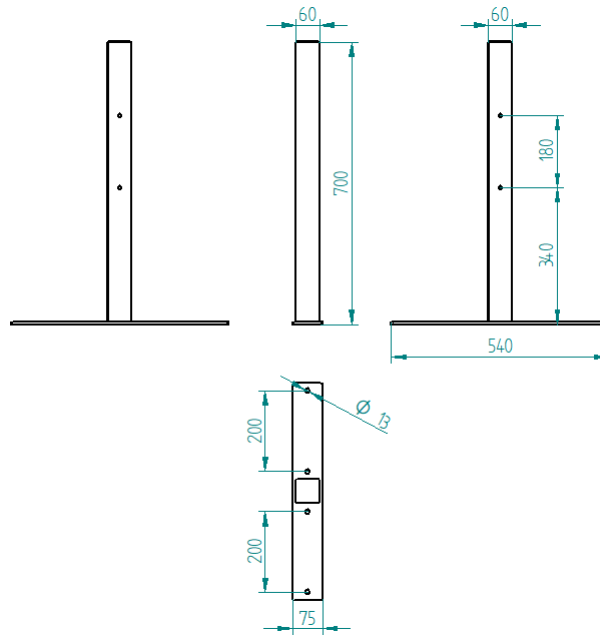


1-sided, 4 bikes / 2470 mm
2-sided, 8 bikes / 2470 mm

CubiQ Standard 1- and 2-sided, on-centre spacing 600 mm	
Measurements (no. of bikes / length of rack)	1-sided: 3 / 1645 mm, 4 / 2470 mm 2-sided: 6 / 1645 mm, 8 / 2470 mm
Depth	1-sided: 760 mm 2-sided: 1460 mm
Height	439 mm
Materials	Steel
Material thickness	Diameter of arch tubing: 25 mm
Surface treatment	Options: hot-dip galvanized & powder-coated / zinc primed & powder-coated
Standard colours	FinBin Black 1945 (textured metal black), RAL 7024 (graphite grey), RAL 9005 (black) / DB703 (textured dark grey). Ask our customer service for other colours. Accentuated dual colouring is also available: the arches or one of the arches can be a different colour than the rest of the rack.
Mounting options	- Posts embedded in concrete - Surface-mounted posts - Wall mount
Accessories	Special colour
Original design	Henri Sydänheimo
Manufactured by / in	Lehtovuori Oy / Finland

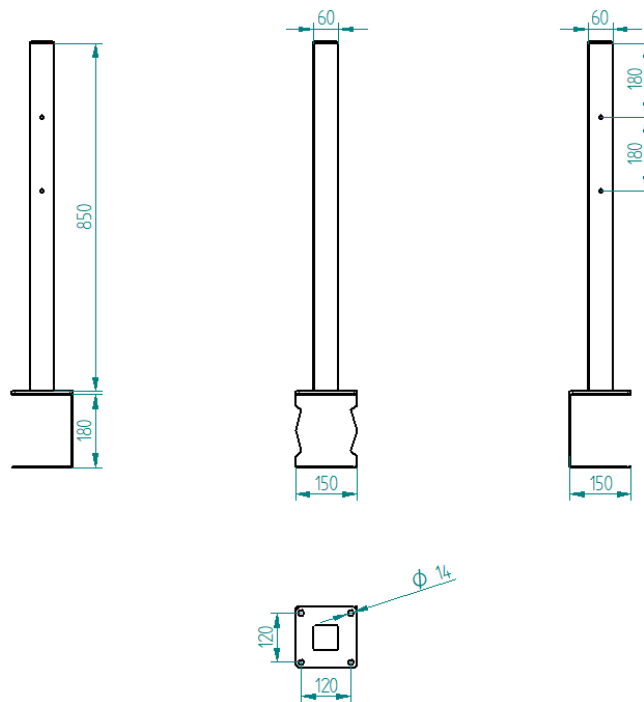
CubiQ Premium anchoring posts

CubiQ post for surface mounting



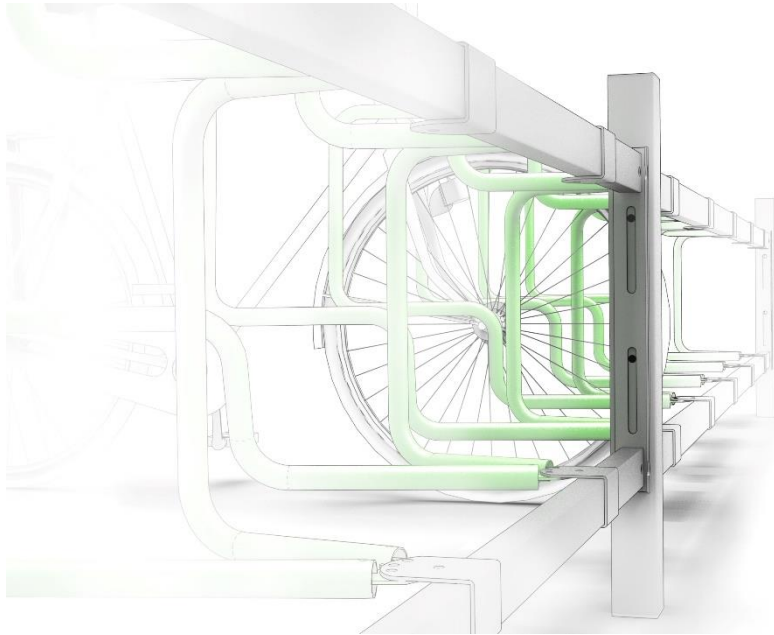
Serves as the centre and end post for the rack.

CubiQ concrete embedded post



Serves as the centre and end post for the rack.

A more detailed picture of the rack height adjuster and its connection to the posts



CubiQ end and centre post, surface mount or concrete embed	
Measurements	Surface mount: 700*60*60 mm (mounting flange 540*75 mm) Concrete embed: 1050*60*60 mm. Visible height above ground 700 mm.
Materials	Steel
Material thickness	60*60 mm
Surface treatment	Options: hot-dip galvanized & powder-coated / zinc primed & powder-coated
Standard colours	FinBin Black 1945 (textured metal black), RAL 7024 (graphite grey), RAL 9005 (black) / / DB703 (textured dark grey). Ask our customer service for other colours. Accentuated dual colouring is also available: the arches or one of the arches can be a different colour than the rest of the rack.
Notes	The posts come with a height- and width-adjustable bracket that allows the rack to be positioned on site. The product is modular, allowing post-installation extension of the bike rack assembly.
Accessories	Special colour
Original design	Henri Sydänheimo
Manufactured by / in	Lehtovuori Oy / Finland